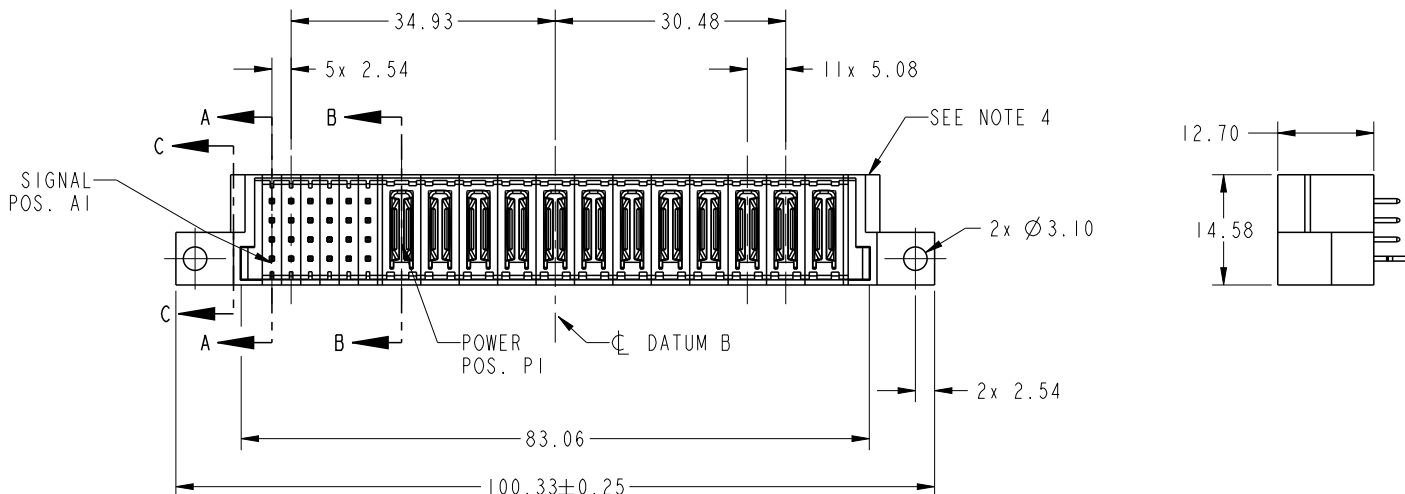
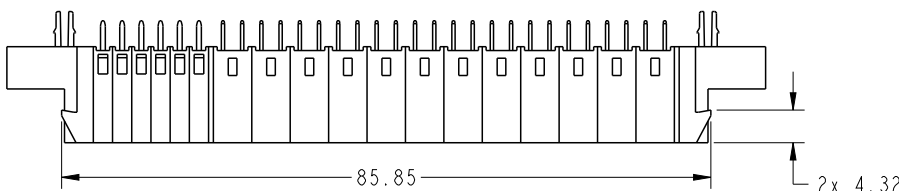


PRODUCT NO.	ROWS	SIGNAL						POWER						E2				
		E1	1	2	3	4	5	6	P1	P2	P3	P4	P5		P6	P7	P8	P9
51952-258-- NOTE ③	D C B A																	



CODE	DIM "M" MATING LENGTH	CONTACT TYPE
E	[6.86]	SIGNAL
PA	[N/A]	POWER
HA	[N/A]	HOLD-DOWN

spec ref	See Notes			dr	Ruan MT	2013/08/15	projection 	MM ←→	size	A4	scale	1:1	
tolerance std	TOLERANCES UNLESS OTHERWISE SPECIFIED			eng	Ruan MT	2013/09/12			ecn no	ELX-DG-15828-1			
See Notes				chr	-	-			product family	PwrBlade		rel level	Released
surface	✓	linear	0.X	±0.50		24S+12P	VERTICAL SOLDER HEADER	dwg no	51952-258		rev	B	
			0.XX	±0.25									
			0.XXX	±0.10									
		angular	0°	±2°	www.fci.com	cat. no.	&model_name	Product - Customer Drw			sheet 1 of 4		



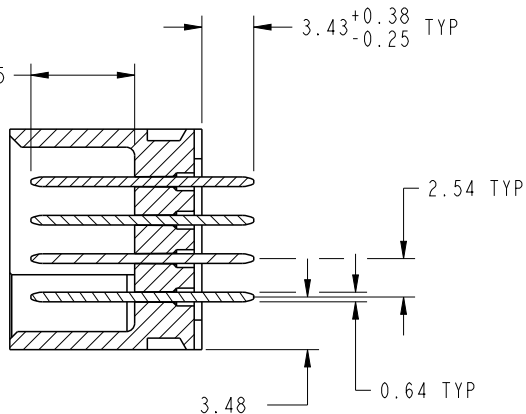
Copyright FCI.

PrdE File - REV C - 2009-06-09

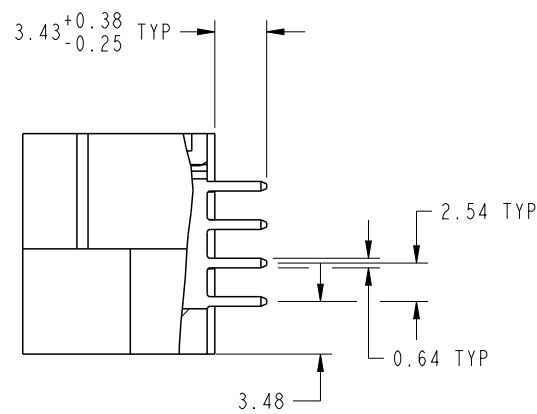
PRODUCT NUMBER

51952-258--
NOTE 3

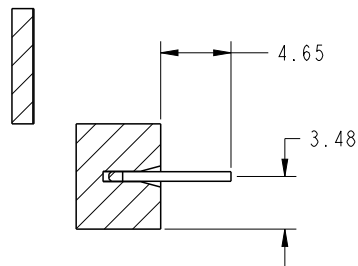
DIM "M" ±0.25



SECTION A-A
SCALE 2:1



SECTION B-B
SCALE 2:1



SECTION C-C
SCALE 2:1

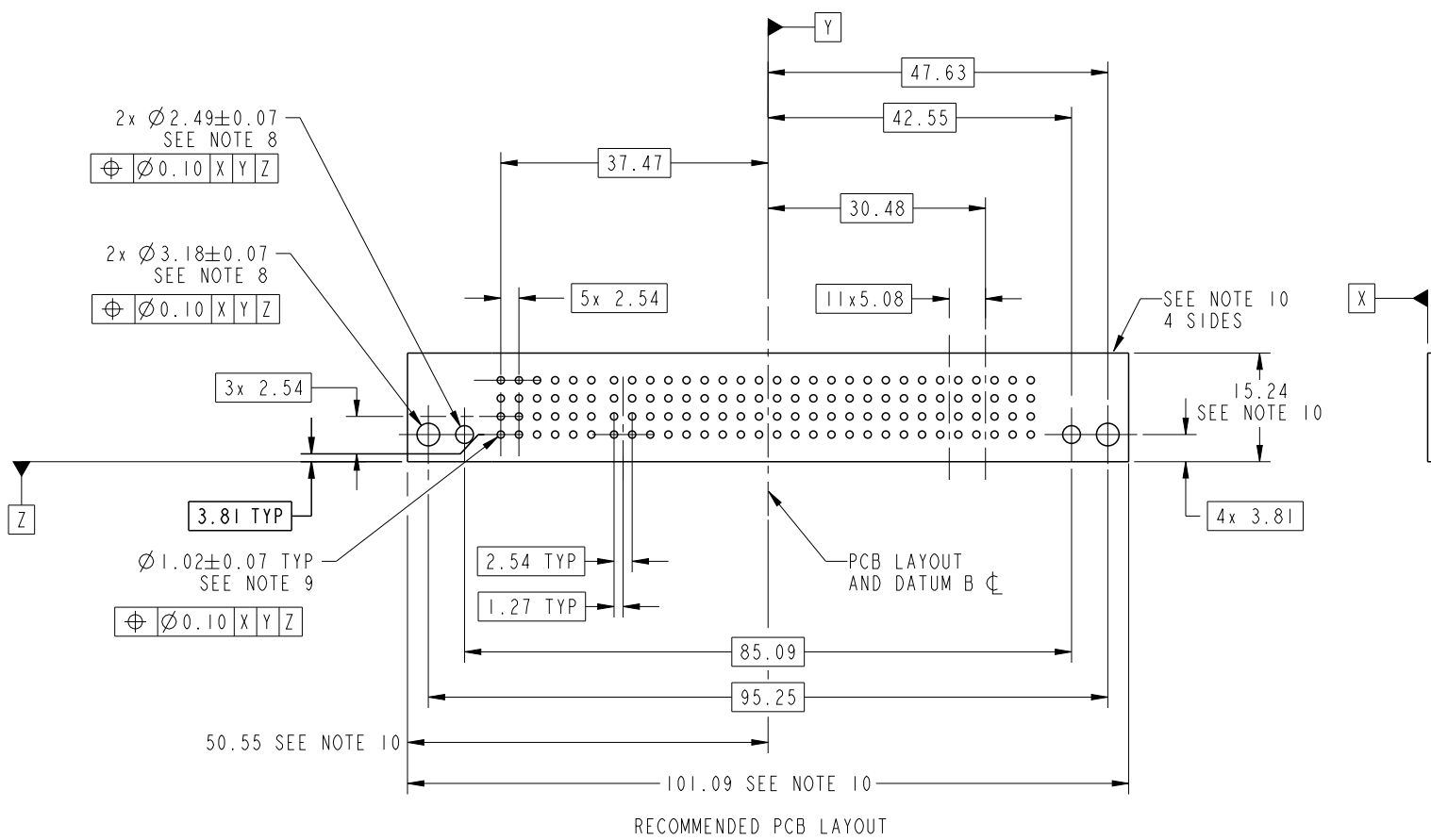
dr	Ruan MT	2013/08/15	projection 	MM 	size	A4	scale	1:1
eng	Ruan MT	2013/09/12			ecn no	ELX-DG-15828-1		
chr	-	-			product family	PwrBlade	rel level	Released
appr	Pei-Ming Zheng	2013/09/13			title 24S+12P VERTICAL SOLDER HEADER	dwg no 51952-258	rev B	
www.fci.com		cat. no.	&model_name	Product - Customer Drw			sheet 2 of 4	



Copyright FCI.

PRODUCT NUMBER

51952-258__
NOTE 3



Copyright FCI.

dr	Ruan MT	2013/08/15	projection 	MM 	size	A4	scale	1:1			
eng	Ruan MT	2013/09/12			ecn no	ELX-DG-15828-1					
chr	-	-			product family	PwrBlade	rel level	Released			
appr	Pei-Ming Zheng	2013/09/13	FCI		title	24S+12P VERTICAL SOLDER HEADER		dwg no	51952-258	rev	B
www.fci.com		cat. no.	&model_name	Product - Customer Drw			sheet 3 of 4				

PRODUCT NUMBER

51952-258__
NOTE 3

NOTES:

1. DIMENSIONS AND TOLERANCES ARE IN ACCORDANCE WITH ASME Y14.5M, 1994 UNLESS OTHERWISE SPECIFIED.

CONNECTOR NOTES:

- ② HOUSING MATERIAL: UL 94 V-0 GLASS FILLED HIGH-TEMP THERMOPLASTIC
POWER CONTACT MATERIAL: COPPER ALLOY
SIGNAL PIN MATERIAL: COPPER ALLOY
- 3. SEE ITEM 1 & 2 IN PRINT 10064183 FOR PLATING SPEC OF 51952-258 AND 51952-258LF RESPECTIVELY.

④ MANUFACTURER'S NAME, DATE CODE AND OPTIONAL P/N TO APPEAR ON THIS SURFACE. THE MARK CAN BE OMITTED IF THERE IS NOT ENOUGH SPACE ON THIS SURFACE.

5. PRODUCT SPECIFICATION GS-12-149.
APPLICATION SPECIFICATION BUS-20-067.

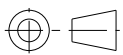
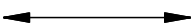
6. PACKAGED IN TRAYS.

PCB NOTES:

- 7. ALL HOLE DIAMETERS ARE FINISHED HOLE SIZE.
- 8. MOUNTING HOLES, WHERE APPLICABLE, ARE UNPLATED.

⑨ $\varnothing 1.151 \pm 0.025$ DRILLED HOLES PLATED WITH 0.008 MIN SnPb OR Sn OVER .001 [0.03] TO 0.08 Cu PLATING TO ACHIEVE $\varnothing 1.02 \pm 0.07$ HOLE.

⑩ CONNECTOR KEEP-OUT ZONE.

dr	Ruan MT	2013/08/15	projection 	MM 	size	A4	scale	1:1			
eng	Ruan MT	2013/09/12			ecn no	ELX-DG-15828-1					
chr	-	-			product family	PwrBlade	rel level	Released			
appr	Pei-Ming Zheng	2013/09/13	FCj		title	24S+12P		dwg no	51952-258	rev	B
www.fci.com		cat. no.	&model_name		Product - Customer Drw			sheet 4 of 4			



Copyright FCI.