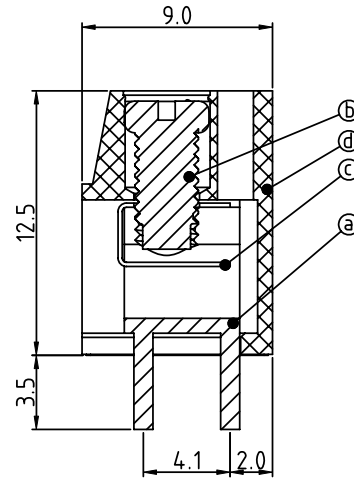
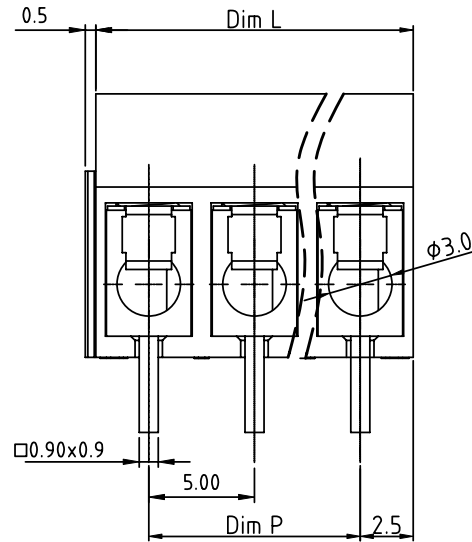
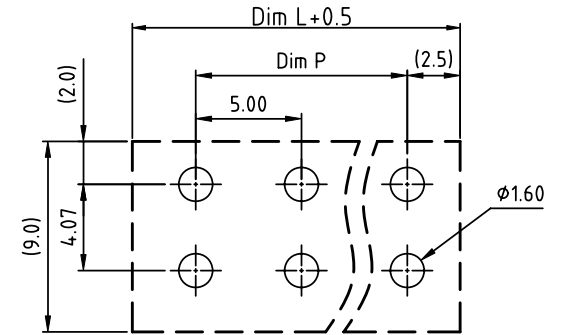
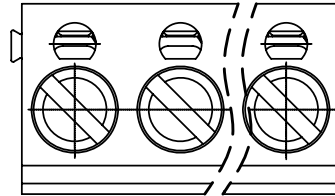


PRODUCT NUMBER	PITCH
VAxx01x000J0G	5.00mm



RECOMMENDED P.C.B LAYOUT
TOP VIEW

Material

- Item (a) Terminal body: Brass(CuZn), Tin plated
- Item (b) Terminal screw: Steel Zinc plating "-" slot type
- Item (c) Wire guard: Stainless steel
- Item (d) Terminal housing: Thermoplastic (UL94V-0)

Electrical cULus

- Voltage rating: 300VAC
- Current rating: 15A
- Wire range:
- Solid wire(AWG): 14-22
- Stranded wire(AWG): 14-22
- Torque: 3.5lb-in
- Screw: M3
- Wire strip length: 6-7mm
- Withstanding Voltage: 1.6KV
- Operating temperature: -40°C to +115°C
- Soldering temperature: 260°C±5°C/5 Sec
- Safety Approval:

N = Number of poles
Dim L=Nx5.0
Dim P=(N-1)x5.0

Poles	Dim L	Dim P
2-6p	±0.15	±0.10
7-12p	±0.20	±0.20
13-18p	±0.30	±0.25
19-24p	±0.40	±0.30

PART NO.: VA xx 01 x 0 00J0 G

End stackable	0	Black (RAL9005)	RoHS compliant (lead<4% in copper Alloy)
No. of poles	2	Red (RAL3001/D)	
02	2 poles	3 Orange(RAL2011/P)	
03	3 poles	4 Yellow(RAL1018/A)	
...	...	5 Green(RAL6018/T)	
24	24 poles	6 Blue (RAL5015/A)	
		8 Grey(RAL7035/D)	
		9 White(RAL1102)	
		C Green(RAL6018/U)	

mat'l. code		surface ASME Y14.5 ✓	tolerance ASME Y14.5	projection 	product family TERMINAL BLOCK
ltr	ecn no	dr	date	tolerances unless otherwise specified	title TERMINAL BLOCK
				angles X°±1°	WIRE PROTECTOR,180D WIRE INLET
				finishes X.XX±0.1	scale MM
				dr EVIN ZHONG 033114	dwg no VAxx01x000J0G
				enrg EVIN ZHONG 033114	sheet 1 of 1 size A4
				chr HANKE FENG 033114	type CUSTOMER Drawing
				appd SHI JUN 033114	
sheet index	revision sheet	A	1		