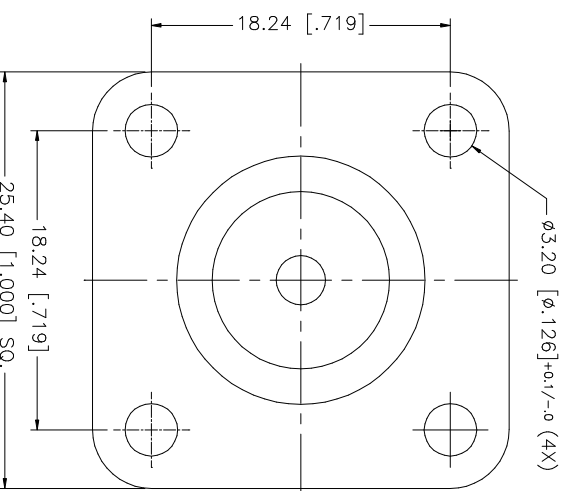
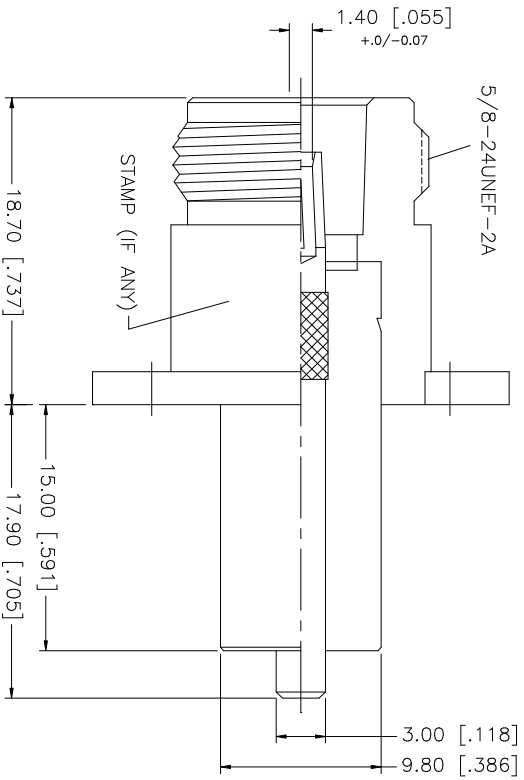


REV.	DATE	DESCRIPTION
NC	06/24/03	INITIAL RELEASE



8																			
7																			
6																			
5																			
4																			
3	CONTACT PIN	BER. COPPER	GOLD	1															
2	INSULATOR	TEFLON	NATURAL	1															
1	BODY	BRASS	NECOTE	1															
DESCRIPTION		MATERIAL		FINISH		QTY		UNLESS OTHERWISE SPECIFIED DIMENSIONS ARE IN MILLIMETERS. DIMENSIONS IN [] ARE IN INCHES AND FOR CUSTOMER REFERENCE ONLY. UNLESS OTHERWISE SPECIFIED TOLERANCES FOR MILLIMETERS ARE: 0.5 - 8mm ± 0.20mm 8 - 30mm ± 0.40mm 30 - 120mm ± 0.50mm UNLESS OTHERWISE SPECIFIED TOLERANCES FOR INCHES ARE: .020 - .315 = ± 0.007" .315 - 1.180 = ± 0.015" 1.180 - 4.724 = ± 0.020" DO NOT SCALE DRAWING											
APPROVALS					DATE														
DRAWN G.R.S.					06/24/03														
CHECKED																			
ISSUED																			
SHEET 1 OF 1																			
CAD FILE C:/172/172228-14.DWG																			
DWG. NO. 172228-14.DWG					REV. NC					SIZE A					SCALE NA				
Amphenol Connex PART DESCRIPTION N PANEL RECEPTACLE JACK (EXTENDED FLANGE) PART NO. 172228-14																			