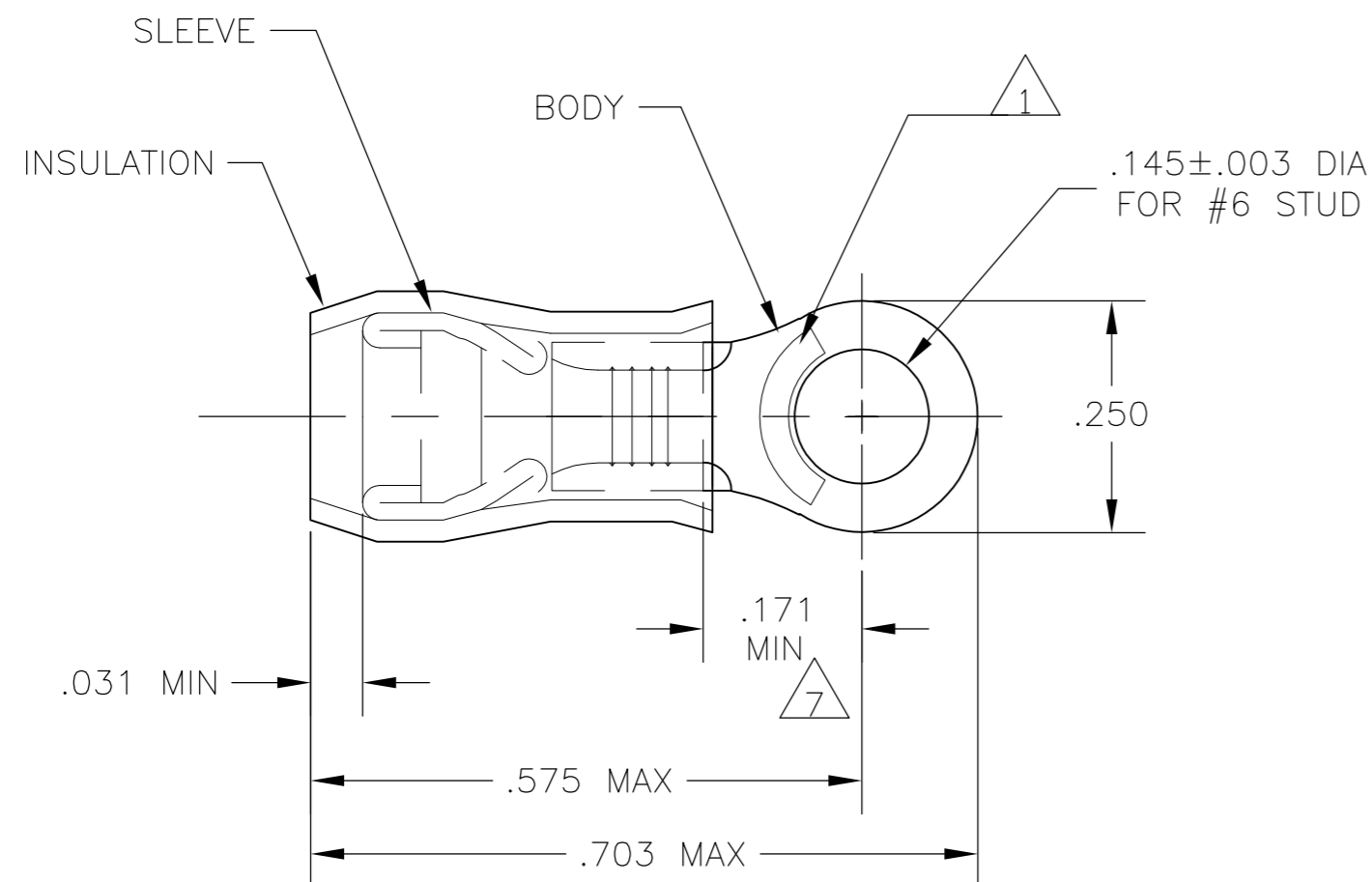
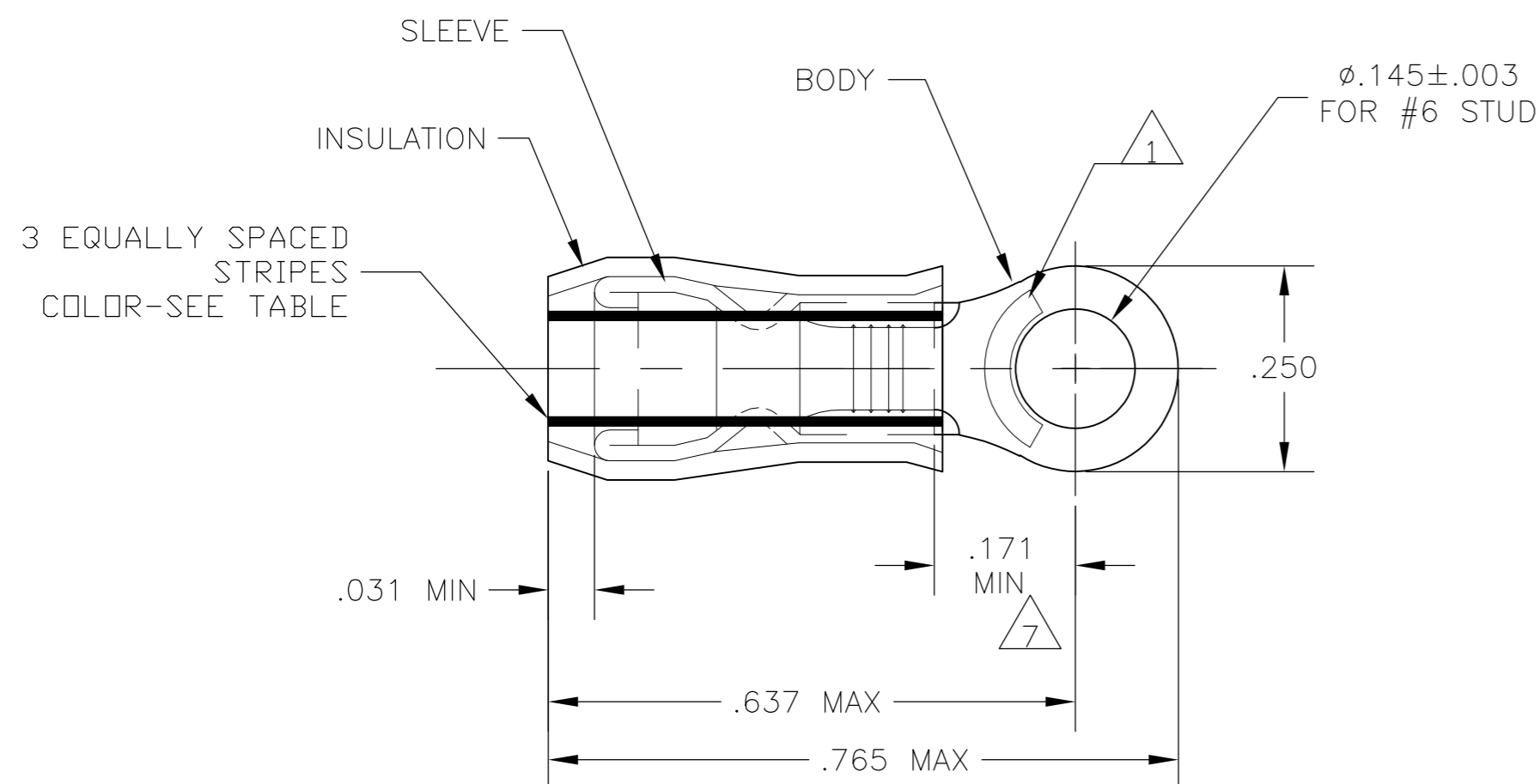


THIS DRAWING IS UNPUBLISHED. RELEASED FOR PUBLICATION
 © COPYRIGHT - By - ALL RIGHTS RESERVED.

LOC	DIST	REVISIONS			
P	LTR	DESCRIPTION	DATE	DWN	APVD
G	14				
	N2	REVISED PER ECO-11-004587	11MAR11	RK	HMR



STYLE A



STYLE B
INSULATION RESTRICTING

AMP WIRE RANGE	E13288 Listed	LR7189 Certified
16-14 AWG SOLID OR STRANDED	16-14 AWG SOLID OR STRANDED	16-14 AWG SOLID OR STRANDED

- 1 STAMP "AMP - SEE TABLE" APPROX AS SHOWN
- 2 WIRE INSULATION DIA: SEE TABLE
- 3 TONGUE MATERIAL THK: .031±.002
- 4 BODY: TIN PLATE .000100 MIN EXT THK PER ASTM B545
- 5 SLEEVE: TIN PLATE .000100 MIN EXT THK PER ASTM B545
- 6 BODY & SLEEVE- CU PER ASTM B152
INSULATION - NYLON PER ASTM D4066
COLOR - BLUE
- 7 APPLIES FROM EDGE OF METAL WIRE BARREL TO CENTER OF STUD HOLE.
- 8 MEETS MS25036-106, CLASS 1 & 2
- 9 MEETS MS25036-106, CLASS 2
- 10 MEETS M7928/1-39, CLASS 1 & 2
- 11 MEETS M7928/1-48, CLASS 1 & 2

QTY	PACKAGE TYPE	STAMPING	WIRE DIA	WIRE SIZE	STRIPE COLOR	STYLE	BODY FINISH	SLEEVE FINISH	PART NO
100	LOOSE PIECE	16	.063-.130	16	BLUE	B			9-320561-1
100	LOOSE PIECE, BOX	16-14	.105-.150	16-14	--	A			8-320561-1
500	320561-3 ON TAPE	16	.063-.130	16	BLUE	B			2-320561-5
500	LOOSE PIECE	14	.078-.130	14	GREEN	B	4	5	11 2-320561-4
500	LOOSE PIECE	16	.063-.130	16	BLUE	B			10 2-320561-3
5000	320561 ON TAPE	16-14	.105-.150	16-14	--	A			9 2-320561-2
500	LOOSE PIECE	16-14	.105-.150	16-14	--	A			8 320561

CUSTOMER SERVICE SYSTEMS		MAX RECOMMENDED OPERATING TEMPERATURE: 105°C MAX	THIS DRAWING IS A CONTROLLED DOCUMENT.		DWN JR RUTH 13JAN10	TE Connectivity	
FOR ADDITIONAL PRODUCT INFORMATION OR COPIES OF DRAWINGS AND TECHNICAL DOCUMENTS	PRODUCT INFORMATION CENTER 1-800-522-6752	VOLTAGE RATING: 300 VOLT MAX	DIMENSIONS: INCHES	TOLERANCES UNLESS OTHERWISE SPECIFIED:	CHK T MICHIELUTTI 13JAN10	NAME	
FOR APPLICATION TOOLING INFORMATION	TOOLING ASSISTANCE CENTER 1-800-722-1111	CIRCULAR MIL AREA: 1.02-2.62mm² [2,050-5,180] STRANDED OR SOLID		0 PLC ± - 1 PLC ± - 2 PLC ± - 3 PLC ± .008 4 PLC ± - ANGLES ± -	APVD T MICHIELUTTI 13JAN10	TERMINAL, RING TONGUE, PIDG WIRE SIZE: 16-14 AWG	
FOR ORDER ENTRY	1-800-526-5142	THIS DRAWING IS A CONTROLLED DOCUMENT FOR AMP INCORPORATED. IT IS SUBJECT TO CHANGE AND THE CONTROLLING ENGINEERING ORGANIZATION SHOULD BE CONTACTED FOR THE LATEST REVISION.	MATERIAL - 6	FINISH SEE TABLE	PRODUCT SPEC -	APPLICATION SPEC -	RESTRICTED TO -
				WEIGHT -	SIZE A2	CAGE CODE 00779	DRAWING NO C-320561
				CUSTOMER DRAWING	SCALE 5:1	SHEET 1 of 1	REV N2