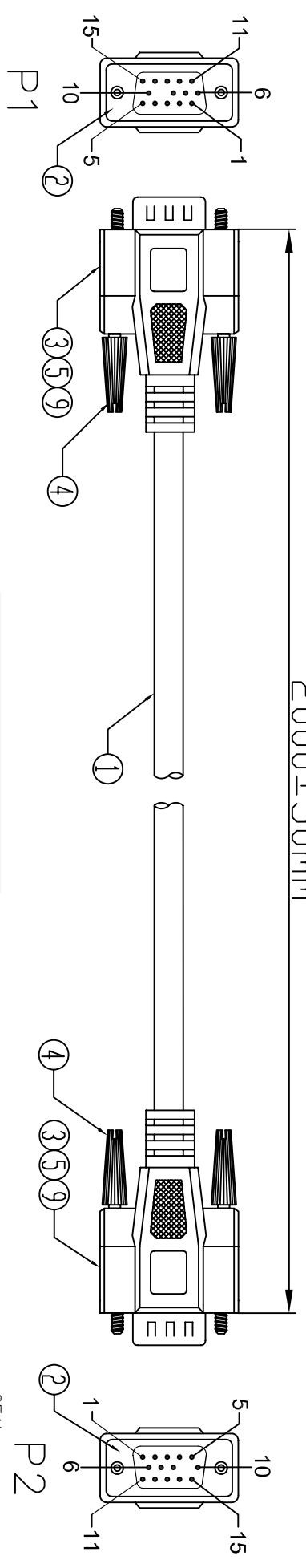
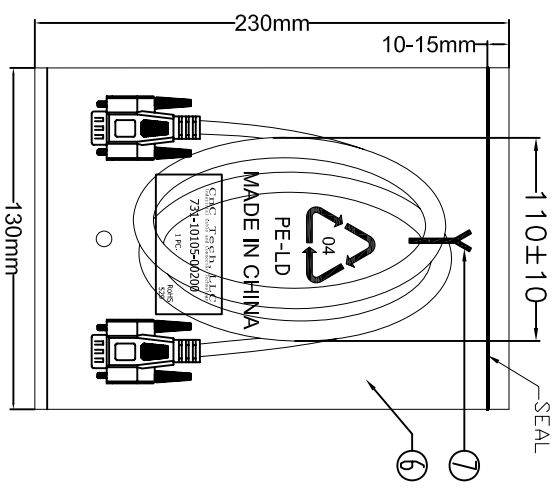


UNIT:mm



Electronic Test:
 1. 100% Test,(Open,Short, Miss Wire)
 2. Contact Resistance:2 ohm max.
 3. Insulation Resistance:5M ohm min.
 4. Hi-Pot:300V DC/10ms

PIN ASSIGNMENT			
P1	P2		
1	white	1	white
2	grey	2	grey
3	yellow	3	yellow
4	pink	4	pink
5	orange	5	orange
6	red	6	red
7	brown	7	brown
8	green	8	green
10	blue	10	blue
11	purple	11	purple
12	light green	12	light green
13	light blue	13	light blue
14	black	14	black
15	white/black	15	white/black
	Shell		Shell
	drain		drain



⑨	TUBE	2	HEAT SHRINK TUBE BLACK OD1.5*L=15MM
⑧	PE BAG	1/10	CLEAR SIZE:280*330*0.05mm PRINT BLACK"MADE IN CHINA"+"10PCS".
⑦	TIE	1	WHITE L=120mm
⑥	PE BAG	1	CLEAR SIZE:130*230*0.05mm PRINT BLACK"MADE IN CHINA".
⑤	COPPER FOIL	2	DOUBLE-SIDED CONDUCTIVE COPPER FOIL 18U" W25mm*155mm
④	SCREW	4	SCREW:#4-40UNC L47mm,NICKEL PLATED,INSULATION COLOR BEIGE(V-29)
③	OUT JACKET	43.5g	BEIGE(V-29) 40P PVC(MOULD NO:WW-113)
②	IN JACKET	8g	CLEAR LDPE(MOULD NO:NM-049)
①	CONN	1	HDD15P MALE,PIN G/F,SHELL-NICKEL,INSULATION COLOR:BLUE. MISSING 9PIN SOLDER TYPE.
①	CABLE	1	NOUL 28AWG(7/0.12TC)*14C+AL/MY+D.W(7/0.12 TC) OUTER JACKET COROL:BEIGE(V-29) OD:6.0±0.15mm. L=2000±20mm.

CNC Tech, LLC
 Industrial Cable and Connector Technology

DRAWN BY	ZHONGHS	DRAWING NO.	
CHECKED BY		CUSTOMER	
APPROVAL BY		ITEM NO.	731-10105-00200
DECIDE BY		DATE	2011-2-02-07
VERSIONS/EDITION	A/0	PROJECTION	

4 3 2 1