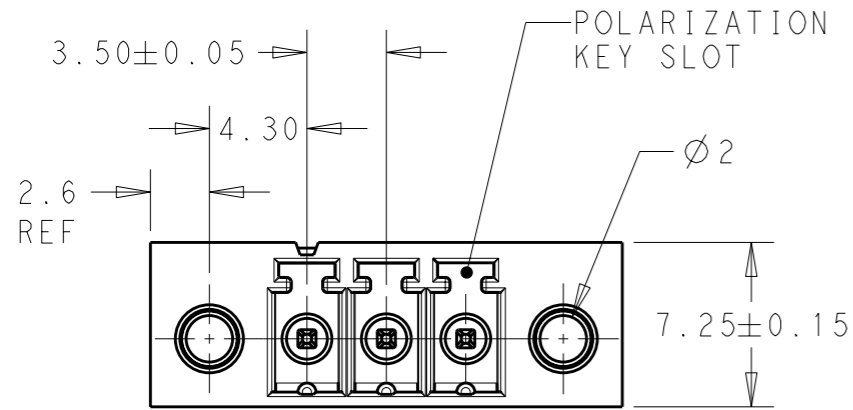


THIS DRAWING IS UNPUBLISHED. RELEASED FOR PUBLICATION 20

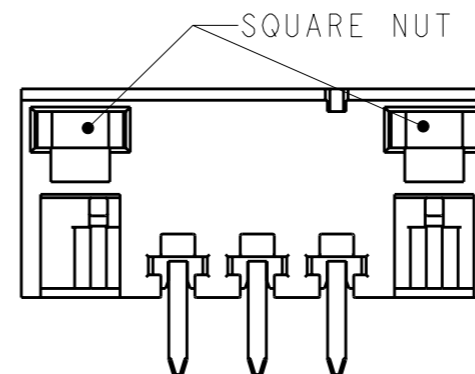
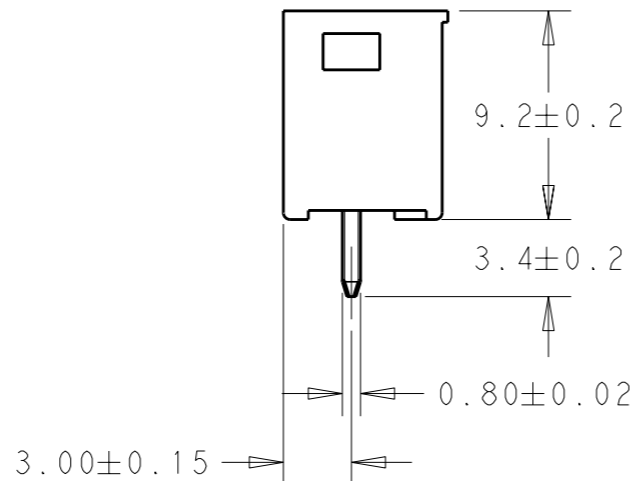
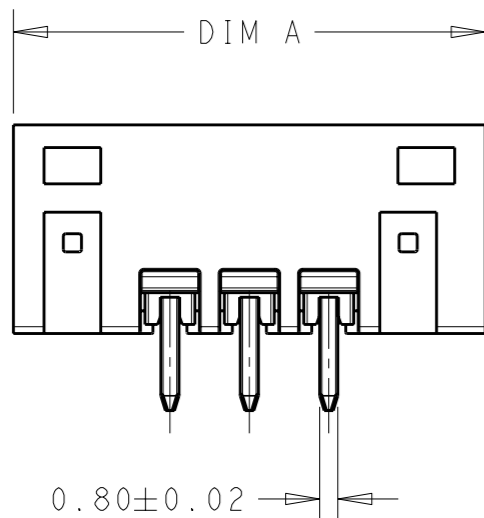
© COPYRIGHT 20 BY TYCO ELECTRONICS CORPORATION. ALL INTERNATIONAL RIGHTS RESERVED.

LOC	DIST	REVISIONS				
P	LTR	DESCRIPTION	DATE	DWN	APVD	
-	-	01	REVISED PER ECO-09-027788	06JAN2010	SS	CR

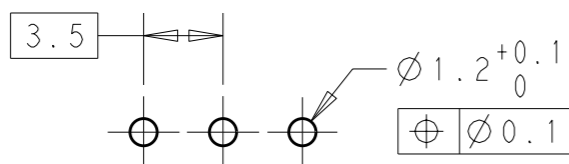


1 MATERIALS AND FINISH:
 HOUSING: HIGH TEMPERATURE POLYAMIDE, UL94V-0,
 COLOR: BLACK.
 TERMINAL: PHOSPHOR BRONZE, TIN PLATED.

- 2. CONNECTOR ASSEMBLY INCLUDED 2 SQUARE NUTS LOADED IN CAVITY.
- 3. SUITABLE FOR 1.6-2.4mm PC BOARD THICKNESS.
- 4. UL RATING: 300V, 11A.



52.3	12	1-177132-2
48.8	11	1-177132-1
45.3	10	1-177132-0
41.8	9	177132-9
38.3	8	177132-8
34.8	7	177132-7
31.3	6	177132-6
27.8	5	177132-5
24.3	4	177132-4
20.8	3	177132-3
17.3	2	177132-2
DIM A	NO OF POS.	PART NUMBER



RECOMMENDED PC BOARD LAYOUT

THIS DRAWING IS A CONTROLLED DOCUMENT FOR TYCO ELECTRONICS CORPORATION. IT IS SUBJECT TO CHANGE AND THE CONTROLLING ENGINEERING ORGANIZATION SHOULD BE CONTACTED FOR THE LATEST REVISION.		DWN S. SCHLEGEL 06JAN2010	Tyco Electronics Harrisburg, PA 17105-3608	
DIMENSIONS: mm	TOLERANCES UNLESS OTHERWISE SPECIFIED: 0 PLC ±- 1 PLC ±0.3 2 PLC ±0.25 3 PLC ±- 4 PLC ±- ANGLES ±2	CHK C RICHARD 06JAN2010	NAME TERMINAL BLOCK HEADER ASSEMBLY, STRAIGHT, W/ THREADED FLG, 3.5mm PITCH	
		APVD C RICHARD 06JAN2010		
MATERIAL	FINISH	PRODUCT SPEC	SIZE A3	CAGE CODE 00779
		APPLICATION SPEC	DRAWING NO C-1776132	RESTRICTED TO
		WEIGHT	SCALE 3:1	
CUSTOMER DRAWING		SHEET 1 OF 1		REV 01