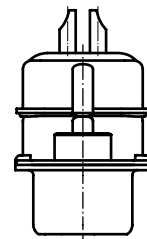
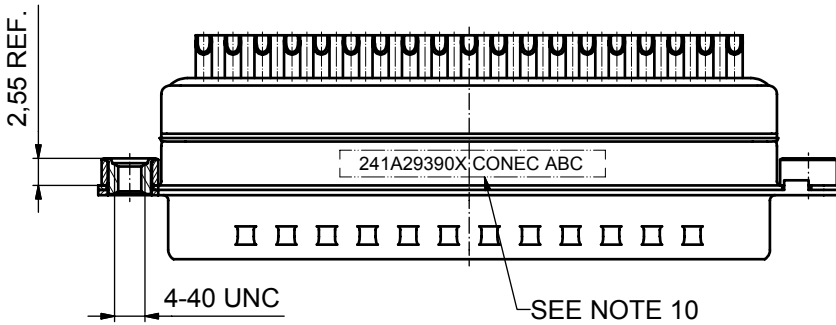
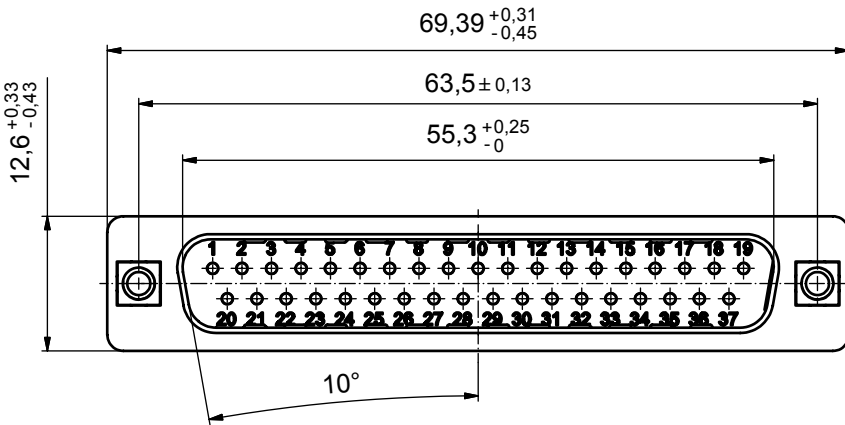
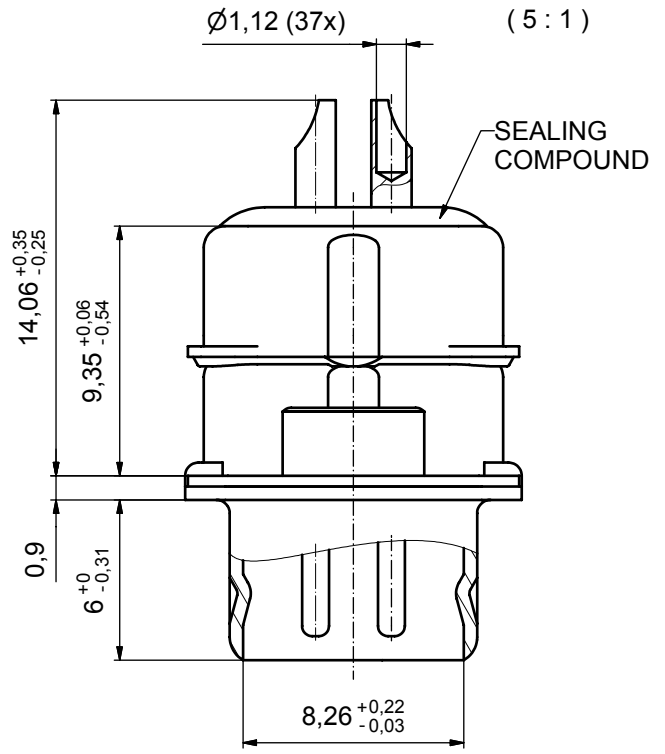


NOTES:

1. RoHS COMPLIANT
2. METALSHELLS: STEEL; min. 315µin TIN over 40-80µin NICKEL
3. INSULATORS: HIGH TEMPERATURE PLASTIC UL 94 V-0, BLACK
4. CONTACTS: COPPER ALLOY
PLATING: 8µin HARD GOLD over min. 50µin NICKEL
SOLDER CUP ACCEPTS CABLE AWG 20
5. THREADED INSERT: COPPER ALLOY; min 200µin TIN over 80µin NICKEL
6. COLLAR: COPPER ALLOY; min. 200µin TIN over 80µin NICKEL
7. CAPACITANCE: 2 x 1300pF ±20%
8. DIELECTRIC WITHSTANDING VOLTAGE: 300 VDC
9. MAXIMUM TORQUE VALUE FOR THREAD: 6 in.LB
10. CONNECTOR IS PART MARKED: 241A29390X CONEC ABC



Directive 2002/95/EC
-RoHS-
Compliant

APPROVAL # FREIGABE # DEBLOCAGE # AUTORIZACION # APPROVAL	
CUSTOMER APPROVAL DATE:	
NAME:	TITLE:
COMPANY NAME:	
APPROVAL # FREIGABE # DEBLOCAGE # AUTORIZACION # APPROVAL	

THIS DRAWING MAY NOT BE COPIED OR REPRODUCED IN ANY WAY, AND MAY NOT BE PASSED ON TO A THIRD PARTY WITHOUT WRITTEN PERMISSION. OWNERSHIP AND COPYRIGHT OF CONEC GmbH DO NOT ALTER CAD DRAWING BY HAND				tolerance		dim. in mm
				date	name	
				drawn	21.10.09 Sonnenberg	
				appd.	23.10.09 Fischer	
norm						
d-old						
a	Origin					
rev.	description	date	name			
CONEC [®]						

scale: 2:1 (5:1)	
material: SEE NOTES	
title: D-SUB PI FILTER MALE 37pos. SOLDER CUP with threaded insert	
dwg no: Inventor 10	DIN-A3
24K1A1209	
part no: 241A29390X	sh: 1