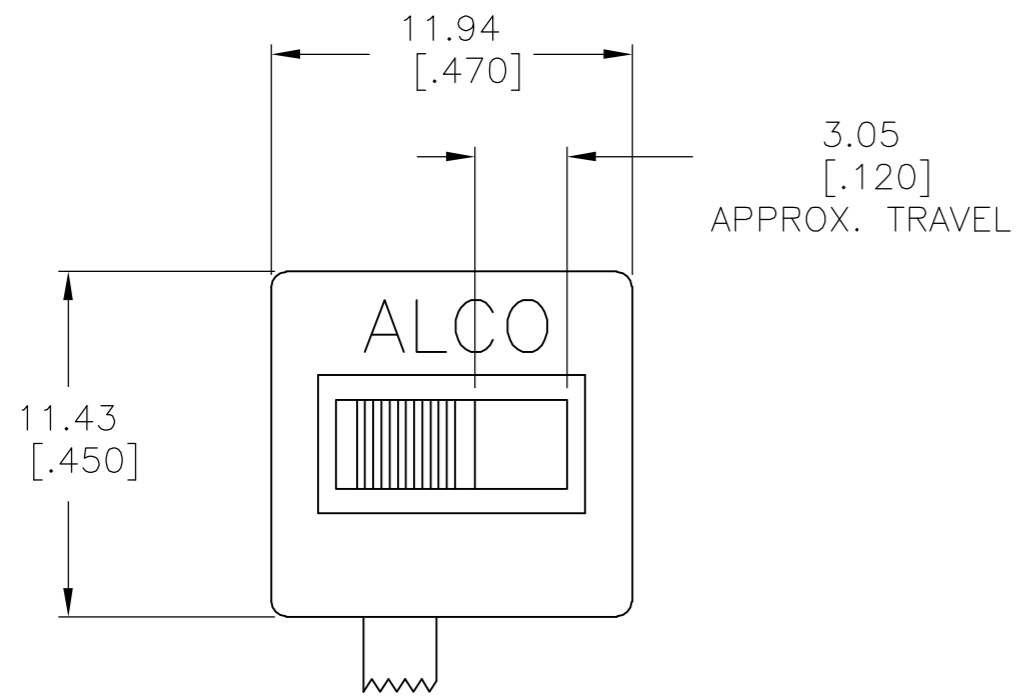


THIS DRAWING IS UNPUBLISHED. RELEASED FOR PUBLICATION
 © COPYRIGHT BY TYCO ELECTRONICS CORPORATION. ALL RIGHTS RESERVED.

Loc		DIST		REVISIONS			
P	LTR	DESCRIPTION		DATE	DWN	APVD	
	B1	REVISED PER ECO-05-009527		17MAY06	GS	MS	



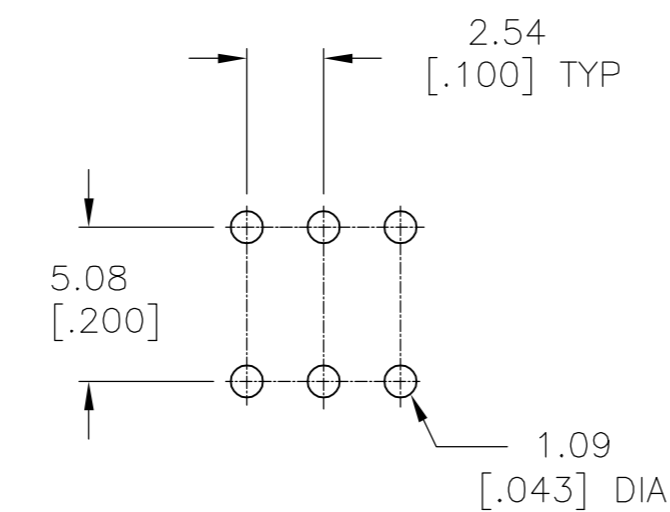
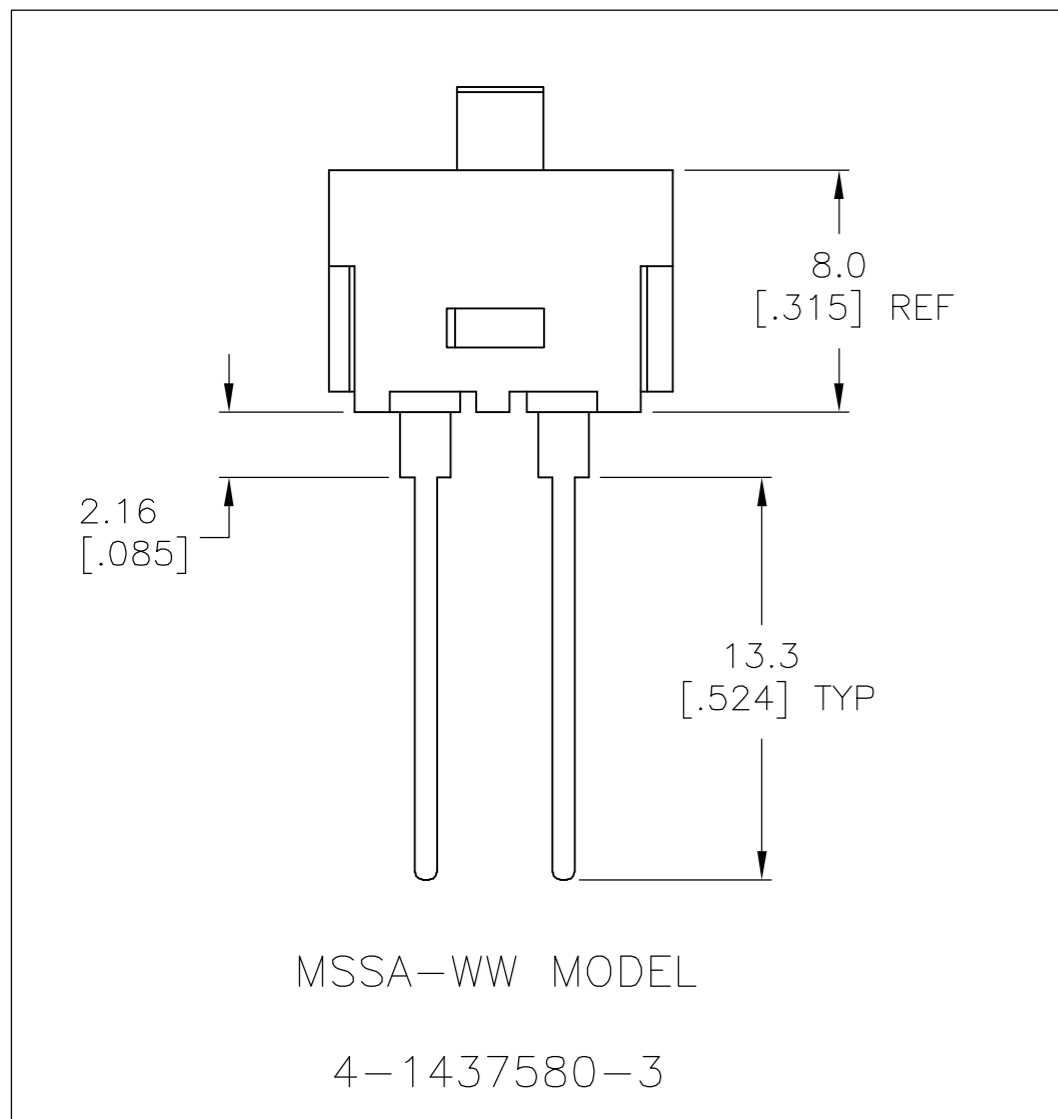
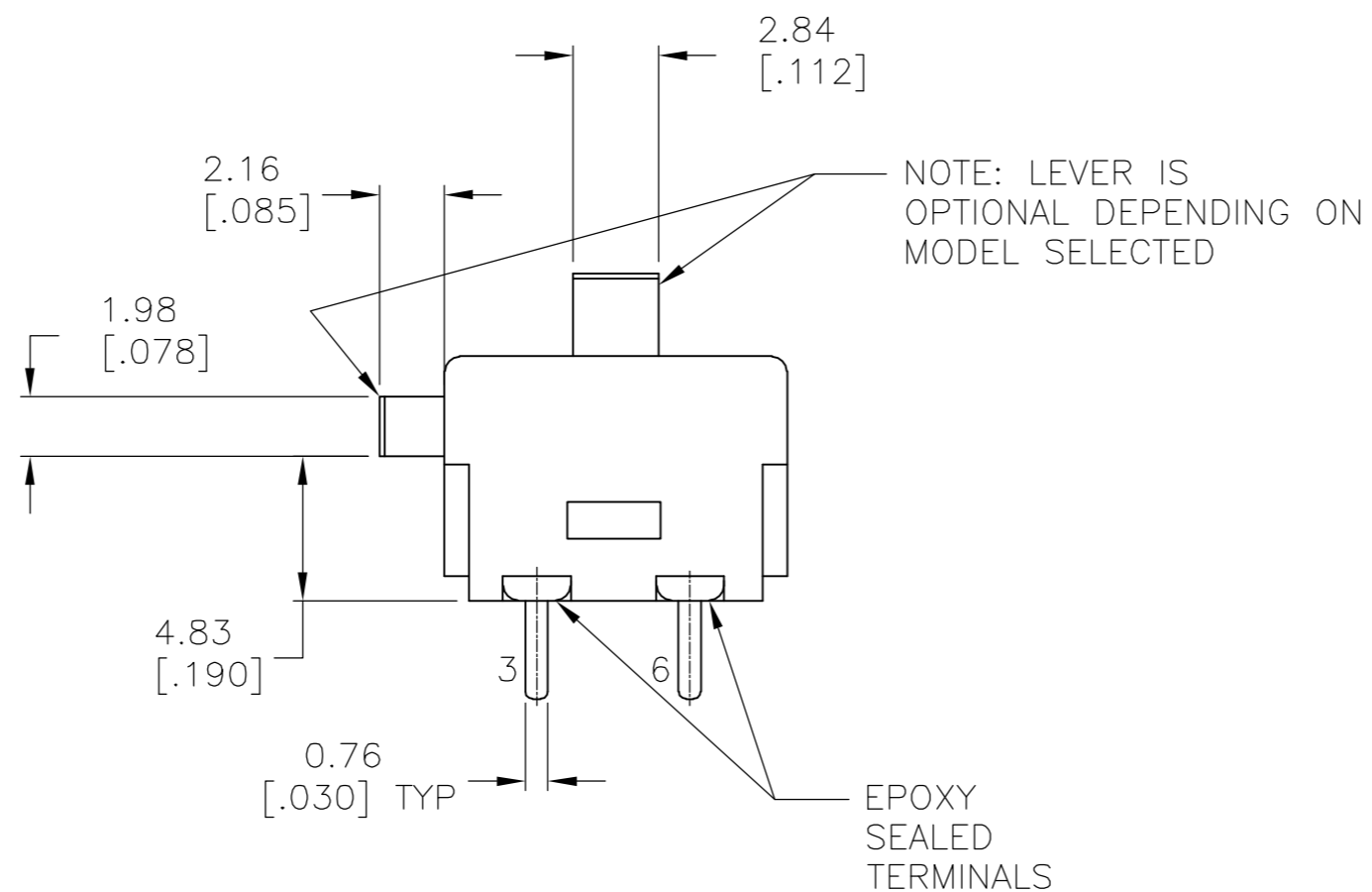
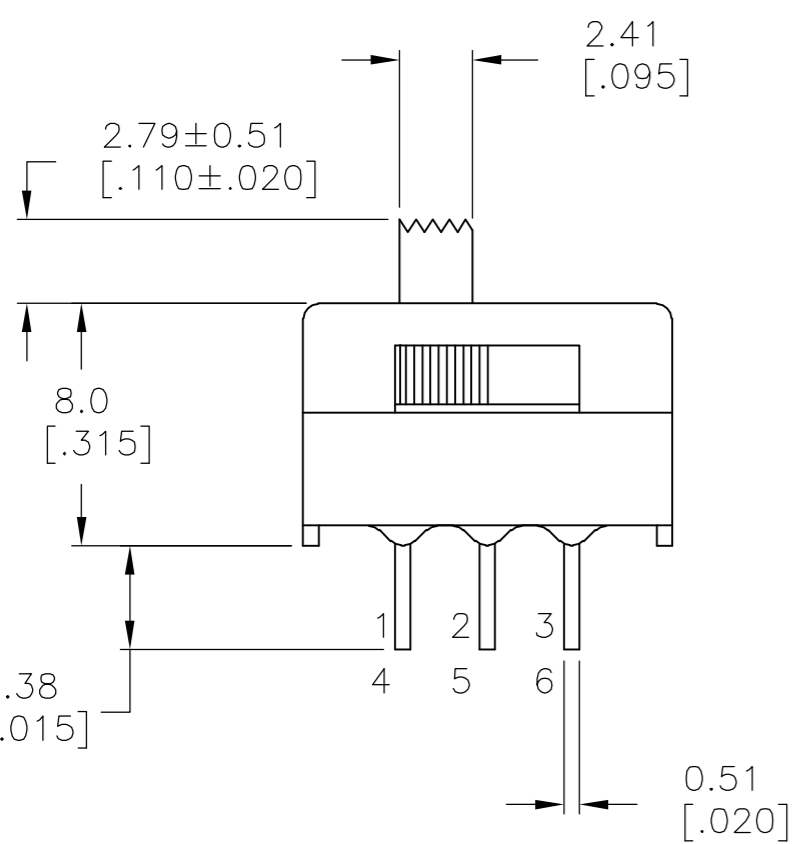
SPECIFICATIONS:
 BREAK-BEFORE-MAKE

MATERIAL:
 SLIDER, GLASS FILLED NYLON, UL94-HB, BLACK.
 BASE, GLASS FILLED PBT, BLUE.
 COVER, GLASS FILLED PBT, BLUE.
 SLIDE PLATE, STAINLESS STEEL.
 ACTUATOR, PPS, BLACK.
 ROCKER CONTACT(GOLD), COPPER ALLOY, GOLD OVER NICKEL PLATING.
 ROCKER CONTACT(SILVER), COPPER ALLOY PLUS COINED SILVER.
 FIXED CONTACT/TERMINAL (GOLD), COPPER ALLOY, GOLD OVER NICKEL PLATE.
 FIXED CONTACT/TERMINAL(SILVER), COPPER ALLOY PLUS COINED SILVER, GOLD OVER NICKEL PLATE.

ELECTRICAL:
 CONTACT RATING(SILVER)-3A@115V AC OR 1.5A@230V AC
 CONTACT RATING(GOLD)-.4VA MAX@20V DC OR PEAK AC
 INITIAL CONTACT RESISTANCE-20 MILLIOHMS MAX.
 INSULATION RESISTANCE-1,000 MEGOHMS MIN @ 500V DC
 DIELECTRIC STRENGTH- 500 V RMS @ SEA LEVEL.
 LIFE EXPECTANCY- 30,000 OPERATIONS.

MECHANICAL:
 OPERATING FORCE- 600+/-300 GRAMS.
 TRAVEL-.120

ENVIRONMENTAL:
 OPERATING TEMPERATURE- -20°C TO +65°C
 STORAGE TEMPERATURE- -40°C TO +100°C
 SOLDER HEAT RESISTANCE- PER 109-202 CONDITION B.
 SOLDERABILITY PER EIA 364-52, CLASS 2, CATAGORY 1.



2-3,5-6	NONE	2-1,5-4	SILVER	MSSA204PI	4-1437580-8
2-3,5-6	NONE	2-1,5-4	SILVER	MSSA204P	4-1437580-7
2-3,5-6	NONE	2-1,5-4	SILVER	MSSA204NRA	4-1437580-6
2-3,5-6	NONE	2-1,5-4	SILVER	MSSA204NI	4-1437580-5
2-3,5-6	NONE	2-1,5-4	SILVER	MSSA204N	4-1437580-4
2-3,5-6	NONE	2-1,5-4	GOLD	MSSA20INGWW	4-1437580-3
2-3,5-6	NONE	2-1,5-4	GOLD	MSSA20INGRA	4-1437580-2
2-3,5-6	NONE	2-1,5-4	GOLD	MSSA20ING	4-1437580-1
			PLATING	ALCO PART NO.	TYCO PART NO.

DIMENSIONS:		TOLERANCES UNLESS OTHERWISE SPECIFIED:		APVD		NAME	
mm	[INCHES]	0 PLC	± -	22DEC80	DWN	Tyco Electronics Corporation	
		1 PLC	± -	24DEC80	CHK	Harrisburg, Pa 17105-3608	
		2 PLC	± 0.25[.010]		APVD	SLIDE SWITCH DP & DPRA	
		3 PLC	± -		PRODUCT SPEC	SIZE	CAGE CODE
		4 PLC	± -		APPLICATION SPEC	A2	00779
		ANGLES	± -			DRAWING NO	RESTRICTED TO
		FINISH	-			C=4-1437580-1	-
MATERIAL				WEIGHT		SCALE	
-				-		4:1	
CUSTOMER DRAWING				SHEET		REV	
				1 OF 1		B1	