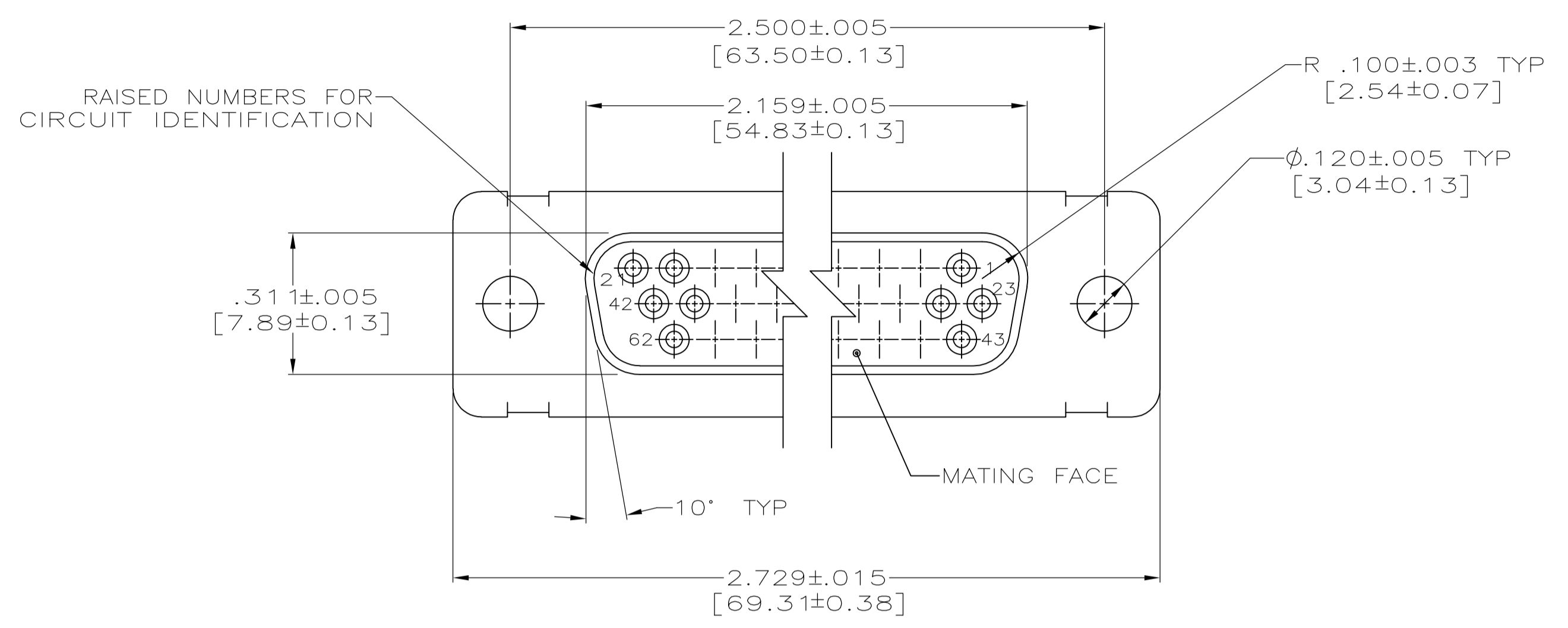
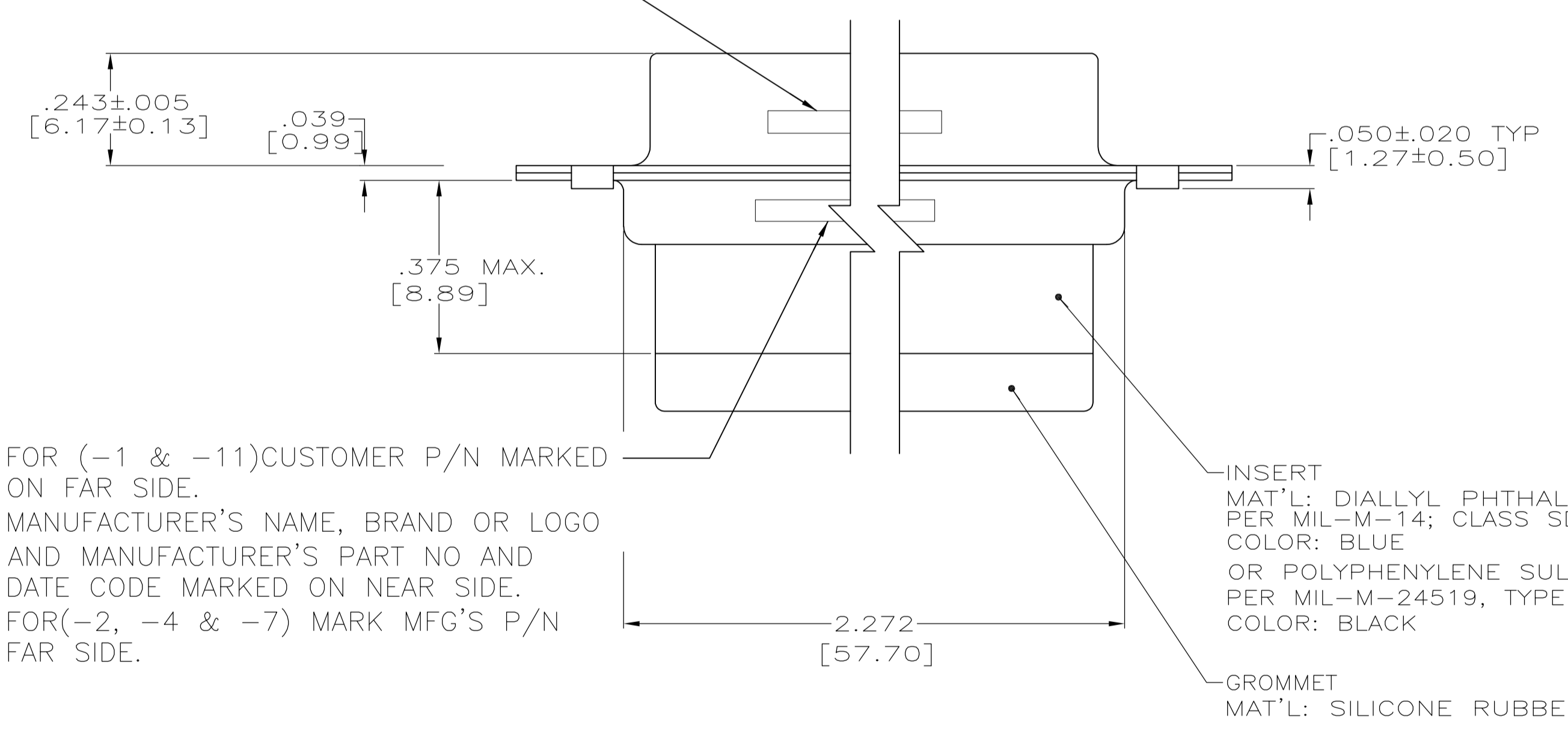


1. THIS RECEPTACLE WILL MATE WITH ANY SIZE 4, 62 POSN. PLUG IN AMPLIMITE SERIES.
  2. CONNECTOR SUPPLIED WITHOUT CONTACTS; SHOWN FOR ILLUSTRATION ONLY.
  3. BE-CU RETENTION CLIPS ARE INCLUDED IN INSERT AND INSTALLED WITH TINES POINTING TOWARDS MATING FACE.
  4. OVERALL DIMENSIONS DO NOT INCLUDE RAISED CAVITY IDENTIFICATION.
- ⚠ MARKING FAR SIDE REFERS TO WIDE SIDE OF KEYSTONE. NEAR SIDE REFERS TO NARROW SIDE OF KEYSTONE  
 ⚠ 100% INSPECTION REQUIRED PER BOEING 1B01:  
 A. VISUAL  
 B. DWV  
 C. IR  
 ⚠ CUSTOMER REQUIRES SINGLE LOT DATE CODE.  
 ⚠ SPECIAL REQUIREMENTS:  
 A. TEST TWO CONNECTORS PER LOT FOR COMPLIANCE TO GROMMET PEEL STRENGTH REQUIREMENTS.  
 B. TEST ALL CIRCUIT CAVITIES FOR MISALIGNMENT OR EXCESSIVE ADHESIVE.

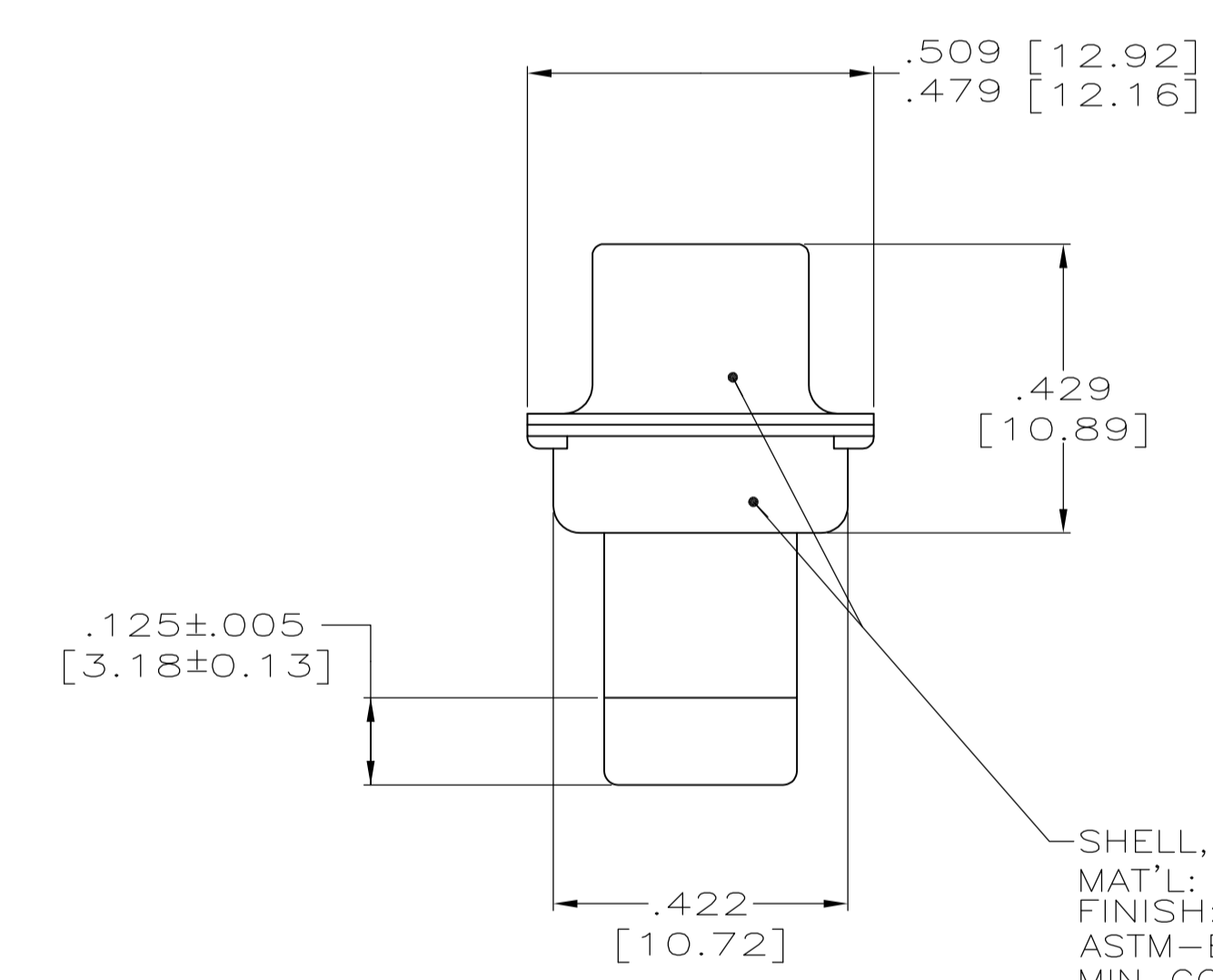


⚠ FOR (-2, -4 & -7) MARK MFG'S NAME, BRAND OR LOGO AND DATE CODE FAR SIDE. CUSTOMER P/N MARKED NEAR SIDE

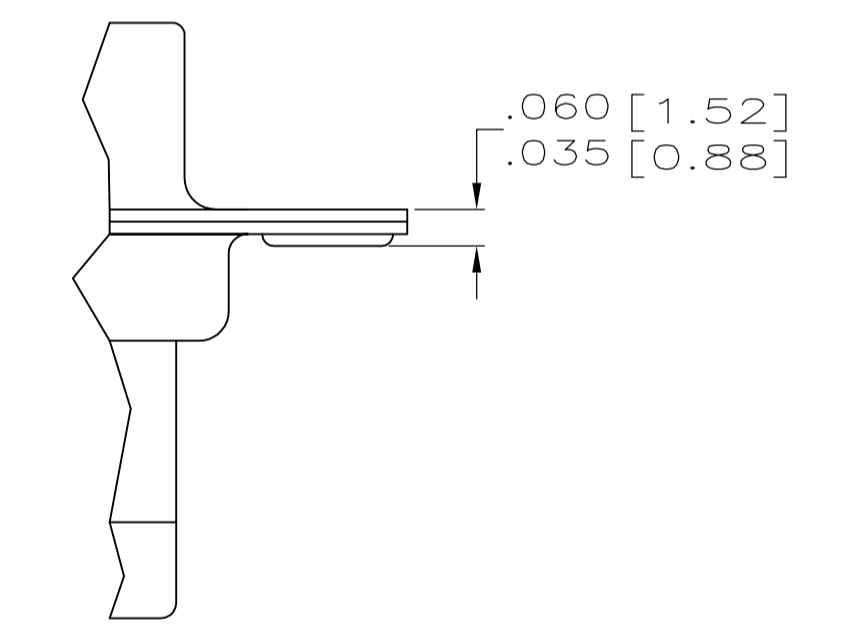


⚠ FOR (-1 & -11) CUSTOMER P/N MARKED ON FAR SIDE. MANUFACTURER'S NAME, BRAND OR LOGO AND MANUFACTURER'S PART NO AND DATE CODE MARKED ON NEAR SIDE. FOR (-2, -4 & -7) MARK MFG'S P/N FAR SIDE.

INSERT  
 MAT'L: DIALLYL PHTHALATE PER MIL-M-14; CLASS SDG-F  
 COLOR: BLUE  
 OR POLYPHENYLENE SULFIDE (PPS) PER MIL-M-24519, TYPE GST-40F  
 COLOR: BLACK  
 GROMMET  
 MAT'L: SILICONE RUBBER



SHELL, FRONT & REAR  
 MAT'L: BRASS PER ASTM B-19  
 FINISH: GOLD PLATED PER ASTM-B-488 OVER 0.000100 MIN COPPER PER AMS 2418



ALTERNATE CLINCH VIEW -4 ONLY

⚠	1B01-028RHW	1-211670-1
⚠	B010648-0008	211670-7
	-	211670-4
⚠	2A065-022V-001	211670-2
⚠	1B01-028	211670-1
REMARKS	CUSTOMER PART NO.	PART NO.

THIS DRAWING IS A CONTROLLED DOCUMENT.

DIMENSIONS: INCHES	TOLERANCES UNLESS OTHERWISE SPECIFIED:	DIN C.C. THOMAS 4-3-90	REV R. GILMAN 8-31-92
0 PLC ± -	1 PLC ± -	APVD F. KINSEY 8-31-92	NAME
2 PLC ± -	3 PLC ± .010 (0.25)	PRODUCT SPEC	RCPT. ASS'Y, AMPLIMITE, 62 POSN., SIZE 4, SERIES 90, NON-MAGNETIC WITH GROMMET
4 PLC ± -	ANGLES ± ± 0° 30'	APPLICATION SPEC	SIZE CAGE CODE DRAWING NO RESTRICTED TO
MATERIAL SEE CALLOUTS	FINISH SEE CALLOUTS	WEIGHT	A1 00779 C=211670
CUSTOMER DRAWING		SCALE 4:1	SHEET 1 OF 1 REV K