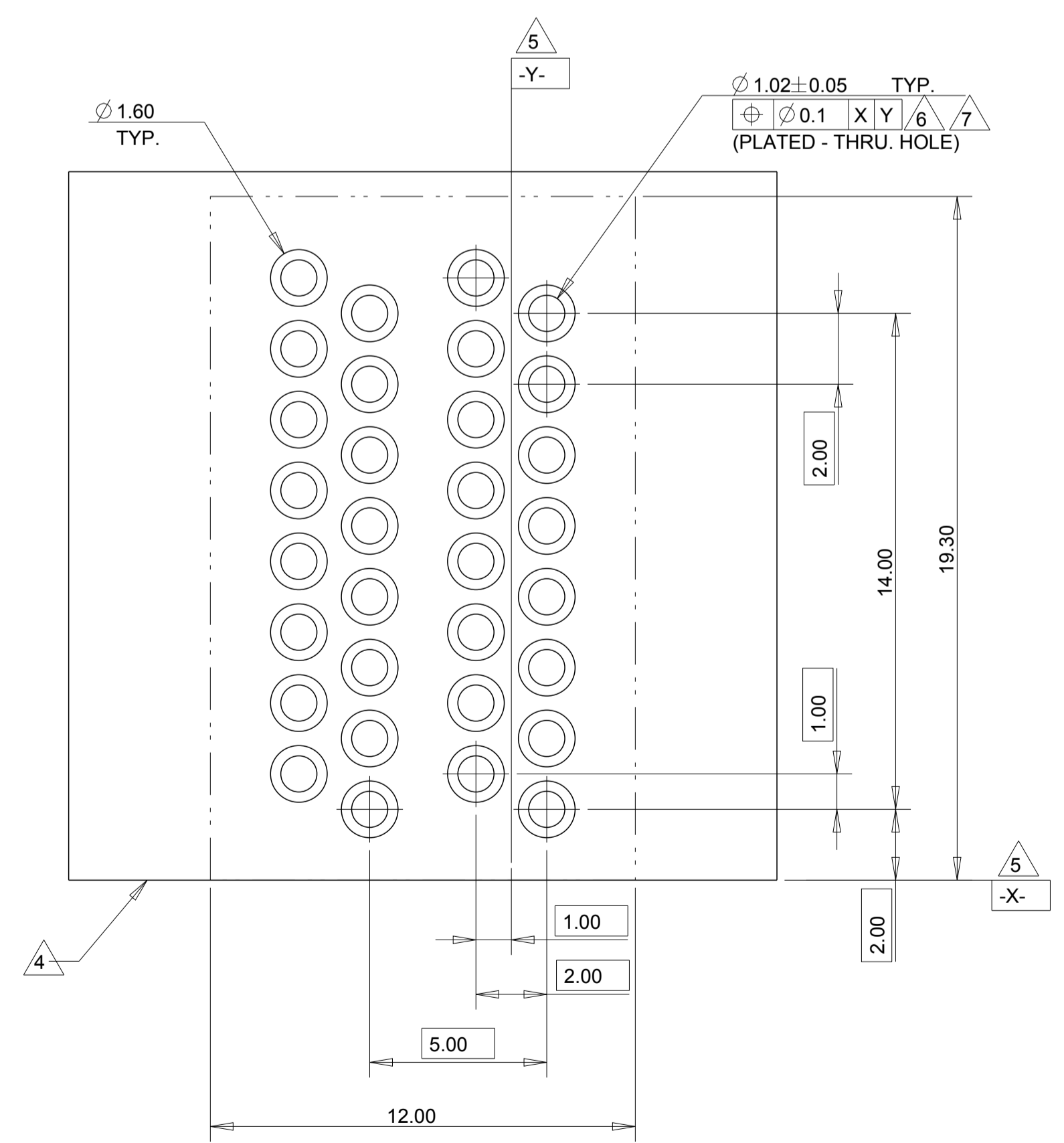
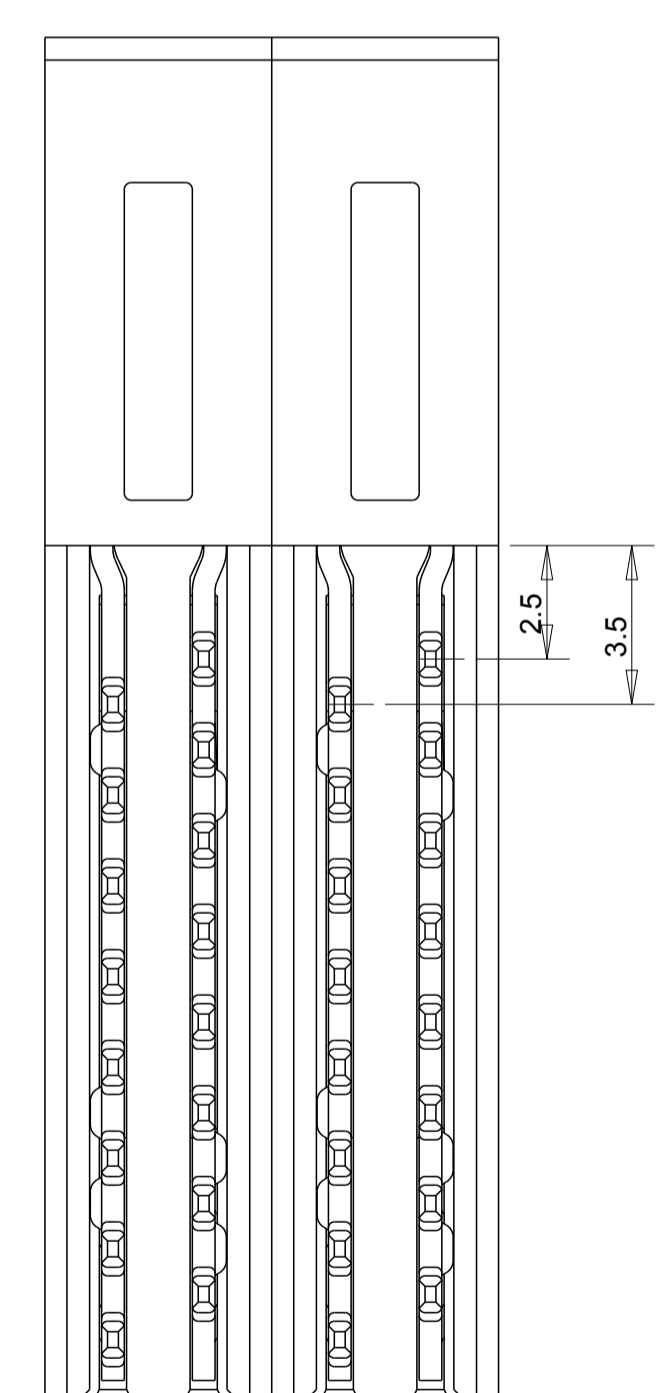
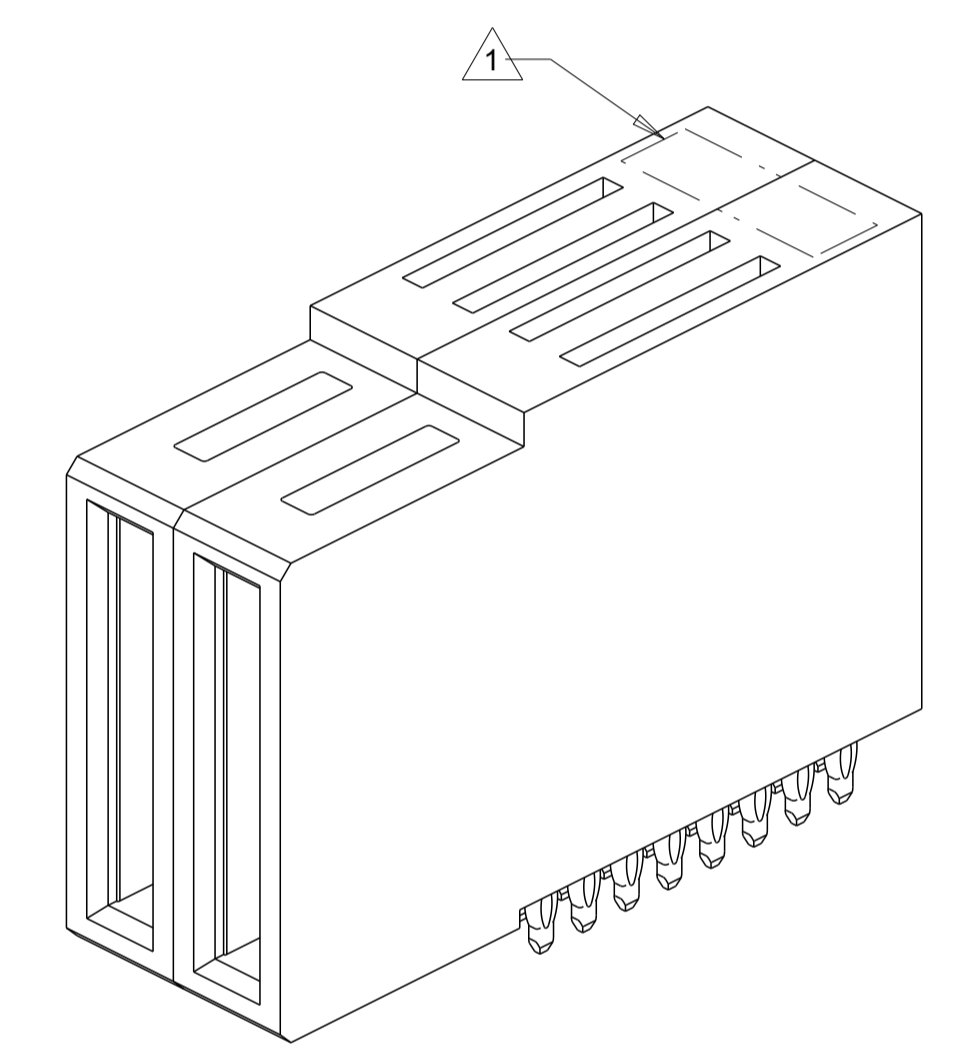
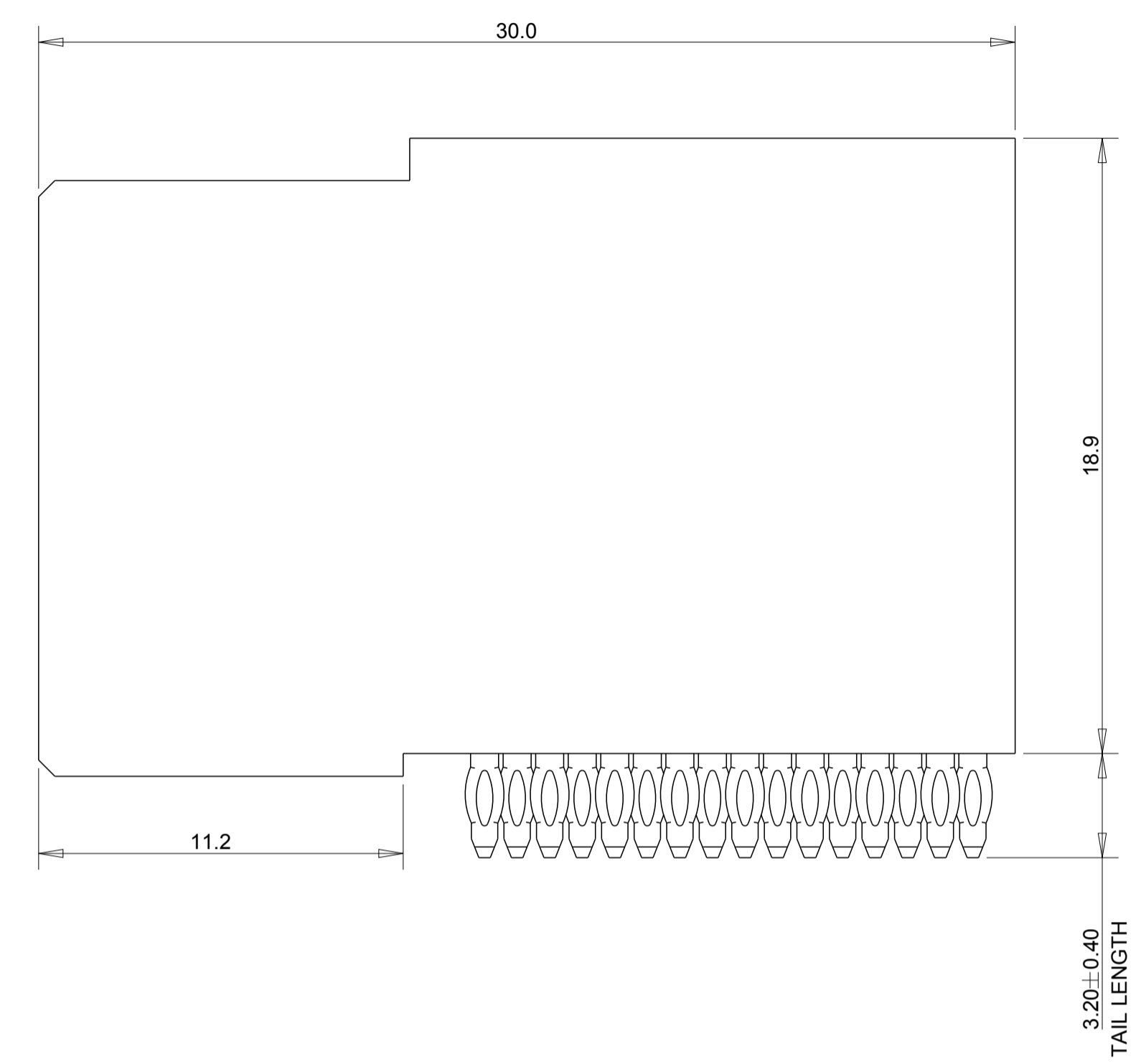
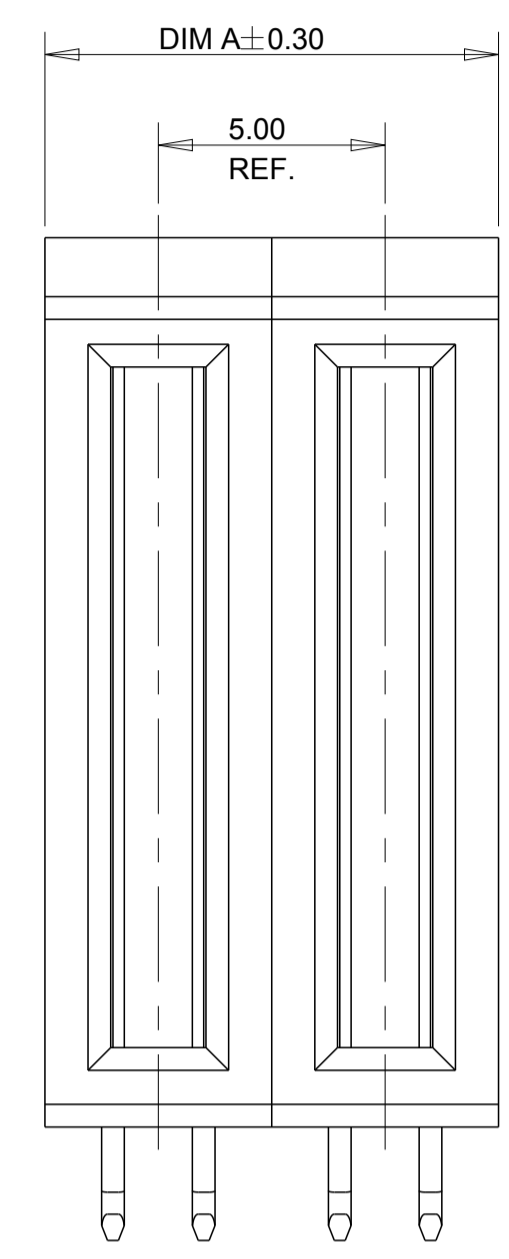


REVISIONS					
P	LTR	DESCRIPTION	DATE	DWN	APVD
A		RELEASED DRAWING	28JULY2016	TZ	SZ

NOTES, UNLESS OTHERWISE SPECIFIED:

1. "TE", PART NUMBER AND DATE CODE TO BE MARKED IN AREA SHOWN.
2. MATERIAL:
 HOUSING - GLASS FILLED HIGH TEMP THERMO PLASTIC.
 COLOR: BLACK, UL94 V-0.
 SIGNAL CONTACT - HIGH CONDUCTIVITY COPPER ALLOY.
 POWER CONTACT - HIGH CONDUCTIVITY COPPER ALLOY.
3. CONTACT PLATING:
 MATING AREA - NOBLE METAL OVERALL NICKEL
 TAIL SIDE AREA - MATTE TIN OVERALL NICKEL.
4. MECHANICAL CONNECTOR KEEP OUT ZONE.
5. DATUM AND BASIC DIMENSIONS ESTABLISHED BY CUSTOMER.
6. PCB - ALL HOLE DIAMETERS ARE FINISHED HOLE SIZES.
7. PCB HOLE:
 POWER - 1.15±0.025 MM DRILLED HOLES SIZE PLATING WITH 0.0076 MM MIN.
 Sn OVER 0.025-0.076 MM Cu PLATING TO ACHIEVE A 1.02 MM DIA. HOLE.
 SIGNAL - 0.835±0.025 MM DRILLED HOLES SIZE PLATING WITH 0.0076 MM MIN.
 Sn OVER 0.025-0.076 MM Cu PLATING TO ACHIEVE A 0.72 MM DIA. HOLE.



PART NUMBER	HOUSING	POWER	
		P 2	P 1
2204403-1	2204313-1	P R	P R
		2P	

POWER CONTACT PRESS FIT	PR
DESCRIPTION	CODE

10.0	2P	2204403-1
DIM A	DESCRIPTION	PART NUMBER

THIS DRAWING IS A CONTROLLED DOCUMENT.		DWN THOMAS ZHAO 16JUN2014	TE Connectivity
DIMENSIONS: mm		CHK SUNY ZHAO 16JUN2014	
TOLERANCES UNLESS OTHERWISE SPECIFIED:		APVD SUNY ZHAO 16JUN2014	NAME
0 PLC ± 1 PLC ±0.4 2 PLC ±0.25 3 PLC ±0.15 4 PLC ± ANGLES ±		PRODUCT SPEC	Customer Drawing
MATERIAL		APPLICATION SPEC	RIGHT ANGLE REC. PRESS FIT
FINISH		WEIGHT	MULTI-BEAM HD W/GUIDELESS
2 3		SIZE A1	RESTRICTED TO
CUSTOMER DRAWING		CAGE CODE -	DRAWING NO. 2204403
		SCALE 1:1	SHEET 1 OF 1
			REV A