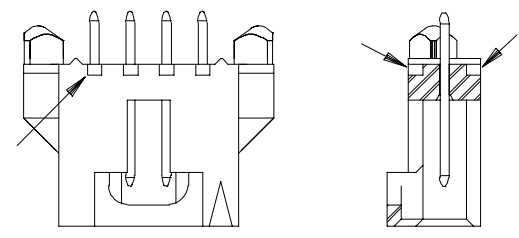
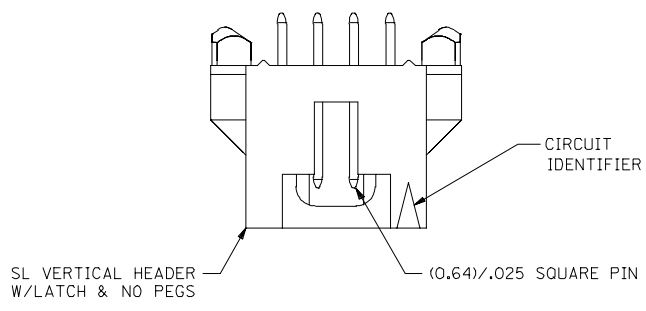
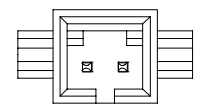
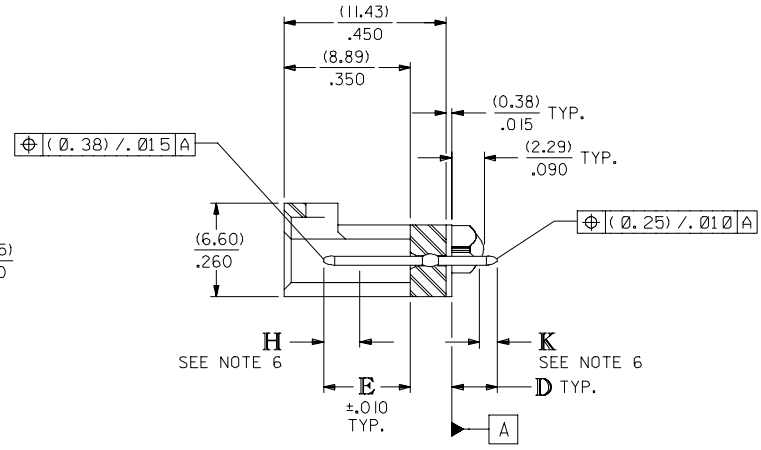
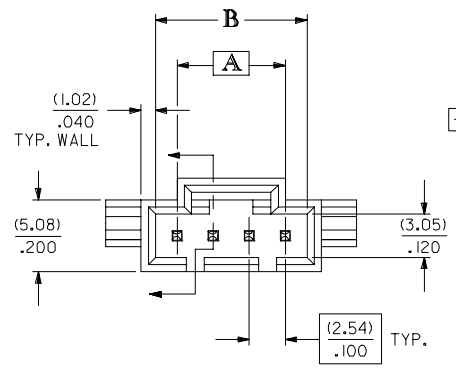


13 12 11 10 9 8 7 6 5 4 3 2 1

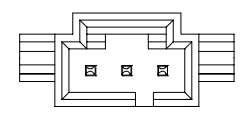


**ALTERNATIVE CORING  
MANUFACTURER'S OPTION**

CKT. SIZE	DIM. "A"		DIM. "B"	
	MM	IN.	MM	IN.
2	2.54	.100	5.33±0.08	.210±.003
3	5.08	.200	8.13±0.10	.320±.004
4	7.62	.300	10.67±0.10	.420±.004
5	10.16	.400	13.21±0.10	.520±.004
6	12.70	.500	15.75±0.10	.620±.004
7	15.24	.600	18.29±0.10	.720±.004
8	17.78	.700	20.83±0.10	.820±.004
9	20.32	.800	23.37±0.10	.920±.004
10	22.86	.900	25.91±0.13	1.020±.005
11	25.40	1.000	28.45±0.13	1.120±.005
12	27.94	1.100	30.99±0.13	1.220±.005
13	30.48	1.200	33.53±0.13	1.320±.005
14	33.02	1.300	36.07±0.13	1.420±.005
15	35.56	1.400	38.61±0.15	1.520±.006
16	38.10	1.500	41.15±0.15	1.620±.006
17	40.64	1.600	43.69±0.15	1.720±.006
18	43.18	1.700	46.23±0.15	1.820±.006
19	45.72	1.800	48.77±0.18	1.920±.007
20	48.26	1.900	51.31±0.18	2.020±.007
21	50.80	2.000	53.85±0.18	2.120±.007
22	53.34	2.100	56.39±0.18	2.220±.007
23	55.88	2.200	58.93±0.18	2.320±.007
24	58.42	2.300	61.47±0.18	2.420±.007
25	60.96	2.400	64.01±0.20	2.520±.008



**2 CIRCUIT**



**3 CIRCUIT**

**NOTES:**

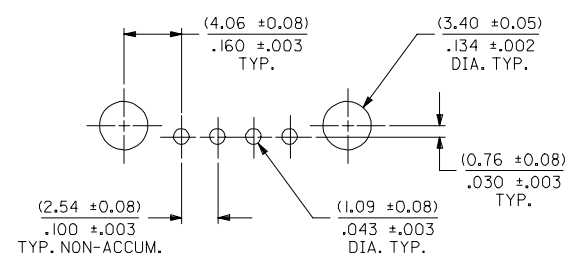
1. HEADER MATERIAL: GLASS FILLED POLYESTER; UL94V-0; COLOR: BLACK  
PIN MATERIAL: PHOSPHOR BRONZE
2. HEADER TO BE USED WITH OPTION 'G' 70400 AND 70430 SERIES SL CONNECTORS.
3. REFER TO MOLEX PRODUCT SPECIFICATION PS-70541.
4. STANDARD PACKAGING PER PK-70873-0014.
5. DIMENSIONS WITHOUT TOLERANCE ARE SHOWN FOR REFERENCE ONLY.
6. MEASURE POINT FOR PLATING THICKNESS.

**PLATING:**

- TIN - .000150 MINIMUM TIN PLATE OVER .000050 MINIMUM NICKEL PLATE.
- 15 GOLD - .000015 MINIMUM GOLD PLATE IN SELECT AREA, .000075 MINIMUM TIN PLATE IN SELECT AREA, OVER .000050 MINIMUM NICKEL PLATE OVERALL.
- 30 GOLD - .000030 MINIMUM GOLD PLATE IN SELECT AREA, .000075 MINIMUM TIN PLATE IN SELECT AREA, OVER .000050 MINIMUM NICKEL PLATE OVERALL.

**RECOMMENDED PC BOARD LAYOUT**

(FOR USE WITH (1.57)/.062 THICK BOARD)



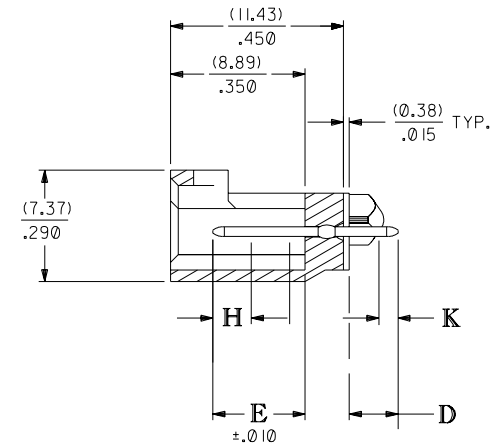
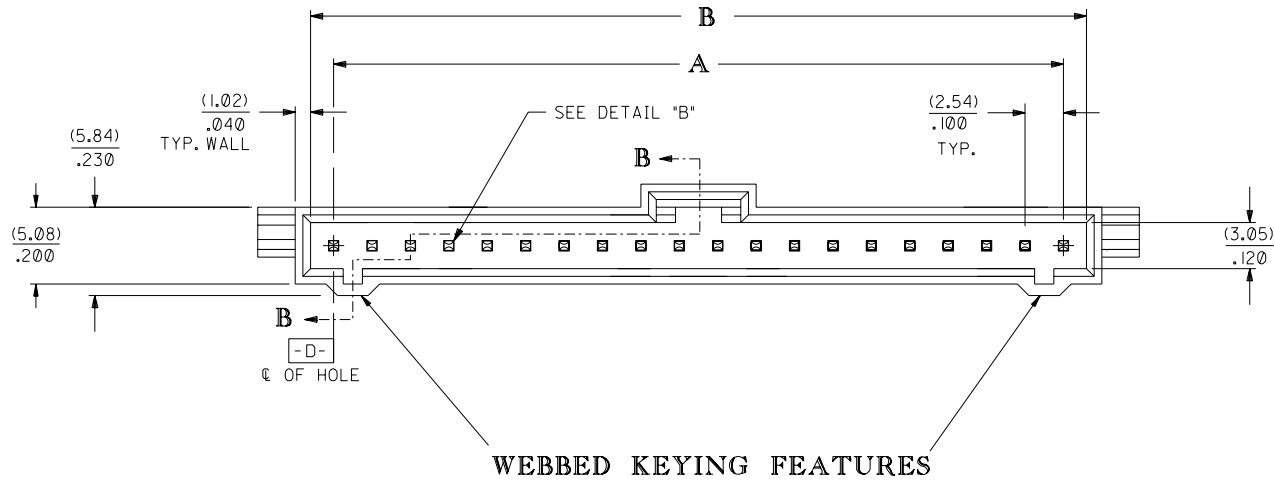
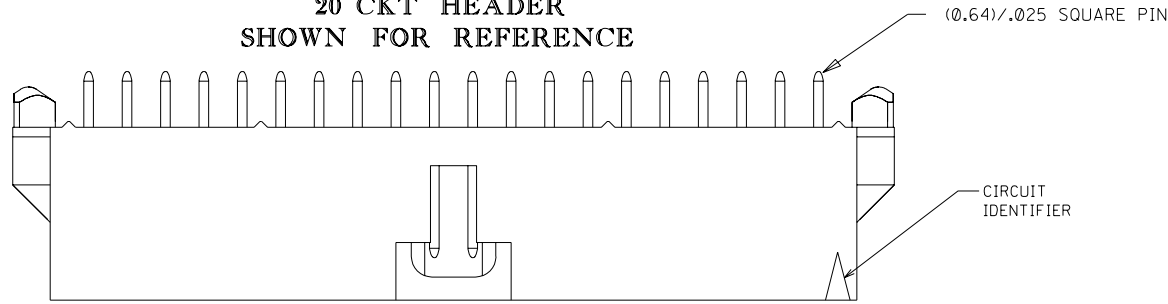
ADD LEAD FREE #S EC NO: UCP2006-0364 DRAWNSMART 2005/12/12 CHKD:BBARKER 2005/12/19 APPR:SMILLER 2005/12/19 REV. DESCRIPTION	QUALITY SYMBOLS	GENERAL TOLERANCES (UNLESS SPECIFIED)	DIMENSION STYLE	SCALE	DESIGN UNITS	THIRD ANGLE PROJECTION
	$\nabla=0$ $\nabla=0$	mm INCH 4 PLACES ± --- ± --- 3 PLACES ± --- ± .005 2 PLACES ± 0.13 ± .01 1 PLACE ± 0.25 ± --- ANGULAR ±1/2°	MM/IN	4:1	INCH	MFG. SH. REV. 4 C 3 C 2 B 1 C
	DRAWN BY: RKADAMS CHECKED BY: BBARKER APPROVED BY: SMILLER	DATE: 07/19/2004 DATE: 07/19/2004 DATE: 07/19/2004	DRAWN BY: DATE: TITLE: CHECKED BY: DATE: TITLE: APPROVED BY: DATE: TITLE:	MATERIAL NO. DOCUMENT NO.	SALES ASSY, SL VERTICAL HEADER W/LATCH&TRI-PEGS (2.54)/.100 CENTERS	SHEET NO. 1 OF 4
	DRAFT WHERE APPLICABLE MUST REMAIN WITHIN DIMENSIONS	SEE TABLE	THIS DRAWING CONTAINS INFORMATION THAT IS PROPRIETARY TO MOLEX INCORPORATED AND SHOULD NOT BE USED WITHOUT WRITTEN PERMISSION	MOLEX MOLEX INCORPORATED	SD-70545-001	1 OF 4

12 11 10 9 8 7 6 5 4 3 2 1

# OPTIONAL HOUSING

## WEBBED KEYING FEATURES

20 CKT HEADER  
SHOWN FOR REFERENCE



### SECTION B-B

DIMENSIONS SHOWN (METRIC) INCH	
UNLESS OTHERWISE SPECIFIED TOLERANCES: ANGULAR ± 1/2°	
3 PLACE ± .005	INCH METRIC
2 PLACE ± .01 ± 0.13	
1 PLACE ± 0.25	
DRAFT WHERE APPLICABLE MUST REMAIN WITHIN DIMENSIONS	
DRWG. BY RKA	CHK'D. BY BB
APP'D. BY SM	SCALE :

▽ = 0	▼ = 0	REVISE ONLY ON CAD SYSTEM
TITLE SALES ASSY, SL VERTICAL HEADER W/LATCH & TRI-PEGS (2.54)/.100 CENTERS		
MOLEX INCORPORATED	SHEET NO. 2	DATE 04/7/19
LITSE,ILL. 60532 U.S.A.		
PART NO. SEE CHART	DRWG. NO. SD-70545-001	
FILE NAME S70545X2.DGN	THIS DRAWING CONTAINS INFORMATION THAT IS PROPRIETARY TO MOLEX INC. AND SHOULD NOT BE USED WITHOUT WRITTEN PERMISSION	DIV. DA

A	SEE SHEET I
LTR.	REVISIONS



	13	12	11	10	9	8	7	6	5	4	3	2	1	
J	CIRCUIT SIZE	ASSEMBLY ITEM NUMBER 70545	MANUFACTURE RELEASE STATUS	WEBBED ASSEMBLY		D REF.	E ± .010	CONNECTOR END PLATING			P.C. BOARD END PLATING			
								TYPE	H MEAS.		TYPE	K MEAS.		
	2-19	-3901-3918	NOT TOOLED	WEBBED ASSEMBLY		(3.30) .130	(6.10) .240	30 GOLD	(2.54) .100		TIN	(1.27) .050		
	20-25	-3919-3924	R.F.M.											
I	2-19		NOT TOOLED	WEBBED ASSEMBLY		(3.30) .130	(6.10) .240	15 GOLD	(2.54) .100		TIN	(1.27) .050		
		20-25												R.F.M.
H	2-19		NOT TOOLED	WEBBED ASSEMBLY		(3.30) .130	(6.10) .240	TIN	(2.54) .100		TIN	(1.27) .050		
		20-25												R.F.M.
G														

F	CIRCUIT SIZE	WEBBED ASSEMBLY ITEM NUMBER	WEBBED ASSEMBLY ITEM NUMBER	WEBBED ASSEMBLY ITEM NUMBER										
E	2													
	3													
	4													
	5													
	6													
	7													
	8													
	9													
	10													
	11													
	12													
	13													
	14													
	15													
	16													
	17													
	18													
	19													
	20													
	21	70545-3921												
	22													
	23	70545-3923												
	24													
	25													

ADD -3921-3923 EC NO: UCP2006-0364 DRAWNSMART 2005/12/12 CHKD:BBARKER 2005/12/19 APPR:SMILLER 2005/12/19 REV	QUALITY SYMBOLS ▽=0 ▽=0	GENERAL TOLERANCES (UNLESS SPECIFIED)		DIMENSION STYLE MM/IN		SCALE ---	DESIGN UNITS INCH	THIRD ANGLE PROJECTION	
		mm	INCH	DRAWN BY RKA	DATE 2004/17/19	TITLE SALES ASSY, SL VERTICAL HEADER W/LATCH & TRIPEGS (2.54)/.100 CENTERS			
		4 PLACES ± --- ± ---		CHECKED BY BB	DATE 2004/17/19	MATERIAL NO. SM			
		3 PLACES ± --- ±.005		APPROVED BY SM	DATE 2004/17/19	DOCUMENT NO. SD-70545-001			
		2 PLACES ± 0.13 ±.01		SIZE C		THIS DRAWING CONTAINS INFORMATION THAT IS PROPRIETARY TO MOLEX INCORPORATED AND SHOULD NOT BE USED WITHOUT WRITTEN PERMISSION			
		1 PLACE ± 0.25 ± ---		SEE TABLE		SHEET NO. 4 OF 4			
		ANGULAR ±1/2°		DRAFT WHERE APPLICABLE MUST REMAIN WITHIN DIMENSIONS					