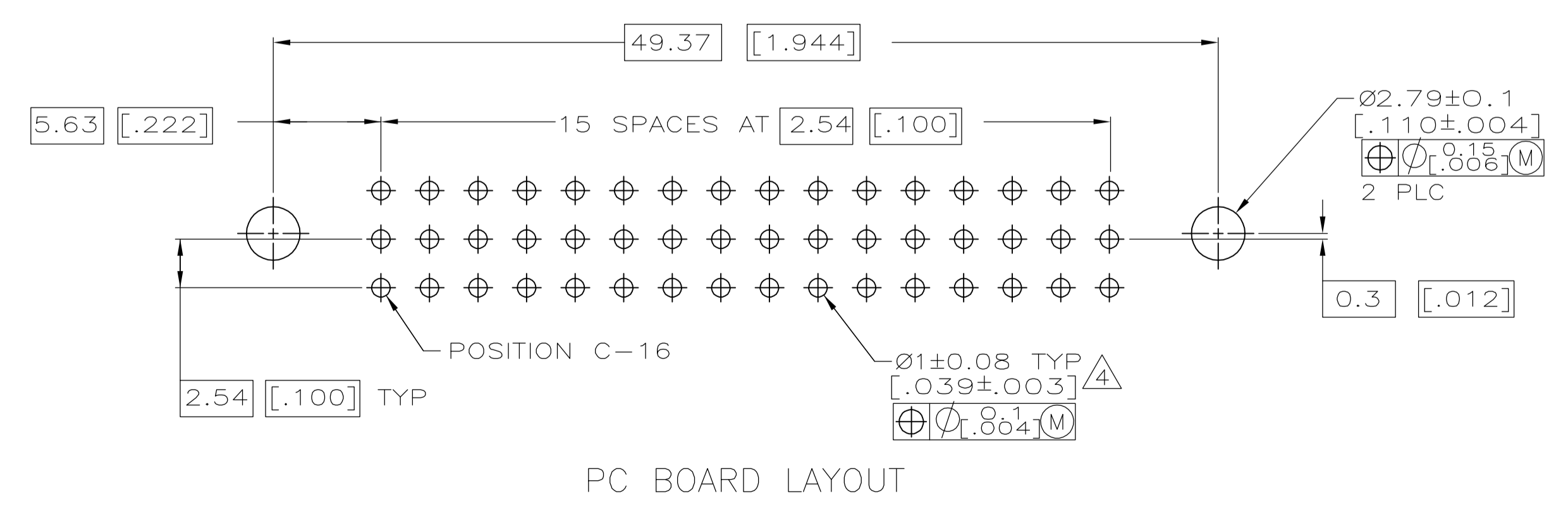
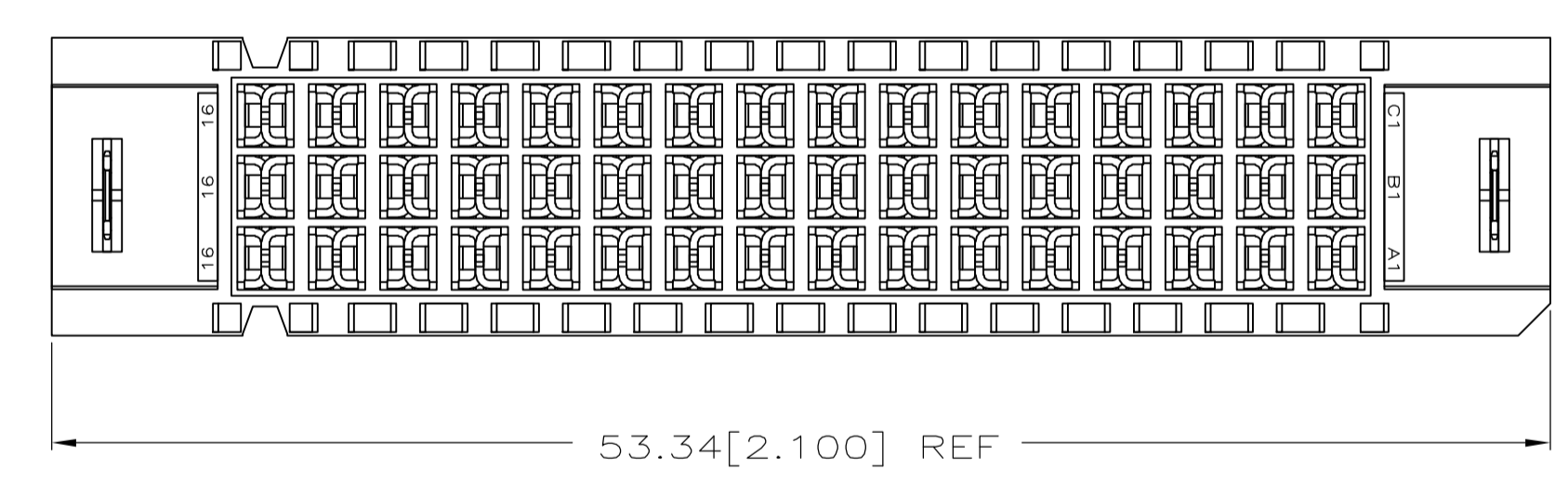
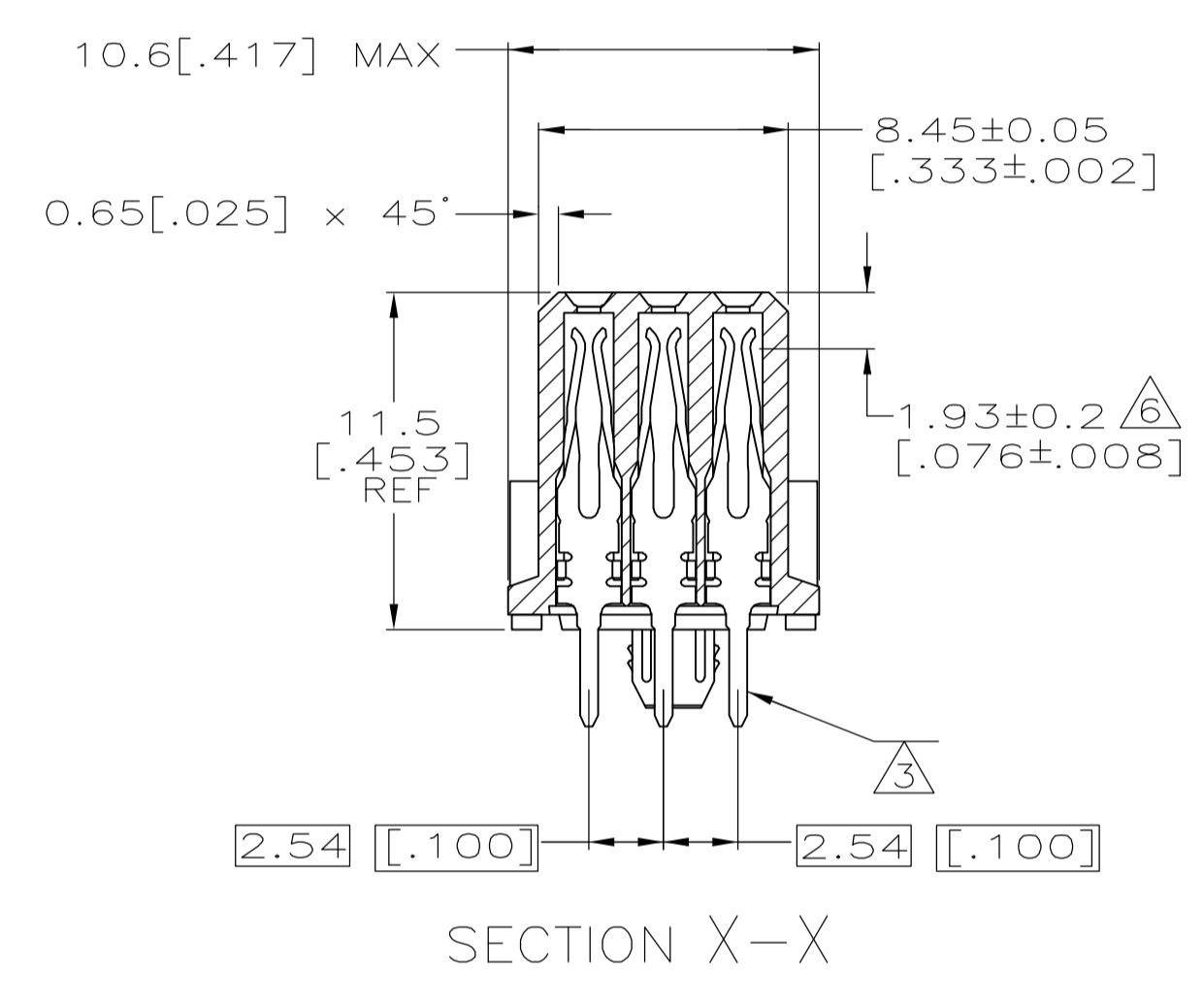
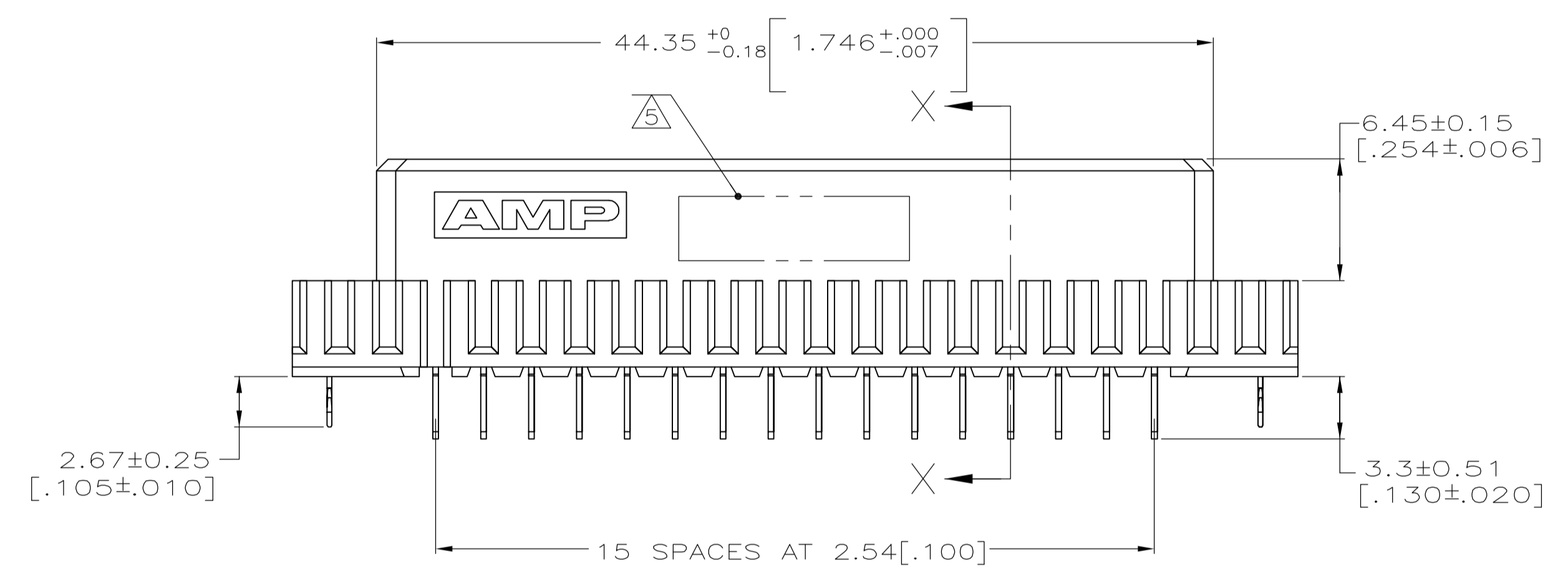
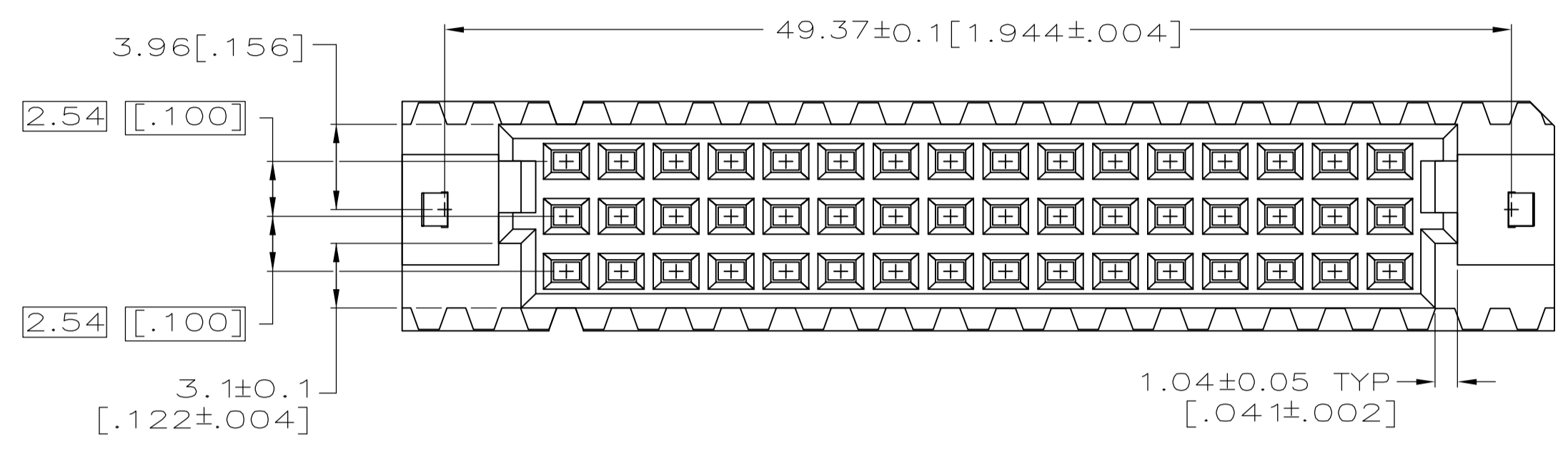


- ① HOUSING MATERIAL: GLASS-FILLED POLYMER.
- ② CONTACT MATERIAL: COPPER ALLOY.
- ③ CONTACT FINISH: DIN 41612 CLASS 2 IN CONTACT AREA. TIN PLATE ON POSTS.
- ④ RECOMMENDED HOLE SIZE FOR MANUAL APPLICATION OF CONNECTOR ONTO PC BOARD.
- ⑤ PART NUMBER, DATE CODE IDENTIFICATION, CSA LOGO IN THIS APPROXIMATE AREA, ON REVERSE SIDE.
- ⑥ CONTACT POINT.



1-16	X	X	X	48	5536484-5
POSITIONS LOADED	C	B	A	NO. OF LOADED POSITION	ASSY PART NUMBER

THIS DRAWING IS A CONTROLLED DOCUMENT.		DIN J. POLIGNONE 27MAY05		Tyco Electronics Corporation	
DIMENSIONS: mm [INCHES]		CIK A. SHARPE 27MAY05		Harrisburg, PA 17105-3608	
TOLERANCES UNLESS OTHERWISE SPECIFIED:		APVD A. SHARPE 27MAY05		NAME ASSEMBLY, RECEPTACLE, EUROCARD, TYPE 1/2C, 48 POSITION, 3.30 [0.130] SOLDER POSTS WITH BOARD-LOCKS	
0 PLC ± -	1 PLC ± -	2 PLC ± -	3 PLC ± 0.13 [0.005]	APPLICATION SPEC	SIZE CAGE CODE DRAWING NO
4 PLC ± -	ANGLES ± -	RESTRICTED TO		A1 00779 C=5536484	
MATERIAL	FINISH	WEIGHT	SCALE	SHEET	REV
			4:1	1 OF 1	0