

5

4

3

2

1

受控 CONTROLLED DOCUMENT

编号 P/N	25-7530-CUST	版本 Rev	01	日期 Rel'd Date	May8,09
-----------	--------------	-----------	----	------------------	---------

DRAWING NO.
25-7530-CUST

REVISIONS

01	OFFICIAL RELEASE					
	03-05-09	Y	U	Y	U	TH

D



Description: RCA Male To F Female Adapter

Part No: 25-7530

Application: Adapter

Crimp Tool: N/A

Impedance: N/A

Frequency Range: N/A

Material: Body Brass Nickel plated

Contact Beryllium Nickel plated

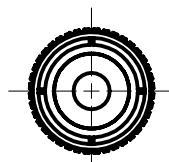
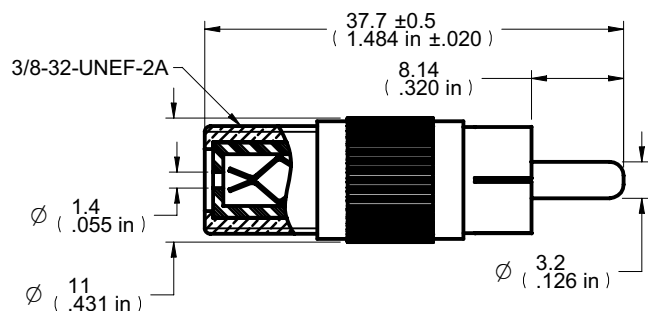
Insulator PE

RoHS Compliance: Yes

Technical Detail: F End Refer to Emerson Document P/N 25-0000

C

B



DIM OUTLINE

CUSTOMER COPY

TOLERANCE UNLESS OTHERWISE SPECIFIED		DRAWN BY	DATE
DECIMALS	mm	BETTY.YU	03-05-09
X	± 0.5	CHECKED BY	DATE
X.X	± 0.3	BETTY.YU	03-05-09
X.XX	± 0.1	APPROVED BY	DATE
ANGLES	± 0.5°	THOMAS	03-05-09
		U/M	mm



TITLE
RCA MALE TO F FEMALE ADAPTER

THIS DRAWING WAS PRODUCED BY COMPUTER, DO NOT SCALE DRAWING OR UPDATE MANUALLY.

SHEET	DRAWING NO.	SIZE
1 OF 1	25-7530-CUST	A

A

5

4

3

2

1