

# Process Safeguarding RKS & RPS



## Trapped Rotary Key Power Isolators

- Direct drive operation, positively opens contacts
- IP65 (NEMA 4) rated enclosure—water & dust resistant
- Virtually maintenance free
- Weatherproof stainless steel dust cap as standard
- Up to 100 A isolation
- 4 N/O or 2 N/O + 2 N/C contacts
- Conforms to EN292, EN1088, IEC947-5-1 & GS ET 19  
UL listed & CSA approval on switches



## Specifications

Housing (RKS only)	
Enclosure Rating:	IP65 (NEMA 4)
Conduit Entries:	M20
Ambient Temp:	-10 to 40°C (14 to 104°F)
Mechanical Operations:	>10 <sup>6</sup>
Max. Shear Force to Key:	15.1 kN
Max. Torque to Key:	14 Nm
Relative Operating Humidity:	25% to 95%
Finger Protection:	DIN 57106/VDE 0106 T.100
Weight:	0.85 kg (2.21 lb.)
Code Barrels:	Tested to 1,000,000 operations
Electrical Specifications	
Electrical Operations RKS & RPS Types:	>10 <sup>5</sup>
Climatic Test:	Constant to DIN IEC 68 Part 2-3; Variable to DIN IEC 68 Part 2-30
Ambient Temp:	Encased -25 to 40°C (13 to 104°F)
Rated Insulation Voltage (Ui):	690 V
Rated Impulse Withstand Vol. (Uimp):	6 kV
S3 Intermittent Rating (VDE 0530 Part 1) Duty Factor:	60/40/25%=1,3/1,6/2xlu
Rated Uninterrupted Current (Iu):	IEC/EN/VDE 20 A 32 A UL /CSA 16 A 30 A
Rated Operational Voltage (Ue):	IEC/EN/SEV/VDE 690 V 690 V UL/CSA 600 V 600 V
Main Switch isol. Voltage Up to:	750 V 750 V
Rated Operational Current (Ie):	AC-21A IEC/EN/VDE 20 A 32 A AC-1 SEV 20 A 32 A
Rated Operational Power at 50 to 60 Hz:	
AC-23A IEC/EN/VDE	
3 Phase 220-240 V	4 kW 7.5 kW
3 Phase 380-440 V	7.5 kW 15 kW
500-690	7.5 kW 11 kW
AC-3 IEC/EN/VDE	
3 Phase 220-240 V	3 kW 5.5 kW
3 Phase 380-440 V	5.5 kW 11 kW
500-690 V	5.5 kW 11 kW

DOL-Rating UL/CSA	1.5 HP 3 HP	3 HP 10 HP
3 Phase 120 V	3 HP 10 HP	10 HP 20 HP
3 Phase 240 V	7.5 HP 20 HP	20 HP 20 HP
480 V		
600 V		
Rated Breaking Capacity:	250 A 330 A	330 A 330 A
AC-23/AC-3 220-240 V	250 A 330 A	330 A 330 A
Motor Switch 380-440 V	250 A 330 A	330 A 330 A
Max. Fuse Size (gL):	25 A 35 A	35 A 35 A
Rated Fused Short Circuit Current:	15 kA 15 kA	15 kA 15 kA
Terminal Cross Section:		
Single/Multiple Wire min. mm <sup>2</sup>	1 1	1 1
max. mm <sup>2</sup>	10 10	10 10
Fine Strand Wire min. mm <sup>2</sup>	0.75 0.75	0.75 0.75
w/ Sleeve max. mm <sup>2</sup>	6 6	6 6
American Wire Gauge:	8 8	8 8

Specifications are subject to change without notice.

EN1088—Safety of Machinery, Interlocking devices associated with guards

“4.1.1 Control interlocking

The stop command from the interlocking device is introduced into the control system so that the interruption of the energy supply to the machine actuators, or mechanical disconnection of moving parts from the machine actuators, is triggered by the control system (indirect interruption...).”

“4.1.2 Power interlocking

The stop command from the interlocking device directly interrupts the energy supply to machine actuators or disconnects moving parts from the machine actuators...“Directly” means that, unlike control interlocking the control system does not play any intermediate role in the interlocking function.”

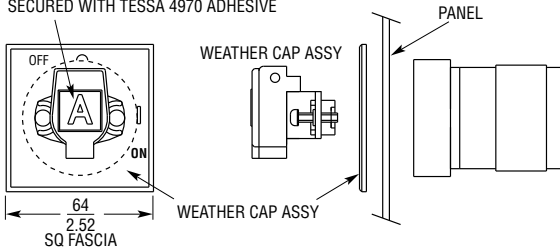
M

## Dimensions

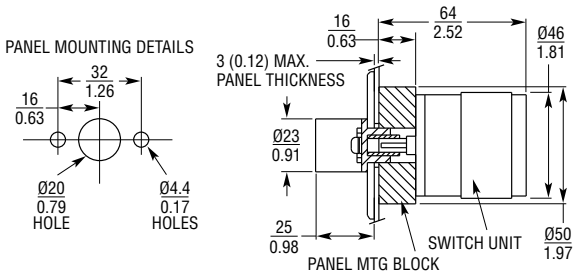
(mm/in.)

### 20 AMP UNIT SHOWN - PANEL MOUNTED

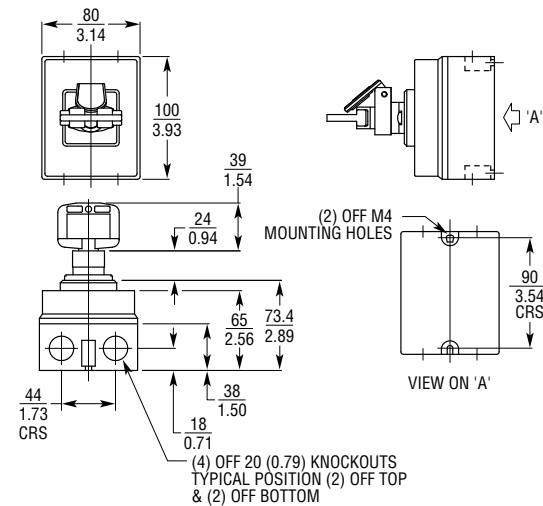
HIGH VISIBILITY TRAFFALITE LABEL PERMANENTLY SECURED WITH TESSA 4970 ADHESIVE



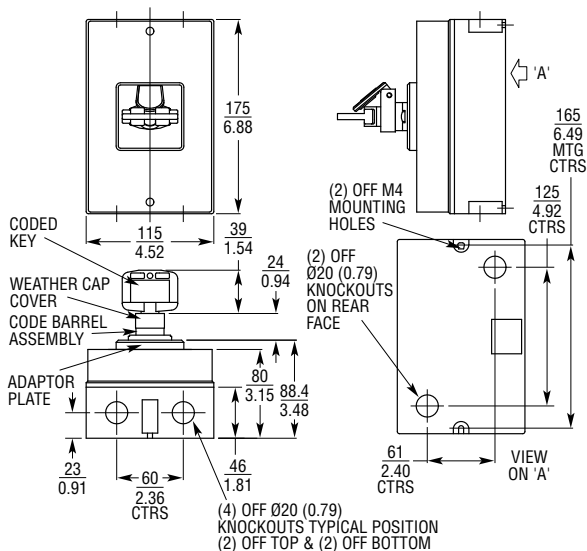
### PANEL MOUNTING DETAILS



### 20 AMP UNIT - BOX MOUNTED



### 32/63 AMP UNIT - ENCLOSURE MOUNTED



## Ordering

Rotary key switch, IP65 (NEMA 4) enclosure—4 pole switch, key trapped switch ON, key free switch OFF

Model	Contacts	Current
RKS 10	4 N/O	20 A
RKS 11	2 N/O + 2 N/C	20 A
RKS 12	4 N/O	32 A

Rotary key switch, panel mounted—4 pole switch, key trapped switch ON, key free switch OFF

Model	Contacts	Current
RPS 10	4 N/O	20 A
RPS 11	2 N/O + 2 N/C	20 A
RPS 12	4 N/O	32 A


To specify coding, add the key code of your choice from the Key Code Table to the part no. from the Ordering Table, i.e., RKS 10[A] is a 4 N/O, 20 A box-mounted unit with a code 'A' key. Key supplied trapped in unit.

## Key Codes

(....) = Primary key / key free

[....] = Secondary key / key trapped

Codes						
A	Aa	Ab	Ac	Ad	Ae	Af
B	Ba	Bb	Bc	Bd	Be	Bf
C	Ca	Cb	Cc	Cd	Ce	Cf
D	Da	Db	Dc	Dd	De	Df
E	Ea	Eb	Ec	Ed	Ee	Ef
F	Fa	Fb	Fc	Fd	Fe	Ff
G	Ga	Gb	Gc	Gd	Ge	Gf
H	Ha	Hb	Hc	Hd	He	Hf
I	Ia	Ib	Ic	Id	Ie	If
J	Ja	Jb	Jc	Jd	Je	Jf
K	Ka	Kb	Kc	Kd	Ke	Kf
L	La	Lb	Lc	Ld	Le	Lf
M	Ma	Mb	Mc	Md	Me	Mf
N	Na	Nb	Nc	Nd	Ne	Nf
O	Oa	Ob	Oc	Od	Oe	Of
P	Pa	Pb	Pc	Pd	Pe	Pf
R	Ra	Rb	Rc	Rd	Re	Rf
S	Sa	Sb	Sc	Sd	Se	Sf
T	Ta	Tb	Tc	Td	Te	Tf
U	Ua	Ub	Uc	Ud	Ue	Uf
V	Va	Vb	Vc	Vd	Ve	Vf
W	Wa	Wb	Wc	Wd	We	Wf
X	Xa	Xb	Xc	Xd	Xe	Xf
Y	Ya	Yb	Yc	Yd	Ye	Yf
Z	Za	Zb	Zc	Zd	Ze	Zf

 For coding details and referencing, see page M5.

**OMRON AUTOMATION AND SAFETY • THE AMERICAS HEADQUARTERS** • Chicago, IL USA • 847.843.7900 • 800.556.6766 • [www.omron247.com](http://www.omron247.com)

**OMRON CANADA, INC. • HEAD OFFICE**

Toronto, ON, Canada • 416.286.6465 • 866.986.6766 • [www.omron247.com](http://www.omron247.com)

**OMRON ELECTRONICS DE MEXICO • HEAD OFFICE**

México DF • 52.55.59.01.43.00 • 01-800-226-6766 • [mela@omron.com](mailto:mela@omron.com)

**OMRON ELECTRONICS DE MEXICO • SALES OFFICE**

Apodaca, N.L. • 52.81.11.56.99.20 • 01-800-226-6766 • [mela@omron.com](mailto:mela@omron.com)

**OMRON ELETRÔNICA DO BRASIL LTDA • HEAD OFFICE**

São Paulo, SP, Brasil • 55.11.2101.6300 • [www.omron.com.br](http://www.omron.com.br)

**OMRON ARGENTINA • SALES OFFICE**

Cono Sur • 54.11.4783.5300

**OMRON CHILE • SALES OFFICE**

Santiago • 56.9.9917.3920

**OTHER OMRON LATIN AMERICA SALES**

54.11.4783.5300

**OMRON EUROPE B.V.** • Wegalaan 67-69, NL-2132 JD, Hoofddorp, The Netherlands. • +31 (0) 23 568 13 00 • [www.industrial.omron.eu](http://www.industrial.omron.eu)

*Authorized Distributor:*

**Automation Control Systems**

- Machine Automation Controllers (MAC) • Programmable Controllers (PLC)
- Operator interfaces (HMI) • Distributed I/O • Software

**Drives & Motion Controls**

- Servo & AC Drives • Motion Controllers & Encoders

**Temperature & Process Controllers**

- Single and Multi-loop Controllers

**Sensors & Vision**

- Proximity Sensors • Photoelectric Sensors • Fiber-Optic Sensors
- Amplified Photomicrosensors • Measurement Sensors
- Ultrasonic Sensors • Vision Sensors

**Industrial Components**

- RFID/Code Readers • Relays • Pushbuttons & Indicators
- Limit and Basic Switches • Timers • Counters • Metering Devices
- Power Supplies

**Safety**

- Laser Scanners • Safety Mats • Edges and Bumpers • Programmable Safety Controllers • Light Curtains • Safety Relays • Safety Interlock Switches