

# Photoelectrics Through-beam Type PH18CNT..., DC

CARLO GAVAZZI



- Miniature sensor range
- Range: 20 m
- Sensitivity adjustment by potentiometer
- Modulated, infrared light 850 nm
- Supply voltage: 10 to 30 VDC
- Output: 100 mA, NPN or PNP, N.O + N.C.
- Degree of protection IP67, IP69K
- LED indication for output, stability and power ON
- Protection: reverse polarity, short circuit and transients
- Cable, plug and pigtail versions
- Excellent EMC performance



## Product Description

The PH18CNT... is part of a family of inexpensive general purpose through-beam sensors in industrial standard 18 mm cylindrical and square ABS housing. The sensors are useful in applications where high-accuracy detection as well as small size is required.

Compact housing and high power LED for excellent performance-size ratio. The potentiometer used for adjustment of the sensitivity makes the sensors highly flexible. The output type is NPN or PNP and the output switching function is NO and NC.

## Ordering Key

PH18CNT20PAM1SA

Type	PH18CNT20PAM1SA
Housing style square	PH18CNT20PAM1SA
Housing size	PH18CNT20PAM1SA
Housing material	PH18CNT20PAM1SA
Housing type neutral	PH18CNT20PAM1SA
Detection principle	PH18CNT20PAM1SA
Sensing distance	PH18CNT20PAM1SA
Output type	PH18CNT20PAM1SA
Output configuration	PH18CNT20PAM1SA
Connection type	PH18CNT20PAM1SA
Sensitive adjustment	PH18CNT20PAM1SA

## Type Selection

Housing type	Range S <sub>n</sub>	Connec- tion	Ordering no. Emitter	Ordering no. Receiver NPN Make or break switching	Ordering no. Receiver PNP Make or break switching
M18 Square type	20 m	Cable	PH 18 CNT 20	PH 18 CNT 20 NASA	PH 18 CNT 20 PASA
M18 Square type	20 m	Plug	PH 18 CNT 20M1	PH 18 CNT 20 NAM1SA	PH 18 CNT 20 PAM1SA
M18 Square type	20 m	Pigtail M12	PH 18 CNT 20T1	PH 18 CNT 20 NAT1SA	PH 18 CNT 20 PAT1SA


## Specifications Receiver according to EN60947-5-2

<b>Rated operating distance (S<sub>n</sub>)</b>	Up to 20 m	<b>OFF-state current (I<sub>r</sub>)</b>	≤ 100 μA
<b>Blind zone</b>	0 mm	<b>Voltage drop (U<sub>d</sub>)</b>	≤ 2.0 VDC @ 100 mA
<b>Sensitivity control</b>	Adjustable by potentiometer	<b>Protection</b>	Short-circuit, reverse polarity and transients
Electrical adjustment	210°	<b>Sensing angle</b>	± 4°
Mecanical adjustment	240°	<b>Ambient light</b>	30.000 lux Incandescent lamp
Adjustable distance to target	1 - 20 m	<b>Operating frequency</b>	500 Hz
<b>Temperature drift</b>	≤ 0.2%/°C	<b>Response time</b>	OFF-ON (t <sub>ON</sub> ) ≤ 1.0 ms ON-OFF (t <sub>OFF</sub> ) ≤ 1.0 ms
<b>Hysteresis (H)</b> (differential travel)	≤ 20%	<b>Power ON delay (t<sub>v</sub>)</b>	≤ 200 ms
<b>Rated operational volt. (U<sub>B</sub>)</b>	10 to 30 VDC (ripple included)	<b>Output function</b>	Type: NPN or PNP Switching function: NO and NC
<b>Ripple (U<sub>rpp</sub>)</b>	≤ 10%	<b>Indication</b>	Output ON: LED, yellow Signal stability and power ON: LED, green
<b>Output current</b>	Continuous (I <sub>a</sub> ) ≤ 100 mA Short-time (I) ≤ 100 mA (max. load capacity 100 nF)		
<b>No load supply current (I<sub>o</sub>)</b>	≤ 15 mA @ 24 VDC		
<b>Minimum operational current (I<sub>m</sub>)</b>	0.5 mA		

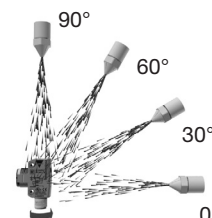
## Specifications Emitter according to EN60947-5-2

<b>Rated operational volt. (<math>U_B</math>)</b>	10 to 30 VDC (ripple included)	<b>Light spot Diameter</b>	Ø 1500 mm @ 10 m
<b>Ripple (<math>U_{rpp}</math>)</b>	≤ 10%	<b>Protection</b>	Reverse polarity and transients
<b>Supply current (<math>I_o</math>)</b>	≤ 25 mA @ 24 VDC	<b>Indication function</b>	LED, green
<b>Light source</b>	LED, 850 nm	Power supply ON	LED, green
<b>Light type</b>	Infrared, modulated	Signal stability and power ON	LED, green
<b>Sensing angle</b>	± 4°	<b>Power on delay</b>	< 200 ms

## Specifications Common according to EN60947-5-2

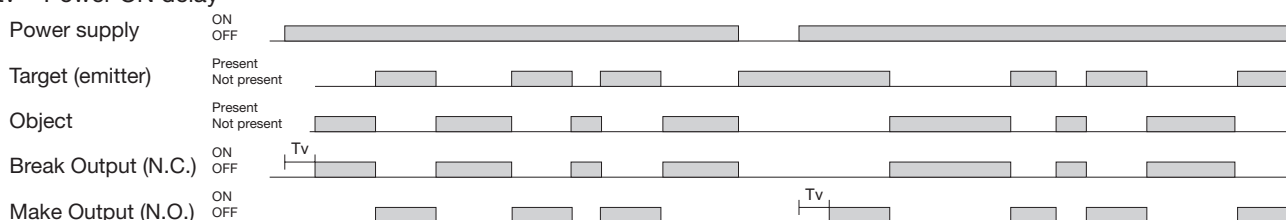
<b>Environment</b>		<b>Cable gland</b>	POM, Black
Installation category	III (IEC 60664/60664A; 60947-1)	Trimmer shaft	POM, Dark Grey
Pollution degree	3 (IEC 60664/60664A; 60947-1)	Locknuts	PP, black
Degree of protection	IP 67, IP 69K*	Mounting bracket	PPA, black
<b>Ambient temperature</b>		<b>Connection</b>	
Operating	-25° to +60°C	Cable	PVC, grey, 2 m
Storage	-40° to +70°C	Receiver	4 x 0.25 mm <sup>2</sup> , Ø = 4.5 mm
<b>Vibration</b>	10 to 150 Hz, 1.0 mm/15 g (IEC 60068-2-6)	Emitter	2 x 0.25 mm <sup>2</sup> , Ø = 4.5 mm
<b>Shock</b>	30 g / 11ms, 3 pos, 3 neg per axis (IEC 60068-2-6, 60068-2-32)	Plug	M12, 4-pin (CONB14NF-series)
<b>Rated insulation voltage</b>	500 VAC (rms)  IEC protection class III	Pigtail	PUR, grey, 30 cm 4 x 0.25 mm <sup>2</sup> , Ø = 4.5 mm
<b>Housing material</b>		<b>Weight</b>	With cable: 85 g With Pigtail: 40 g With plug: 25 g
Body	ABS, grey	<b>CE-marking</b>	Yes
Backpart	PC-Transparent	<b>Approvals</b>	cULus (UL508) supply class 2
Front material	PMMA, red		

\* The IP69K test according to DIN 40050-9 for high-pressure, high-temperature wash-down applications. The sensor must not only be dust tight (IP6X), but also able to withstand high-pressure and steam cleaning. The sensor is exposed to high pressure water from a spray nozzle that is fed with 80°C water at 8'000-10'000 KPa (80-100bar) and a flow rate of 14-6L/min. The nozzle is held 100 -150 mm from the sensor at angles of 0°, 30°, 60° and 90° for 30s each. The test device sits on a turntable that rotates with a speed of 5 times per minute. The sensor must not suffer any damaging effects from the high pressure water in appearance and function.

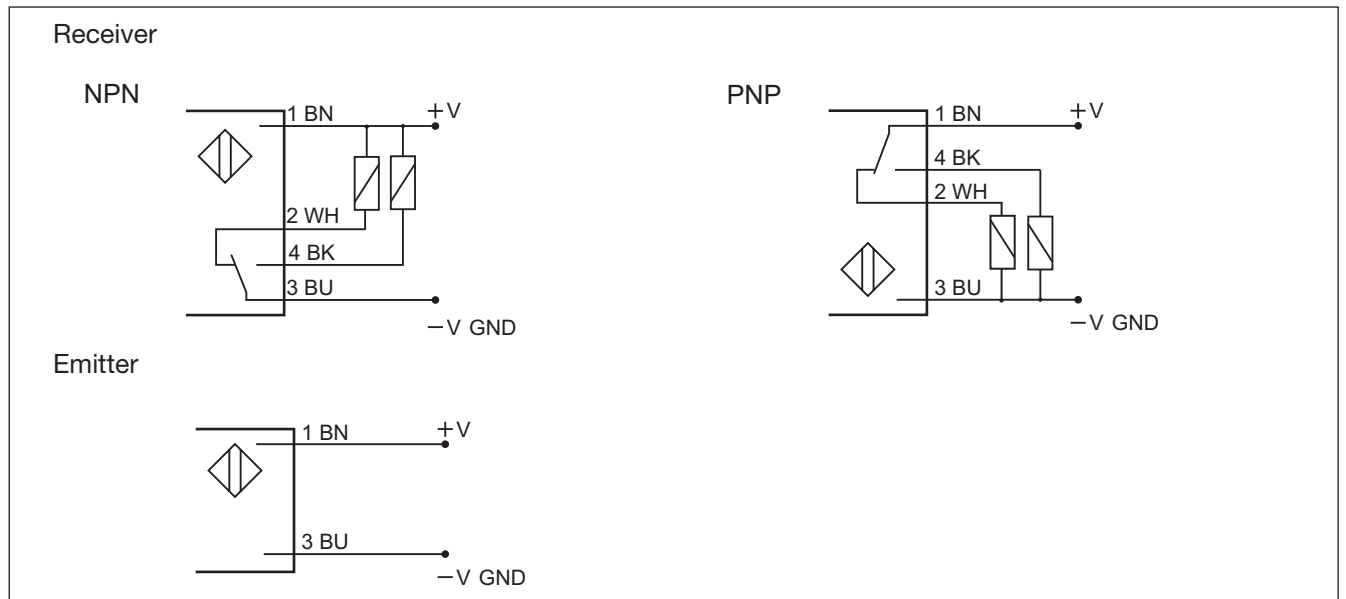


## Operation Diagram

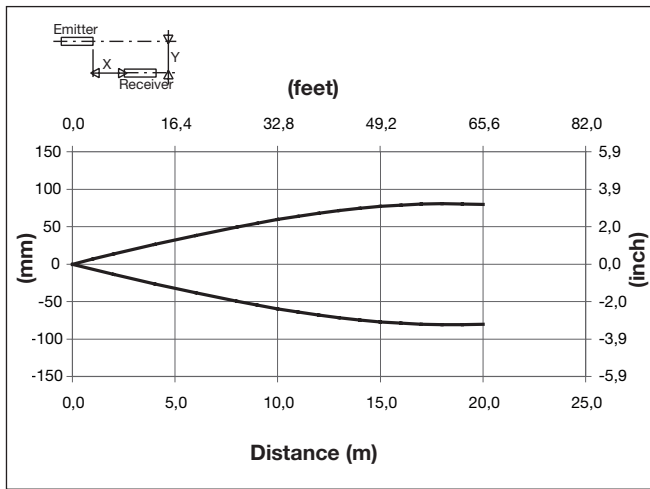
tv = Power ON delay



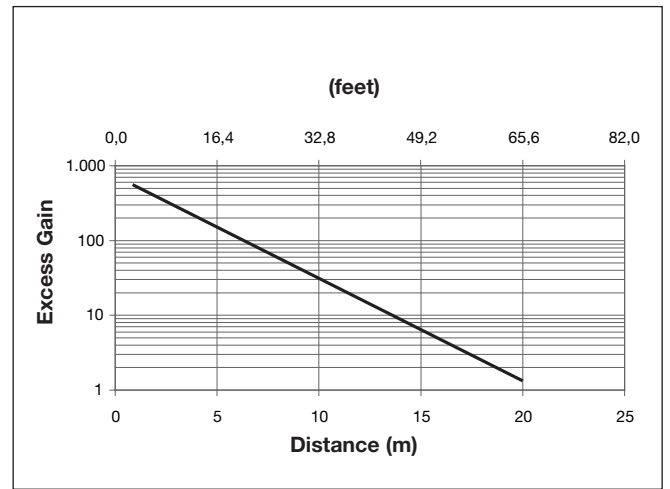
## Wiring Diagrams



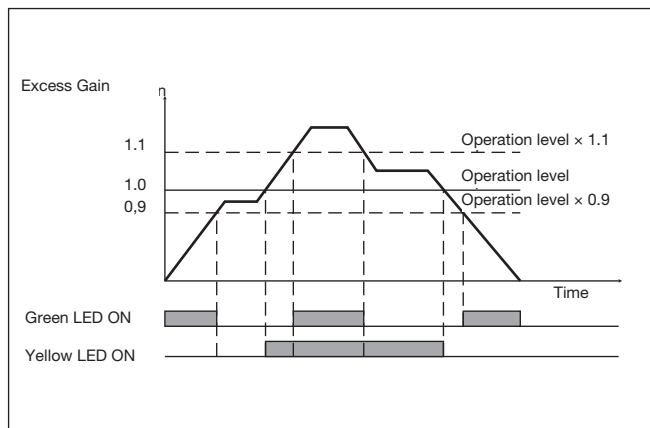
## Detection Diagram



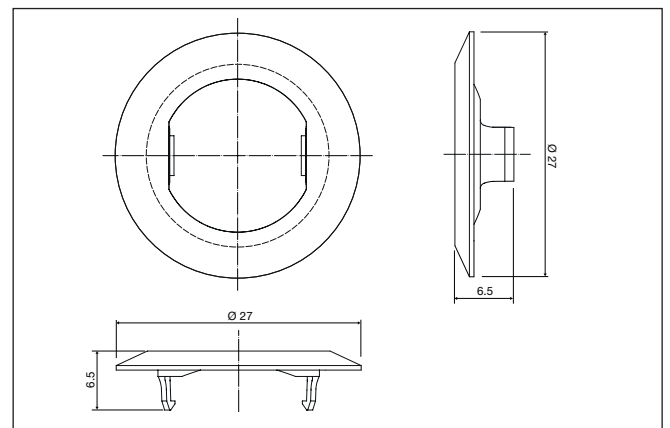
## Excess Gain



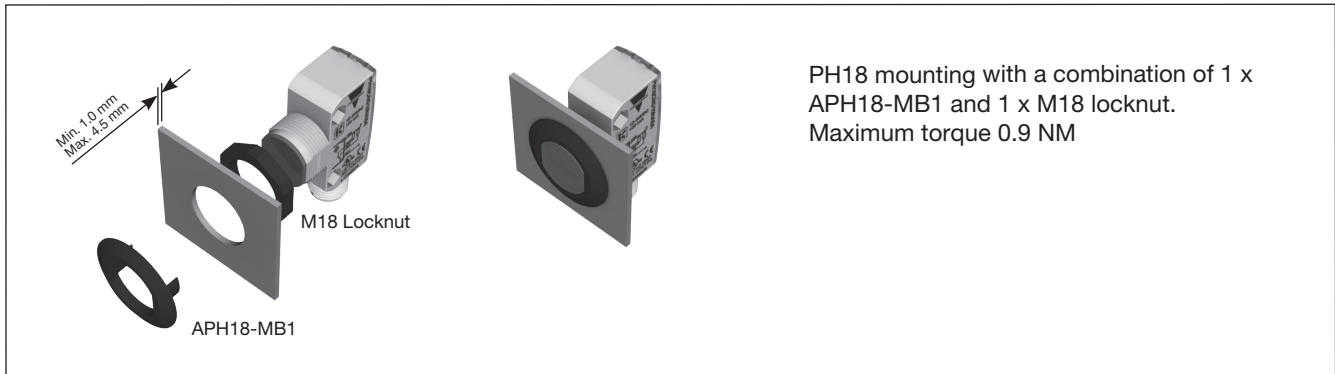
## Signal Stability Indication



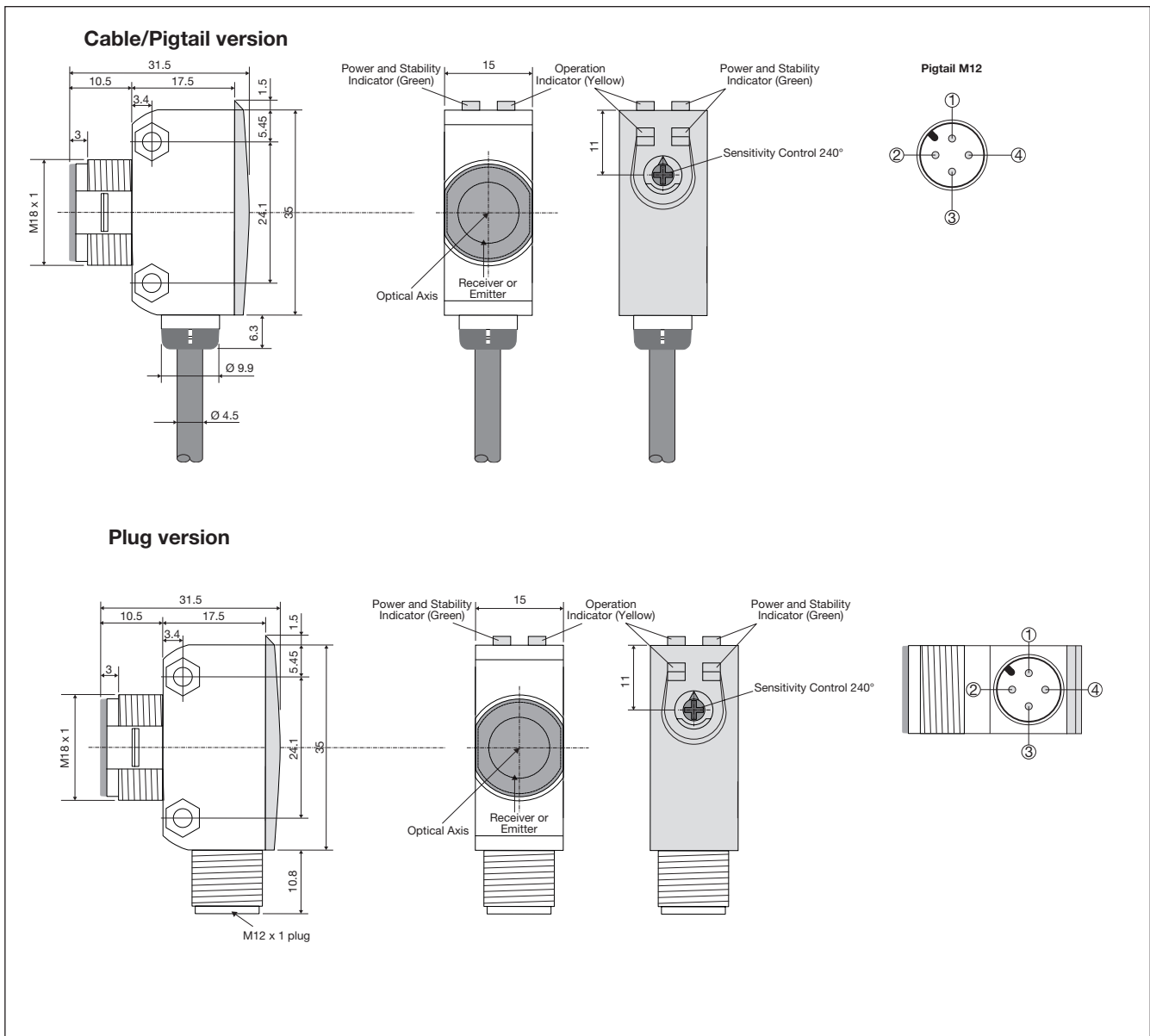
## APH18-MB1



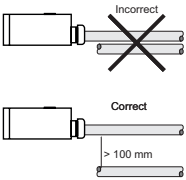
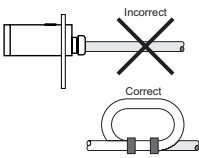
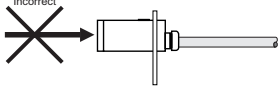
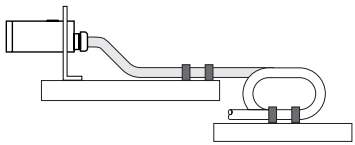
## Mounting Systems



## Dimensions



## Installation Hints

<p>To avoid interference from inductive voltage / current peaks, separate the proximity switch cables from any other power cables. E.g. Engine, contactor or solenoid cables</p> 	<p>Relief of the cable strain</p>  <p>The cable should not be pulled</p>	<p>Protection of the sensing face</p>  <p>A proximity switch should not serve as mechanical stop</p>	<p>Sensor mounted on a mobile carrier</p>  <p>Any repetitive flexing of the cable should be avoided</p>
--	---	--	--

## Delivery Contents

- Photoelectric switch: PH 18 CNT...
- Installation instruction on plastic bag
- Screwdriver
- Mounting bracket APH18-MB1
- 1 M18 locknuts
- **Packaging:** Plastic bag
- Emitter and receiver is packed separately

## Accessories

- Connector type CONG1A.. / CONB14NF.. series