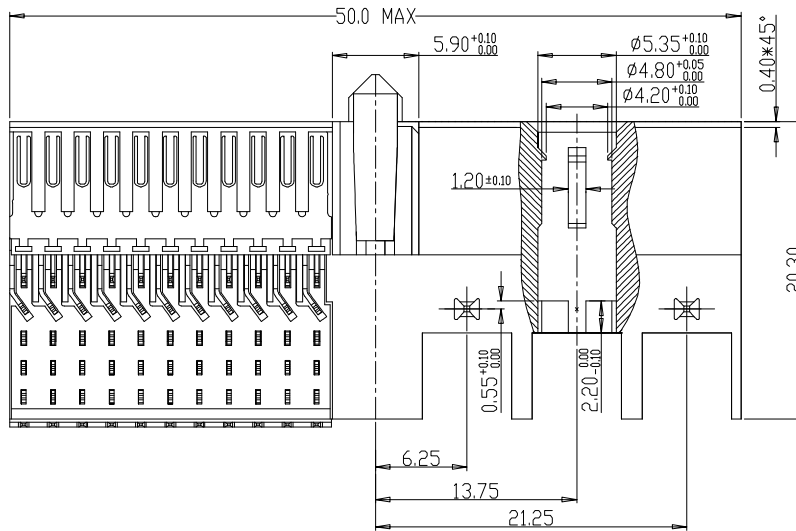
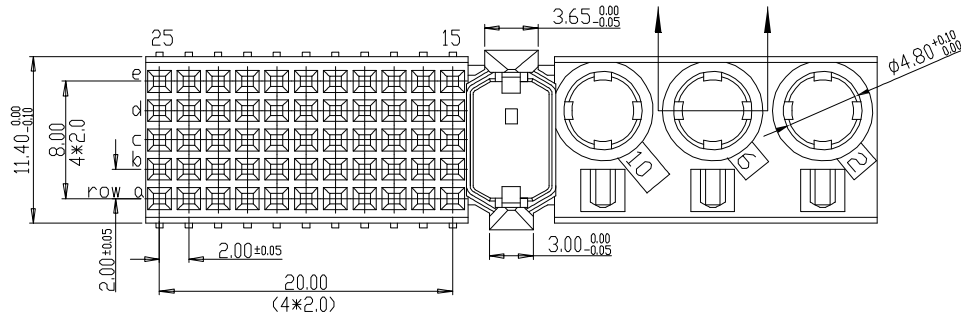


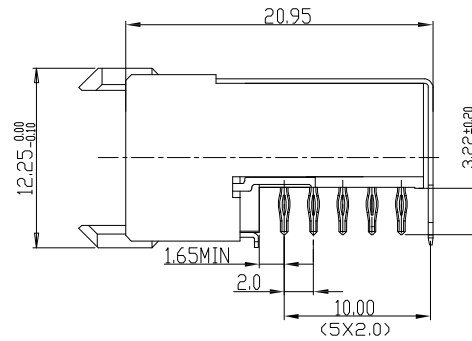
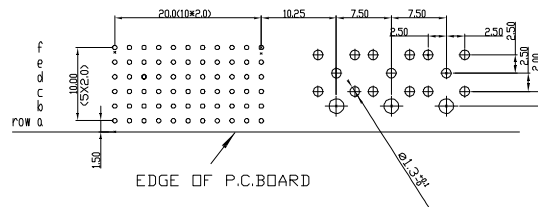
Tous droits strictement réservés. Reproduction ou communication à des tiers interdite sous quelque forme que ce soit sans autorisation écrite du propriétaire. Propriété de c FCI. Droits de reproduction FCI.



All rights strictly reserved. Reproduction or issue to third parties in any form whatever is not permitted without written authority from the proprietor. Property of FCI. Copyright FCI.



LAY-OUT
P.C.B.- HOLE



PERFORMANCE CHARACTERISTICS

- CURRENT RATING: 1.5 A AT 20°C (FULLY LOADED)
1 A AT 70°C (FULLY LOADED)
- RATED VOLTAGE: 500 V AC (CONT /CONT)
- OPERATING TEMPERATURE : -55°C TO 125°C
- CONTACT RESISTANCE : 20 mΩ MAX
- INSERTION FORCE: 0.75N MAX/CONT
- EXTRACTION FORCE : 0.15N MIN /CONT
- INSULATION RESISTANCE: 10⁴ MΩ MIN

NOTES

- LEAD FREE INDICATOR (LF=LEAD FREE)
PERFORMANCE LEVEL INDICATOR (REF DWG NO.BS.C.201844.003)
- THIS PRODUCT IS CSA APPROVED.
THIS PRODUCT IS UL RECOGNIZED.
- FOR RECOMMENDED PTH DIMENSIONS REFER DRAWING :BS.A.201572.001
- THIS PRODUCT (LF) MEETS EUROPEAN UNION DIRECTIVES AND OTHER COUNTRY REGULATIONS AS DESCRIBED IN GS-22-008

rev	ecn no	dr	date
A	CONVERSION REVISION_02	KN	14-09-01
B	DG05-0381	KASON	10-10-05
C	DG10-0110	NZ	2010.9.3

Material		Spec ref		
Mat code		tolerance 1DEC+0.2 1DEC 2DEC +0.10 2DEC ANGLES±1°DIEKEN	projection size A4	MM Scale 1.500
Heat treat				
Plating/Finish				
Dr	W.Panis	070492		
Eng			Product family	MILLIPICS
Chr			Model Name	ECN
Appr			Model Revision	REL Level
FCI		title	RIGHT ANGLE RECEPTACLE CONNECTOR /TYPE M	
Pro/E file	catalog no	HM2R50PA5101----	dwg no	BS,C ,201444,010
		CUSTOMER	Rev. C	
		sheet 1 of 1		