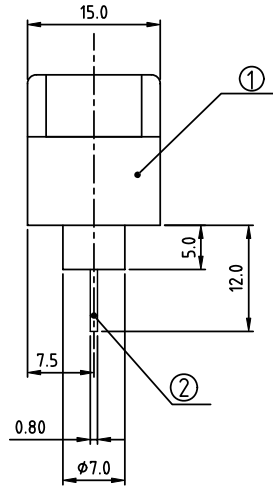
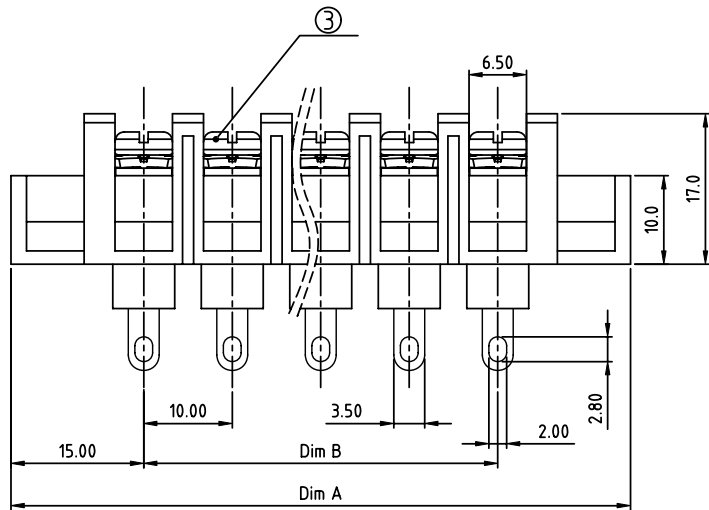
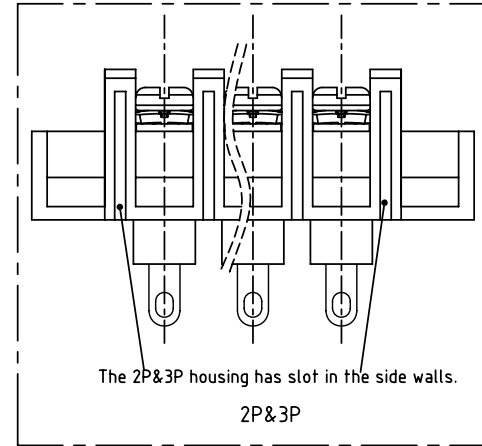
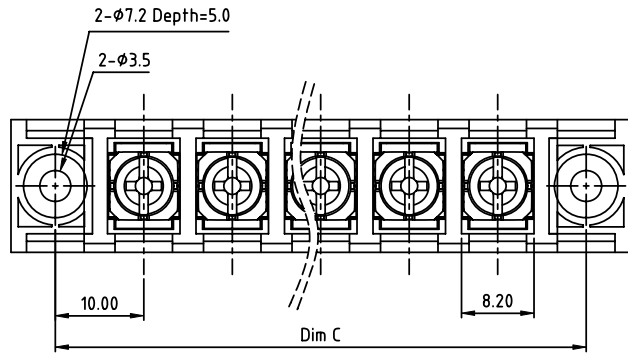


PRODUCT NUMBER	PITCH
YK606xx3x0JOG	10.00 mm



MATERIALS & ELECTRICAL

RATED VOLTAGE & CURRENT: 300 V, 20 A

WITHSTAND VOLTAGE: AC 2000 V/Min

INSULATION RESISTANCE: 1000 MΩ OR MORE AT DC 500 V

OPERATING TEMPERATURE RANG: -40 °C ~ +115 °C

SCREW TORQUE VALUE: 12 Lb-In.

WIRE RANGE: 22 - 12AWG

1) HOUSING: THERMOPLASTIC, UL 94 V-0 BLACK

2) TERMINAL: BRASS, 0.8t

3) TERMINAL SCREWS: STEEL, M3.5

APPROVAL:

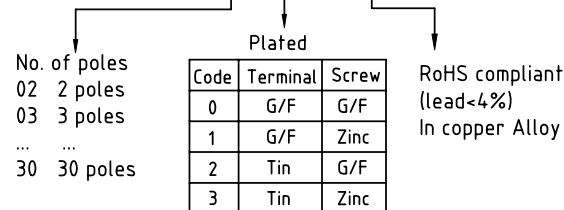
DIMENSION

Dim A	(N+2)×10.0
Dim C	(N+1)×10.0
Dim B	(N-1)×10.0

N=Number of poles

Poles	Tolerance
2p-4p	±0.20
5p-10p	±0.30
11p-24p	±0.40
25p-30p	±0.50

PART NO.: YK 606xx 3 x 0 JOG



mat'l. code	surface ASME Y14.5 ✓	tolerance ASME Y14.5	projection	product family			
ltr	ecn	no	dr	date	tolerances unless otherwise specified	MM	TERMINAL BLOCK
					angles	← MM →	title
					X'±1"	scale	TERMINAL BLOCK
					dr		BARRIER TYPE, WITH FLANGE
					enr		dwg no
					chr		sheet 1 of 1
					appd		size
							A4
							type
							CUSTOMER Drawing
sheet index	revision	A					
	sheet	1					