

ADSP-CM408F EZ-KIT Lite® Evaluation System Manual

Revision 1.1, September 2013

Part Number
82-000341-01

Analog Devices, Inc.
One Technology Way
Norwood, Mass. 02062-9106



Copyright Information

©2013 Analog Devices, Inc., ALL RIGHTS RESERVED. This document may not be reproduced in any form without prior, express written consent from Analog Devices, Inc.

Printed in the USA.

Disclaimer

Analog Devices, Inc. reserves the right to change this product without prior notice. Information furnished by Analog Devices is believed to be accurate and reliable. However, no responsibility is assumed by Analog Devices for its use; nor for any infringement of patents or other rights of third parties which may result from its use. No license is granted by implication or otherwise under the patent rights of Analog Devices, Inc.

Trademark and Service Mark Notice

The Analog Devices logo, EngineerZone, EZ-Board, and EZ-KIT Lite are registered trademarks of Analog Devices, Inc.

All other brand and product names are trademarks or service marks of their respective owners.

Regulatory Compliance

The ADSP-CM408F EZ-KIT Lite is designed to be used solely in a laboratory environment. The board is not intended for use as a consumer end product or as a portion of a consumer end product. The board is an open system design which does not include a shielded enclosure and therefore may cause interference to other electrical devices in close proximity. This board should not be used in or near any medical equipment or RF devices.

The ADSP-CM408F EZ-KIT Lite is in the process of being certified to comply with the essential requirements of the European EMC directive 2004/108/EC and therefore carries the “CE” mark.



The EZ-KIT Lite evaluation system contains ESD (electrostatic discharge) sensitive devices. Electrostatic charges readily accumulate on the human body and equipment and can discharge without detection. Permanent damage may occur on devices subjected to high-energy discharges. Proper ESD precautions are recommended to avoid performance degradation or loss of functionality. Store unused EZ-KIT Lite boards in the protective shipping package.



CONTENTS

PREFACE

Product Overview	x
Purpose of This Manual	xiv
Intended Audience	xiv
Manual Contents	xv
What's New in This Manual	xv
Technical Support	xvi
Supported Processors	xvi
Supported Tools	xvii
Product Information	xvii
Analog Devices Web Site	xvii
EngineerZone	xviii
Notation Conventions	xviii

USING ADSP-CM408F EZ-KIT LITE

Package Contents	1-2
ADSP-CM408F EZ-Board	1-3
Default Configuration	1-3
IAR Embedded WorkBench and Board Installation	1-5

Contents

IAR Embedded WorkBench Session Startup	1-6
SRAM Memory (U2)	1-8
SPI Flash	1-8
Analog Interface	1-8
UART0 Interface (RS-232)	1-9
UART1 Interface (RS-485)	1-10
CAN0 Interface	1-11
CAN1 Interface	1-11
USB OTG FS Interface	1-12
Ethernet Interface	1-12
Debug Interface	1-13
Serial Liquid Crystal Display Module Interface	1-13
Power-On-Self Test	1-14
Expansion Interface	1-14
Power Architecture	1-15
Power Measurements	1-15
Example Programs	1-16
Reference Design Information	1-16

ADSP-CM408F EZ-KIT LITE HARDWARE REFERENCE

System Architecture	2-2
Software-Controlled Switches (SoftConfig)	2-3
Overview of SoftConfig	2-3
SoftConfig on the ADSP-CM408F EZ-KIT LITE	2-7
Programming SoftConfig Switches	2-8
Push Buttons and Switches	2-15
Boot Mode Select Switch (SW1)	2-16
Reset Push Button (SW2)	2-16
GPIO Push Buttons (SW4-5)	2-16
Wake Push Button (SW3)	2-17
Jumpers	2-17
VREF1 External Source Jumper (JP1)	2-18
Power Select Jumper (JP2)	2-18
Buffer Input Select Jumper (JP3)	2-18
VREF0 External Source Jumper (JP4)	2-19
Power Jumpers (P4-7)	2-19
LEDs	2-20
GPIO LEDs (LED1–4)	2-21
Reset LED (LED5)	2-21
Ethernet Speed LED (LED6)	2-21
Power LED (LED7)	2-22
SYS_FAULT LED (LED8)	2-22

Contents

Connectors	2-23
Ethernet Connector (J1)	2-24
RS-485 Connector (J2)	2-24
DCE UART Connector (J3)	2-24
Asynch or Memory Connector (J4)	2-24
Character Display Connector (J5)	2-25
PWM Connector (J6)	2-25
CAN0 Connector (J7)	2-25
CAN1 Connector (J8)	2-26
Analog Connector (J9)	2-26
JTAG/SWD Connector (P1)	2-26
TRACE and JTAG/SWD/SWV Connector (P2)	2-26
USB Connector (P3)	2-27
IEEE 1588 Connector (P8)	2-27
Power Connector (P9)	2-27
VREF Buffered Connector (P10)	2-27

ADSP-CM408F EZ-KIT LITE BILL OF MATERIALS

ADSP-CM408F EZ-KIT LITE SCHEMATIC

INDEX

PREFACE

Thank you for purchasing the ADSP-CM408F EZ-KIT Lite[®], Analog Devices, Inc. low-cost evaluation system for the ADSP-CM408F mixed-signal control processor.

The ADSP-CM408F processor is based on the ARM[®] Cortex[®]-M4 processor core and is designed for motor control and industrial applications. The EZ-KIT Lite is shipped with all of the necessary hardware—you can start the evaluation immediately. The package contains the standalone evaluation board, CE-approved power supply, and USB cable. The EZ-KIT Lite version ships with the J-Link Lite ARM, while the EZ-Board[®] version requires the customer to provide an emulator.

Two expansion connectors (analog interface and PWM/digital interface) are provided for connecting boards that incorporate motors. Another expansion connector is provided for connecting an Anybus board and/or a memory/FPGA extender card.

Traditional mechanical switches for changing the board's factory setup have been removed in favor of I²C controlled software switches. The only remaining mechanical switches are the boot mode switch and push buttons.

Product Overview

The evaluation board is designed to be used in conjunction with the IAR Embedded Workbench development tools to test capabilities of the ADSP-CM408F processors. The development environment aids advanced application code development and debug, such as:

- Create, compile, assemble, and link application programs written in C++, C, and assembly
- Load, run, step, halt, and set breakpoints in application programs
- Read and write data and program memory
- Read and write core and peripheral registers

Product Overview

The board features:

- Analog Devices ADSP-CM408F processor
 - 176-pin LQFP package
 - 30 MHz CLKIN core oscillator
- SRAM memory (SMC0) chip
 - 256K x 16-bit (4M bit)
 - Cypress CY7C1041DV33
- Ethernet PHY (ETH0)
 - 10/100 Mb/s
 - Texas Instruments DP83848C

- Universal Asynchronous Receiver/Transmitter (UART0)
 - Analog Devices ADM3252E RS-232 line transceiver
 - DB9 female connector
- Universal Asynchronous Receiver/Transmitter (UART1)
 - Analog Devices ADM2682E RS-485 line transceiver
 - DB9 female connector
- Controller Area Network (CAN) interfaces
 - CAN0—Analog Devices ADM3053 transceiver and RJ11 connector
 - CAN1—Analog Devices ADM3053 transceiver and RJ11 connector
- USB interface
 - Molex 56579-0576 connector
- Display
 - New Haven NHD-0220D3Z-FL-GBW
 - 2 x 20 character
 - 2-wire interface (TWI) control
- RESET controller
 - Analog Devices ADM708 microprocessor supervisory circuits
- Debug (JTAG/SWD/SWV/TRACE) interface
 - JTAG/SWD 20-pin 0.1" header for use with IAR emulators
 - Trace/JTAG/SWD/SWV 20-pin 0.05" header

Product Overview

- LEDs
 - Eight LEDs: one power (green), one board reset (red), one Ethernet speed (green), one SYS_FAULT (red), and four general-purpose (amber)
- Push buttons
 - Four push buttons: one reset, one wake, two IRQ/Flag
- Asynchronous connector
 - 180-pin Samtec (QSH-090-01-F-D-A) 0.5 mm spacing
 - SMC0 address, data, and control
 - CLKOUT
 - SPI1
 - UART2
 - TWI0
 - GPIOs
 - RESET
 - GND/3.3V/5V output
- Pulse-width modulation (PWM) connector
 - 180-pin Samtec (QSH-090-01-F-D-A) 0.5 mm spacing
 - PWM0—PWM2
 - SINC0
 - SPI1
 - SPT0
 - TWI0

- TMR0
- CNT0—CNT3
- GPIO
- RESET
- GND/3.3V/5V output
- 5V output
- Analog connector interface
 - 120-pin Samtec (QSH-060-01-F-D-A) 0.5 mm spacing
 - ADC0
 - AGND/GND/VREF/5VOUT
 - ADR441 voltage reference (VREF)
 - ADA4899 buffer—0.1” header for reference
- 1588 connector
 - 0.1” header 6-pin
- External power supply
 - CE compliant
 - 5V @ 3.6 Amps
 - Ability to power from the PWM connector
- Other features
 - 0.05-ohm resistors for processor current measurement

For information about the hardware components of the EZ-KIT Lite, refer to [ADSP-CM408F EZ-KIT Lite Bill Of Materials](#).

Purpose of This Manual

The *ADSP-CM408F EZ-KIT Lite Evaluation System Manual* provides instructions for installing the product hardware (board). The text describes operation and configuration of the board components and provides guidelines for running your own code on the ADSP-CM408F EZ-KIT Lite. Finally, a schematic and a bill of materials are provided for reference.

Intended Audience

The primary audience for this manual is a programmer who is familiar with an ARM Cortex-M4-based processor core.

The ADSP-CM40x family of mixed-signal control processors is based on the ARM Cortex-M4 processor core with floating-point unit and integrated SRAM memory, flash memory, accelerators, and peripherals.

The applicable documentation for programming the ARM Cortex-M4 processor core includes:

- *Cortex-M4 Devices Generic User Guide*
- *CoreSight ETM-M4 Technical Reference Manual*
- *Cortex-M4 Technical Reference Manual*

For additional information on this Analog Devices processor, see the *ADSP-CM40x Mixed-Signal Control Processor Hardware Reference*. This document describes the ARM Cortex-M4 processor core and memory architecture used on the ADSP-CM40x processor, but does not provide detailed programming information for the ARM core.

For more information about programming the ARM core, visit the ARM Information Center:

<http://infocenter.arm.com/help/>

Manual Contents

The manual consists of:

- Chapter 1, [Using ADSP-CM408F EZ-KIT Lite](#)
Describes EZ-KIT Lite functionality from a programmer's perspective and provides a simplified memory map of the processor.
- Chapter 2, [ADSP-CM408F EZ-KIT Lite Hardware Reference](#)
Provides information about the EZ-KIT Lite hardware components.
- Appendix A, [ADSP-CM408F EZ-KIT Lite Bill Of Materials](#)
Provides a list of hardware components used to manufacture the EZ-KIT Lite board.
- Appendix B, [ADSP-CM408F EZ-KIT Lite Schematic](#)
Lists the resources for board-level debugging.

What's New in This Manual

This is Revision 1.1 of the *ADSP-CM408F EZ-KIT Lite Evaluation System Manual*. Changes from Revision 1.0 include an updated Bill of Materials and an updated schematic.

Technical Support

You can reach Analog Devices processors and DSP technical support in the following ways:

- Post your questions in the processors and DSP support community at EngineerZone®:
<http://ez.analog.com/community/dsp>
- Submit your questions to technical support directly at:
<http://www.analog.com/support>
- E-mail your questions about processors and processor applications to:
processor.support@analog.com or
processor.china@analog.com (Greater China support)
- In the **USA only**, call **1-800-ANALOGD** (1-800-262-5643)
- Contact your Analog Devices sales office or authorized distributor. Locate one at:
www.analog.com/adi-sales
- Send questions by mail to:
Processors and DSP Technical Support
Analog Devices, Inc.
Three Technology Way
P.O. Box 9106
Norwood, MA 02062-9106
USA

Supported Processors

This evaluation system supports Analog Devices ADSP-CM408F processors.

Supported Tools

Information on supported tools for the ADSP-CM408F EZ-KIT Lite and the ADSP-CM40x family of mixed-signal control processors is available at:

<http://www.analog.com/CM408FEZKit>

Product Information

Product information can be obtained from the Analog Devices Web site and the online help system.

Analog Devices Web Site

The Analog Devices Web site, www.analog.com, provides information about a broad range of products—analogue integrated circuits, amplifiers, converters, and digital signal processors.

To access a complete technical library for each processor family, go to http://www.analog.com/processors/technical_library. The manuals selection opens a list of current manuals related to the product as well as a link to the previous revisions of the manuals. When locating your manual title, note a possible errata check mark next to the title that leads to the current correction report against the manual.

Also note, myAnalog.com is a free feature of the Analog Devices Web site that allows customization of a Web page to display only the latest information about products you are interested in. You can choose to receive weekly e-mail notifications containing updates to the Web pages that meet your interests, including documentation errata against all manuals. myAnalog.com provides access to books, application notes, data sheets, code examples, and more.

Notation Conventions

Visit myAnalog.com (found on the Analog Devices home page) to sign up. If you are a registered user, just log on. Your user name is your e-mail address.

EngineerZone




EngineerZone is a technical support forum from Analog Devices. It allows you direct access to ADI technical support engineers. You can search FAQs and technical information to get quick answers to your embedded processing and DSP design questions.

Use EngineerZone to connect with other DSP developers who face similar design challenges. You can also use this open forum to share knowledge and collaborate with the ADI support team and your peers. Visit <http://ez.analog.com> to sign up.

Notation Conventions

Text conventions used in this manual are identified and described as follows.

Example	Description
File > Close	Titles in reference sections indicate the location of an item within the CCES environment's menu system (for example, the Close command appears on the File menu).
{this that}	Alternative required items in syntax descriptions appear within curly brackets and separated by vertical bars; read the example as <i>this</i> or <i>that</i> . One or the other is required.
[this that]	Optional items in syntax descriptions appear within brackets and separated by vertical bars; read the example as an optional <i>this</i> or <i>that</i> .
[this,...]	Optional item lists in syntax descriptions appear within brackets delimited by commas and terminated with an ellipsis; read the example as an optional comma-separated list of <i>this</i> .

Example	Description
.SECTION	Commands, directives, keywords, and feature names are in text with letter gothic font.
<i>filename</i>	Non-keyword placeholders appear in text with italic style format.
	<p>Note: For correct operation, ...</p> <p>A Note provides supplementary information on a related topic. In the online version of this book, the word Note appears instead of this symbol.</p>
	<p>Caution: Incorrect device operation may result if ...</p> <p>Caution: Device damage may result if ...</p> <p>A Caution identifies conditions or inappropriate usage of the product that could lead to undesirable results or product damage. In the online version of this book, the word Caution appears instead of this symbol.</p>
	<p>Warning: Injury to device users may result if ...</p> <p>A Warning identifies conditions or inappropriate usage of the product that could lead to conditions that are potentially hazardous for the devices users. In the online version of this book, the word Warning appears instead of this symbol.</p>

Notation Conventions

1 USING ADSP-CM408F EZ-KIT LITE

This chapter provides information to assist you with development of programs for the ADSP-CM408F EZ-KIT Lite evaluation system.

The following topics are covered.

- [Package Contents](#)
- [ADSP-CM408F EZ-Board](#)
- [Default Configuration](#)
- [IAR Embedded WorkBench and Board Installation](#)
- [IAR Embedded WorkBench Session Startup](#)
- [SRAM Memory \(U2\)](#)
- [SPI Flash](#)
- [Analog Interface](#)
- [UART0 Interface \(RS-232\)](#)
- [UART1 Interface \(RS-485\)](#)
- [CAN0 Interface](#)
- [CAN1 Interface](#)
- [USB OTG FS Interface](#)
- [Ethernet Interface](#)

Package Contents

- [Debug Interface](#)
- [Serial Liquid Crystal Display Module Interface](#)
- [Power-On-Self Test](#)
- [Expansion Interface](#)
- [Power Architecture](#)
- [Power Measurements](#)
- [Example Programs](#)
- [Reference Design Information](#)

Package Contents


Your ADSP-CM408F EZ-KIT Lite package contains the following items.

- ADSP-CM408F EZ-KIT Lite board
- Universal 5V DC power
- USB 2.0 cable
- J-Link Lite ARM (only in the EZ-KIT Lite version)

Contact the vendor where you purchased your EZ-KIT Lite or contact Analog Devices, Inc. if any item is missing.

ADSP-CM408F EZ-Board

The ADSP-CM408F EZ-KIT Lite is shipped with the J-Link Lite ARM debugger. When the product is not shipped with the debugger, it is referred to as the ADSP-CM408F EZ-Board.

 The EZ-Board requires a third party emulator.

Default Configuration

The ADSP-CM408F EZ-KIT Lite board is designed to run as a stand-alone unit.

When removing the EZ-KIT Lite board from the package, handle the board carefully to avoid the discharge of static electricity, which can damage some components.

The EZ-KIT Lite evaluation system contains ESD (electrostatic discharge) sensitive devices. Electrostatic charges readily accumulate on the human body and equipment and can discharge without detection. Permanent damage may occur on devices subjected to high-energy discharges. Proper ESD precautions are recommended to avoid performance degradation or loss of functionality. Store unused EZ-KIT Lite boards in the protective shipping package.



Default Configuration

Figure 1-1 shows the default jumper settings, connector locations, and LEDs used in installation. Confirm that your board is in the default configuration before using the board.

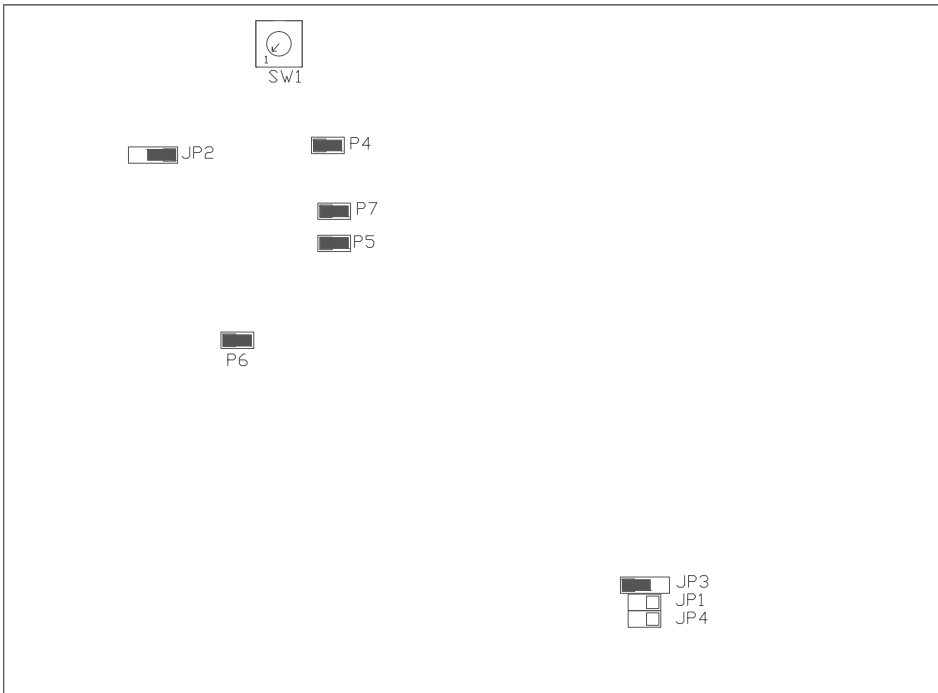


Figure 1-1. Default EZ-KIT Lite Hardware Setup

IAR Embedded WorkBench and Board Installation

For information about the IAR Embedded WorkBench[®] product and software download, go to:

<http://www.iar.com/en/Products/IAR-Embedded-Workbench>

The ADSP-CM408F EZ-KIT Lite software, based on the IAR Embedded WorkBench, can be found at:

<http://www.analog.com/CM408FEZKit>

Follow these instructions to ensure correct operation of the product software and hardware.

Step 1: Connect the EZ-KIT Lite board to a personal computer (PC) running **IAR Embedded WorkBench** using a J-Link/J-Trace emulator.

1. Plug one side of the USB cable into the USB connector of the emulator. Plug the other side into a USB port of the PC running **IAR Embedded WorkBench**.
2. Attach the emulator to the header connector, P1 or P2, on the EZ-KIT Lite board.

Step 2: Attach the provided cord and appropriate plug to the 5V power adaptor.

1. Plug the jack-end of the power adaptor into the power connector P9 (labeled 5V) on the EZ-KIT Lite board.
2. Plug the other side of the power adaptor into a power outlet. The power LED (labeled LED7) is lit green when power is applied to the board.

IAR Embedded WorkBench Session Startup

It is assumed that the **IAR Embedded WorkBench** software is installed and running on your PC.

1. Navigate to the **IAR Embedded WorkBench** environment via the **Start** menu.

Note that IAR Embedded WorkBench is not connected to the target board.

2. Choose **File > Open > Workspace** to open a workspace for the project to download and debug.
3. Choose **Project > Options**.

The **General Options, Target** page appears.

4. In **Processor variant**, ensure **Device** is **AnalogDevices ADSP-CM40z-X_Y**, where **X** is the SRAM size in KB and **Y** is the internal flash size in KB of the part on the target board.

On the Analog Devices ADSP-CM408F EZ-KIT Lite, SRAM size is 384 KB, and internal flash size is 2048 KB.

5. Choose **Debugger** in the **Category** pane.

The **Debugger, Setup** options page appears.

- a. In **Driver**, choose **J-Link/J-Trace** as the emulator to be used to debug the target board.
- b. Click the **Download** tab. The **Debugger, Download** options page appears.
- c. Ensure **Use flash loader(s)** is enabled. Note that other download settings are optional.

6. Choose **Debugger > J-Link/J-Trace** in the **Category** pane.

The emulator **Setup** options page appears.

- a. On the **Setup** page,
 - In **Reset**, select **Connect during reset** from the drop-down list.
 - In **JTAG/SWD speed**, select **Auto**.
 - (Optional) In **Clock setup**, change the default values.
 - b. On the **Connection** page,
 - In **Communication**, select **USB** and **Device 0**.
 - In **Interface**, select **JTAG** or **SWD**.
7. Click **OK** to save the emulator settings.
 8. Choose **Project > Debug and Download** to download the project and start debugging.

SRAM Memory (U2)

The ADSP-CM408F processor is connected to a 4 Mb Cypress asynchronous SRAM device (CY7C1041DV33). The upper and lower halves of the 16-bit-wide data bus are connected to SoftConfig circuitry, which disconnects the expansion interface. The connection to the expansion interface is OFF by default.

Byte-enable signals ABE0 and ABE1 on the processor's pins PE_12 and PE_13 (respectively) are not connected by default; can be connected via SoftConfig.

For more information, refer to the SRAM example in the POST, which is included in the ADSP-CM40x Enablement Software.

SPI Flash

The EZ-KIT Lite ships with an internal 4 MB SPI flash, connected via the SPI2 interface, which is used for booting and scratchpad space. Refer to the *ADSP-CM40x Mixed-Signal Control Processor Hardware Reference* for more information about the internal SPI flash.

For more information, refer to the SPI flash example in the POST, which is included in the ADSP-CM40x Enablement Software.

Analog Interface

The ADSP-CM408F processor provides two 16-bit ADCs with 8 inputs each, ADC0 and ADC1. The ADC signals are connected to the Analog expansion connector (J9). Refer to [ADSP-CM408F EZ-KIT Lite Schematic](#) for more information.

Voltage reference for the ADC channels can be supplied internally from the processor or externally by ADR441 ICs. U5 is the VREF0 supply


external source, and U47 is its VREF1 equivalent. To select the external source for either supply, place a jumper on JP1 or JP4. Refer to [ADSP-CM408F EZ-KIT Lite Schematic](#) for more information.

A buffered version of the voltage reference is available on J9 via a unity gain buffer ADA4889 (U33). By default, the internal VREF0 source is selected as the input to the buffer (JP3 positions 1 and 2). If the external voltage reference is desired, change the jumper to JP3 positions 2 and 3.

Voltage references for the analog inputs are configurable; refer to [Jumpers](#) for more information.

UART0 Interface (RS-232)

The ADSP-CM408F processor has three built-in universal asynchronous transmitters (UARTs). UART0 is connected to a RS-232 line transmitter. UART0 has full RS-232 functionality via the Analog Devices ADM3252E isolated line driver and receiver (U36).

 The EZ-KIT Lite voltage isolation components are not intended for protecting external products. The isolated ICs are used to showcase Analog Devices product portfolio only. Adequate voltage isolation of any external devices/boards is the user responsibility.

Pin PC_02/UART0_TX/TRACE_D03/SPIO_RDY of the processor is connected to the ADM3315 device directly and used for UART transmit.

Pin PC_01/UART0_RX/SMCO_A05/TMO_ACI5 is connected through SoftConfig by default and used for UART receive. (This can be changed using SoftConfig.)

By default, the UART0 CTS signal is not connected, and the UART0 RTS signal is connected to RS-232. Both connections can be changed through SoftConfig.

UART1 Interface (RS-485)


The SoftConfig switches also allow the loopback of CTS and RTS. The UART0 CTS can be added as an input to the reset circuit through SoftConfig. Refer to [Software-Controlled Switches \(SoftConfig\)](#) for more information.

For more information, refer to the UART0 example in the POST, which is included in the ADSP-CM40x Enablement Software. Note that the loopback of TX and RX data is done through an external connector.

UART1 Interface (RS-485)

UART1 is connected to a RS-485 line transmitter. UART1 has full RS-485 functionality via the Analog Devices ADM2682E isolated line driver and receiver (U39) that can transmit at 16 Mbps.

The EZ-KIT Lite is designed to be the end node in a network; therefore, it has a termination resistor (R44) installed with a value of 120 ohms. If the board is intended to be a middle node in the network, the resistor can be removed.


 The EZ-KIT Lite voltage isolation components are not intended for protecting external products. The isolated ICs are used to showcase Analog Devices product portfolio only. Adequate voltage isolation of any external devices/boards is the user responsibility.

The UART1 transmit and receive signals are connected to the RS-485 transmitter directly from the processor. The ADM2682E device has driver enable and receiver enable signals, controlled by SoftConfig. The driver enable and receiver enable signals are disabled by default. Refer to [Software-Controlled Switches \(SoftConfig\)](#) for more information.

For more information, refer to the UART1 example in the POST, which is included in the ADSP-CM40x Enablement Software. Note that the loopback of the differential signals is done through an external connector.

CAN0 Interface

The Controller Area Network 0 (CAN0) interface of the EZ-KIT Lite is connected to the Analog Devices ADM3053 isolated CAN transceiver. The transceiver is attached to the CAN0 port of the ADSP-CM408F processor via an RJ-11 connector (J7). See [CAN0 Connector \(J7\)](#).


 The EZ-KIT Lite voltage isolation components are not intended for protecting external products. The isolated ICs are used to showcase Analog Devices product portfolio only. Adequate voltage isolation of any external devices/boards is the user responsibility.

The CAN0 transmit and receive signals are connected through the SoftConfig switches and enabled by default. See [Software-Controlled Switches \(SoftConfig\)](#).

For more information, refer to the CAN0 example in the POST, which is included in the ADSP-CM40x Enablement Software.

CAN1 Interface

The Controller Area Network 1 (CAN1) interface of the EZ-KIT Lite is connected to the Analog Devices ADM3053 isolated CAN transceiver. The transceiver is attached to the CAN1 port of the ADSP-CM408F processor via an RJ-11 connector (J8). See [CAN1 Connector \(J8\)](#).

 The EZ-KIT Lite voltage isolation components are not intended for protecting external products. The isolated ICs are used to showcase Analog Devices product portfolio only. Adequate voltage isolation of any external devices/boards is the user responsibility.

The CAN1 transmit and receive signals are connected through the SoftConfig switches and enabled by default. See [Software-Controlled Switches \(SoftConfig\)](#).

USB OTG FS Interface

For more information, refer to the CAN1 example in the POST, which is included in the ADSP-CM40x Enablement Software.

USB OTG FS Interface

The ADSP-CM408F processor has an integrated USB PHY; the EZ-KIT Lite provides a mini AB connector. The board only supports USB full speed mode.

The board allows 5V at 500 mA to a peripheral device by enabling the FET switch (U44). The USB controller controls the FET switch through the USB_VBC signal.

To learn about the processor's device and host modes, refer to the USB example in the POST, which is included in the ADSP-CM40x Enablement Software. For more information, refer to the *ADSP-CM40x Mixed-Signal Control Processor Hardware Reference*.

Ethernet Interface

The ADSP-CM408F processor features a Reduced Media Independent Interface (RMII), which connects to an external Ethernet PHY device (ETH0). The EZ-KIT Lite provides a Texas Instruments DP83848C, Auto-MDIX, fully-compliant PHY with IEEE 802.2/802.2u standards.

The PHY supports 10BASE-T and 100BASE-TX operations and is connected to a standard RJ-45 connector (J1). The IEEE 1588 time stamping signals can be probed on connector P8. For more information, see [Ethernet Connector \(J1\)](#) and [IEEE 1588 Connector \(P8\)](#). Link and activity LEDs are integrated into the RJ45 connector. The speed indication LED (LED6) is located next to the RJ45 connector. See [Ethernet Speed LED \(LED6\)](#).

The MAC address is printed on the back of the EZ-KIT Lite board; the address must be set in software to use the Ethernet.

The Ethernet PHY device is disabled via SoftConfig. Refer to [Software-Controlled Switches \(SoftConfig\)](#) for more information.

For more information, refer to the ethernet example in the POST, which is included in the ADSP-CM40x Enablement Software.

Debug Interface

The EZ-KIT Lite provides a JTAG/SWD/SWV connection via a connector (P1), which is a 0.1" header. A 4-bit trace connection also is available via a connector (P2). See [JTAG/SWD Connector \(P1\)](#) and [TRACE and JTAG/SWD/SWV Connector \(P2\)](#) for more information.

Serial Liquid Crystal Display Module Interface

Connector J5 mates with the Newhaven Display International NHD-0220D3Z-FL-GBW-V3, a 2-line by 20-character display with a yellow/green backlight.

The display is written using the TWI interface. The TWI address of the display is 0x50. The maximum clock rate for the display is 100 kHz. The display can be removed if the frequency limitation poses a problem.

For more information, refer to the serial liquid crystal display example in the POST, which is included in the ADSP-CM40x Enablement Software.

Power-On-Self Test

The Power-On-Self-Test Program (POST) tests all EZ-KIT Lite peripherals and validates functionality as well as connectivity to the processor. Once assembled, each EZ-KIT Lite is fully tested for an extended period of time with POST. All EZ-KIT Lite boards are shipped with POST preloaded into flash memory. The POST is executed by resetting the board and pressing the proper push button(s). The POST also can be used as a reference for a custom software design or hardware troubleshooting.

Note that the source code for the POST program is included in the ADSP-CM40x Enablement Software along with the `readme.txt` file that describes how the board is configured to run POST.


Expansion Interface

The expansion interface allows a custom-design daughter board to be tested across various hardware platforms that have the same expansion interface.

The expansion interface implemented on the ADSP-CM408F EZ-KIT Lite consists of three connectors: [Asynch or Memory Connector \(J4\)](#), [PWM Connector \(J6\)](#), and [Analog Connector \(J9\)](#). The connectors contain a majority of the processor's signals. For pinout information, go to [ADSP-CM408F EZ-KIT Lite Schematic](#).

Limits to current and interface speed must be taken into consideration when using the expansion interface. Current for extenders connected to J4 or J6 can be sourced from the EZ-KIT Lite; therefore, the current should be limited to 250 mA for 5V, and 200 mA from the 3.3V planes. If more current is required, a separate power connector and a regulator must be designed on the daughter card. Additional circuitry implemented on

extender cards can add extra loading to signals, decreasing their maximum effective speed.

 Analog Devices does not support and is not responsible for the effects of additional circuitry.

Power Architecture

The ADSP-CM408F EZ-KIT Lite has two primary voltage domains: 3.3V and 1.2V. The main input is a 5V wall adaptor. The 5V source can be selected via JP2 to input from the PWM connector (J6) as an alternative to the wall power adaptor. Refer to [PWM Connector \(J6\)](#) and [Power Select Jumper \(JP2\)](#) for details.

The Analog Devices ADP2119 controller provides 3.3V for the VDD_EXT signal and the 3.3V power requirements of the board. The VDD_INT signal is delivered through either Analog Devices regulator ADP2119 (VR1) or a PNP transistor (Q1).

A FET switch (U44) controls the 5V to the USB devices over the USB_VBUS signal.

Power Measurements

Locations are provided for measuring the current draw from various power planes. Precision 0.05 ohm shunt resistors are available on the VDD_EXT, VDD_INT, USB_VBUS, and 3.3V and voltage domains. For current draw, the jumper is removed, voltage across the resistor can be measured using an oscilloscope, and the value of the resistor can be measured using a precision multi-meter. Once voltage and resistance are measured, the current can be calculated by dividing the voltage by the resistance. For the highest accuracy, a differential probe should be used for measuring the voltage across the resistor. For more information, refer to [Power Jumpers \(P4-7\)](#).

Example Programs

Example programs are provided with the ADSP-CM40x Enablement Software to demonstrate various capabilities of the product. The programs can be found in the `CM403F_CM408F_EZ-KIT\examples` folder. Refer to a readme file provided with each example for more information.

Reference Design Information

A reference design info package is available for download on the Analog Devices Web site. The package provides information on the design, layout, fabrication, and assembly of the EZ-KIT Lite.

The information can be found at:

<http://www.analog.com/CM408FEZKit>

2 ADSP-CM408F EZ-KIT LITE HARDWARE REFERENCE

This chapter describes the hardware design of the ADSP-CM408F EZ-KIT Lite board.

The following topics are covered.

- [System Architecture](#)
Describes the board's configuration and explains how the board components interface with the processor.
- [Software-Controlled Switches \(SoftConfig\)](#)
Lists and describes the processor signals routed through the software-controlled switches.
- [Push Buttons and Switches](#)
Shows the locations and describes the push buttons and switches.
- [Jumpers](#)
Shows the locations and describes the configuration jumpers.
- [LEDs](#)
Shows the locations and describes the LEDs.
- [Connectors](#)
Shows the locations and provides part numbers for the on-board connectors. In addition, the manufacturer and part number information is provided for the mating parts.

System Architecture

This section describes the processor's configuration on the EZ-KIT Lite board (Figure 2-1).

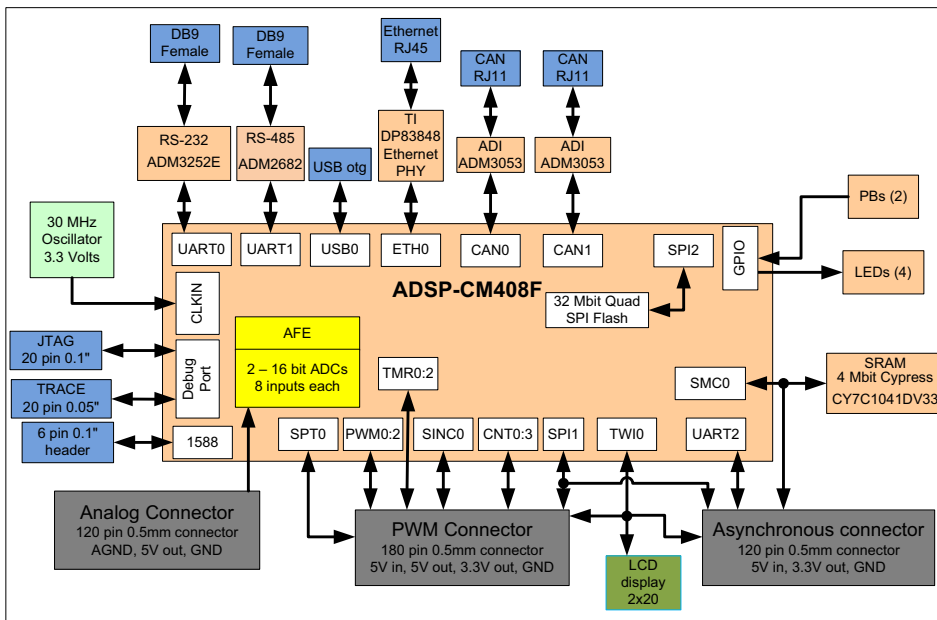


Figure 2-1. EZ-KIT Lite Block Diagram

This EZ-KIT Lite is designed to demonstrate the ADSP-CM408F processor's capabilities. The ADSP-CM408F EZ-KIT Lite has a 30 MHz input clock and runs at 240 MHz internally.

USB circuitry and a mini USB AB connector are provided for connecting to the EZ-KIT Lite as a host or a device. The frequency for the USB circuit is generated internally to the processor.

User I/O to the processor is provided in the form of two user push buttons and four LEDs. The software-controlled switches (SoftConfig) facilitate the switch multi-functionality by disconnecting the push buttons from their associated processor pins and reusing the pins elsewhere on the board. See [ADSP-CM408F EZ-KIT Lite Schematic](#) for more information.

Software-Controlled Switches (SoftConfig)

On the ADSP-CM408F EZ-KIT Lite, most of the traditional mechanical switches have been replaced by I²C software-controlled switches. The remaining mechanical switches are provided for the boot mode and push buttons. Reference any `SoftConfig*.c` file found in the installation directory for an example of how to set up the SoftConfig feature of the ADSP-CM408F EZ-KIT Lite through software.

The SoftConfig section of this manual serves as a reference to any user that intends to modify an existing software example. If software provided from ADI is used, there should be little need to reference this section.



Care should be taken when changing SoftConfig settings not to create a conflict with interfaces. This is especially true when connecting extender cards.

Overview of SoftConfig

In order to further clarify the use of electronic single FET switches and multi-channel bus switches, an example of each is illustrated and compared to a traditional mechanical switching solution. This is a generic example that uses the same FET and bus switch components that are on the EZ-KIT Lite.

After this generic discussion there is a detailed explanation of the SoftConfig interface specific to the ADSP-CM408F EZ-KIT Lite.

Software-Controlled Switches (SoftConfig)

Figure 2-2 shows two individual FET switches (Pericom PI3A125CEX) with reference designators UA and UB. Net names `ENABLE_A` and `ENABLE_B` control UA and UB. The default FET switch enable settings in this example are controlled by resistors `RA` and `RB` which pull the enable pin 1 of UA and UB to ground (low). In a real example, these enable signals are controlled by the Microchip IO expander. The default pull-down resistors connects the signals `EXAMPLE_SIGNAL_A` and `EXAMPLE_SIGNAL_B` and also connects signals `EXAMPLE_SIGNAL_C` and `EXAMPLE_SIGNAL_D`. To disconnect `EXAMPLE_SIGNAL_A` from `EXAMPLE_SIGNAL_B`, the Microchip IO expander is used to change `ENABLE_A` to a logic 1 through software that interfaces with the Microchip. The same procedure for `ENABLE_B` would disconnect `EXAMPLE_SIGNAL_C` from `EXAMPLE_SIGNAL_D`.

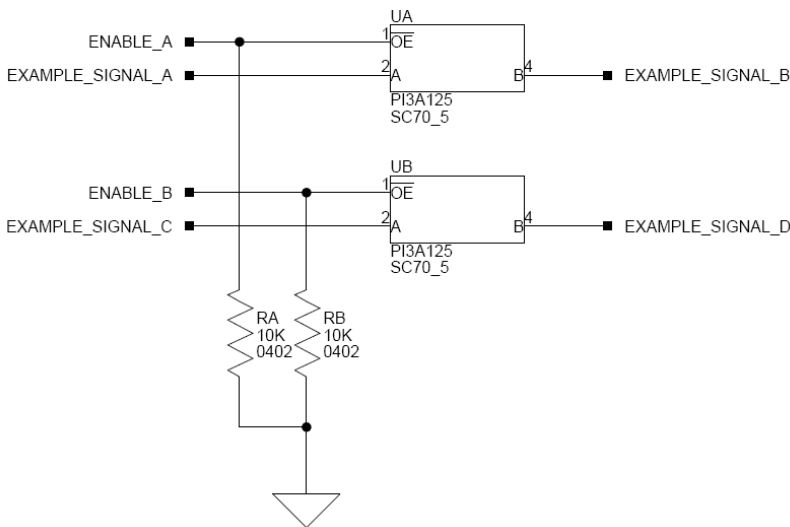


Figure 2-2. Example of Individual FET Switches

Figure 2-3 shows the equivalent circuit to Figure 2-2 but utilizes mechanical switches that are in the same package. Notice the default is shown by black boxes located closer to the ON label of the switches. In order to disconnect these switches, physically move the switch to the OFF position.

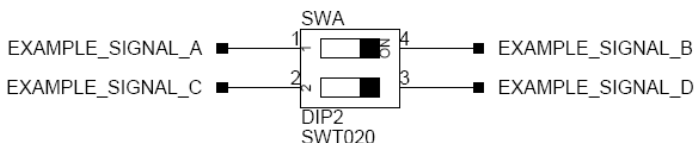


Figure 2-3. Example of Mechanical Switch Equivalent to Figure 2-2

Figure 2-4 shows a bus switch example, reference designator UC (Pericom PI3LVD512ZHE), selecting between lettered functionality and numbered functionality. The signals on the left side are multiplexed signals with naming convention `letter_number`. The right side of the circuit shows the signals separated into letter and number, with the number on the lower group (eg. `OB1`) and the letter on the upper group (eg. `OB2`). The default setting is controlled by the signal `CONTROL_LETTER_NUMBER` which is pulled low. This selects the number signals on the right to be connected to the multiplexed signals on the left by default. In this example, the Microchip IO expander is not shown but controls the signal `CONTROL_LETTER_NUMBER` and allows the user to change the selection through software.

Figure 2-5 shows the equivalent circuit to Figure 2-4 but utilizes mechanical switches. Notice the default for reference designators `SWC` and `SWD` is illustrated by black boxes located closer to the ON label of the switches to enable the number signals by default. Also notice the default setting for reference designators `SWE` and `SWF` is OFF. In order to connect the letters instead of the numbers, the user physically changes all switches on `SWC` and `SWD` to the OFF position and all switches on `SWE` and `SEF` to the ON position.

Software-Controlled Switches (SoftConfig)

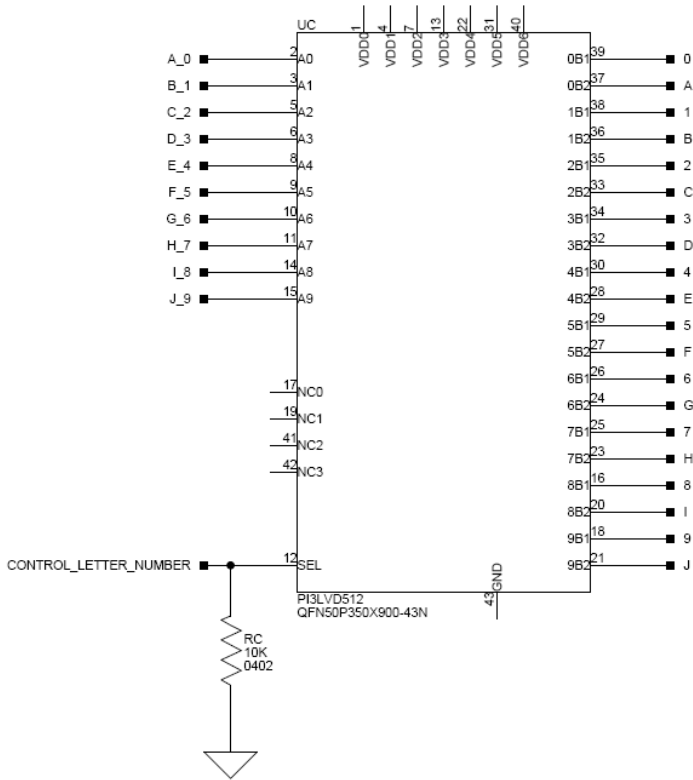


Figure 2-4. Example of Bus Switch

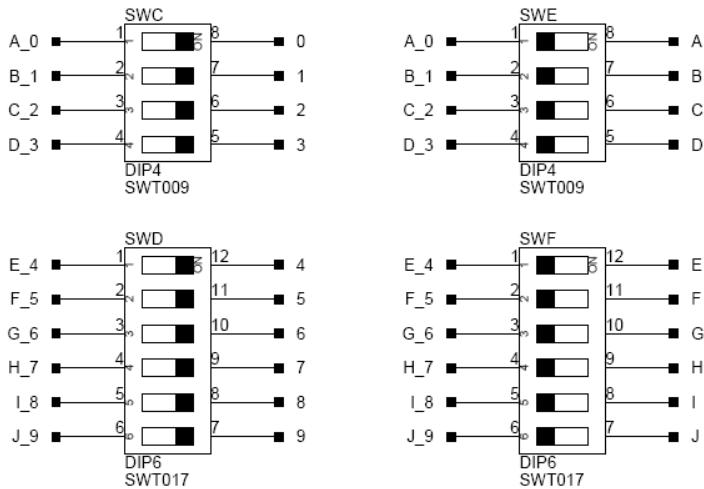


Figure 2-5. Example of Mechanical Switch Equivalent to [Figure 2-4](#)

SoftConfig on the ADSP-CM408F EZ-KIT LITE

Two Microchip MCP23017 GPIO expanders provide control for individual electronic switches. The TWI0 interface of the processor communicates with the Microchip devices. There are 33 individual switches with default settings that enable basic board functionality.

[Table 2-1](#) lists the ADSP-CM408F processor and EZ-KIT Lite interfaces that are available by default. Note that only interfaces affected by software switches are listed in [Table 2-1](#).

Software-Controlled Switches (SoftConfig)

Table 2-1. Default ADSP-CM408F Processor Interface Availability

Interface	Availability by Default
UART0	RS-232 RX, TX and RTS enabled by default. SoftConfig required for other functionality.
UART1	RS-485 is connected by default but not enabled. SoftConfig is required to enable.
CAN0	Enabled
CAN1	Enabled
EMAC0	RMII interface, management data input/output and 50 MHz oscillator disabled by default. PHYINT disconnected from processor by default.
Push buttons	Enabled (except for wake push button)
LEDs	Enabled

Programming SoftConfig Switches

On the ADSP-CM408F EZ-KIT Lite, two Microchip MCP23017 devices exist. Each of these devices have the following programming characteristics:

- Each switch has two programmable GPIO registers.

GPIO Register	Register Address
GPIOA	0x12
GPIOB	0x13

- Each GPIO register controls eight signals (software switches).

- By default, the Microchip MCP23017 GPIO signals function as input signals.

The signals must be programmed as output signals to override their default values. The following table shows the Microchip register addresses and the values that must be written to them to program the signals as output signals.

IODIR Register	IODIR Register Address	Value to be Written to Program Signals as Outputs
IODIRA	0x00	0
IODIRB	0x01	0

Each of the examples in the ADSP-CM40x Enablement Software include source files that program the soft switches, even if the default settings are being used. The README for each example identifies only the signals that are being changed from their default values. The code that programs the soft switches is located in the `SoftConfig_CM408F.c` file in each example.

The following tables ([Table 2-2](#) and [Table 2-3](#)) outline the default values for each of the two Microchip MCP23017 devices.

Table 2-2. I²C Hardware Address 0x40

GPIO	MCP23017 Register Address	Default Value
GPIOA	0x12	0xE0
GPIOB	0x13	0x00

Table 2-3. I²C Hardware Address 0x42

GPIO	MCP23017 Register Address	Default Value
GPIOA	0x12	0xB9
GPIOB	0x13	0x3F

Software-Controlled Switches (SoftConfig)

The [ADSP-CM408F EZ-KIT Lite Schematic](#) shows how the two Microchip GPIO expanders are connected to the board's ICs.

Table 2-4 and Table 2-5 show the output signals of the Microchip GPIO expander (U40), with a TWI address of 0100 001X, where X represents the read or write bit. The signals that control an individual FET have an entry under the **FET** column. The **Component Connected** column shows the board IC that is connected if the FET is enabled. The Microchip (U40) is controlling the enable signal of a FET switch. Also note that if a particular functionality of the processor signal is being used, it will be in **bold font** under the **Processor Signal** column.

Table 2-4. Output Signals of Microchip GPIO Expander (U40 Port A)

Bit	Signal Name	Description	FET	Processor Signal (if applicable)	Component Connected	Default
0		Not used				Low
1		Not used				Low
2		Not used				Low
3	UART0RTS_EN	UART0 RTS connected to RS-232 transceiver	U13	PB_04/PWM2_SYNC/ UART0_RTS / SPT0_ATDV/ SMC0_D12/CNT1_UD	U36	Low
4	UART0RX_EN	UART0 RX connected to RS-232 transceiver	U14	PC_01/ UART0_RX / SMC0_A05/TM0_AC15	U36	Low
5	UART0CTS_EN	UART0 CTS disconnected from RS-232 transceiver by default	U15	PB_05/PWM2_TRIP0/ UART0_CTS /TM0_T- MR7/SMC0_D13/ CNT1_DG	U36	High

Table 2-4. Output Signals of Microchip GPIO Expander
(U40 Port A) (Cont'd)

Bit	Signal Name	Description	FET	Processor Signal (if applicable)	Component Connected	Default
6	UARTOCTS_RTS_LPBK	UART0 CTS and RTS not connected; change to low for looping back RS-232 CTS and RTS signals	U16		U36	High
7	UARTOCTS_RST_EN	UART0 CTS signal not connected to input of reset IC	U17		U36	High

Table 2-5. Output Signals of Microchip GPIO Expander
(U40 Port B)

Bit	Signal Name	Description	FET	Processor Signal (if applicable)	Component Connected	Default
0	CANO_EN	Enables CAN 0, enabled by default	U18/ U19	PC_00/ <u>CANO_TX</u> / SPT1_BTDV/ UART1_TX/ SMCO_A04 and PB_15/ <u>CANO_RX</u> / SPT1_ATDV/ UART1_RX/ SMCO_A03/TMO_A- CI4	U39	Low
1	PUSHBUTTON1_EN	PF_10 is used as GPIO input for push button 1, enabled by default	U31	<u>PF_10</u> /ETH0_PTP- CLKIN	U39	Low
2	PUSHBUTTON2_EN	PE_08 is used as GPIO input for push button 2, enabled by default	U30	<u>PE_08</u> / ETH0_PTPPPS/ SMCO_A22/ CNT2_ZM	U39	Low
3	LED1_GPIO_EN	PE_07 is used as GPIO output for LED1, enabled by default	U28	<u>PE_07</u> /ETH0_PT- PAUXIN/SMCO_A21	U5	Low

Software-Controlled Switches (SoftConfig)

Table 2-5. Output Signals of Microchip GPIO Expander (U40 Port B) (Cont'd)

Bit	Signal Name	Description	FET	Processor Signal (if applicable)	Component Connected	Default
4	LED2_GPIO_EN	PE_06 is used as GPIO output for LED2, enabled by default	U27	PE_06 /SMC0_A20	U5	Low
5	LED3_GPIO_EN	PE_05 is used as GPIO output for LED3, enabled by default	U26	PE_05 /SMC0_A19	U5	Low
6	LED4_GPIO_EN	PE_09 is used as GPIO output for LED4, enabled by default	U25	PE_09 /ETH0_CRS/ SMC0_A23/ CNT2_UD	U5	Low
7		Not used				

Table 2-6 and Table 2-7 show the output signals of the Microchip GPIO expander (U41), with a TWI address of 0100 010X, where X represents the read or write bit. The signals that control an individual FET have an entry under the **FET** column. The **Component Connected** column shows the board IC that is connected if the FET is enabled. Note that some of the Microchip (U41) output signals are connected directly to components on the board. However, in most cases, the Microchip (U41) is controlling the enable signal of a FET switch. Also note that if a particular functionality of the processor signal is being used, it will be in **bold font** under the **Processor Signal** column.

ADSP-CM408F EZ-KIT Lite Hardware Reference

Table 2-6. Output Signals of Microchip GPIO Expander
(U41 Port A)

Bit	Signal Name	Description	FET/ SWITCH	Processor Signal (if applicable)	Component Connected	Default
0	RS485_RE	Controls RS-485 receiver enable			U39	High
1	RS485_DE	Controls RS-485 driver enable			U39	Low
2	CAN1_EN	Enables CAN 1, enabled by default	U20/U21	PB_11/SINCO_D0/ SPI0_D3/CAN1_TX/ SMCO_AMS0/TMO_A- CLK1 and PB_10/ SINCO_CLK0/ SPI0_D2/CAN1_RX/ SMCO_AWE/TMO_AC11	U37	Low
3	ETH0_MDIO_BUS_EN	Connects Ethernet management data input/output, disabled by default	U22/U23	PE_11/ETH0_MDC/ SMCO_A24/CNT3_ZM and PE_10/ETH_M- DIO/SMCO_AMS1/ CNT2_DG	U43	High
4	ETHERNET_EN	Connects ETH0 to RMI interface of U32, by default disabled	U32	PF_00, PF_01, PE_12, PE_13, PE_14, PE_09	U43	High
5	PHYINT_EN ¹	Connects Ethernet 0 interrupt signal to Ethernet PHY, not connected by default	U24	PC_06/SPI0_SEL1/ PWM2_DL/SYS_D- SWAKE0	U43	High
6	RMI_CLK_EN	Enables 50 MHz oscillator, disabled by default		PE_15/ETH0_REF- CLK/CNT1_OUTB	U35	Low
7	WAKE_PUSHBUTTON_EN	Connects processor to wake push button, disabled by default	U29	PC_06/SPI0_SEL1/ PWM2_DL/SYS_D- SWAKE_ACLK3		High

1 This signal is actually active low.

Software-Controlled Switches (SoftConfig)

Table 2-7. Output Signals of Microchip GPIO Expander (U41 Port B)

Bit	Signal Name	Description	FET/ SWITCH	Processor Signal (if applicable)	Component Connected	Default
0	DATA_LOW_EXP_EN	Connects signals to expansion interface connector J6, disconnected by default	U12	PC_08, PC_09, PC_10, PC_11, PC_12, PC_13, PC_14, PC_15	J6	High
1	DATA_HIGH_EXP_EN	Connects signals to expansion interface connector J6, disconnected by default	U11	PD_00, PD_01, PD_02, PD_03, PD_04, PD_05, PD_06, PD_07	J6	High
2	TRACE_EXP_EN	Connects signals to expansion interface connector J6, disconnected by default	U51, U52, U53, U54, U55	PE_12, PE_13, PE_09, PE_11, PE_10	J6	High
3	PB_08_09_EXP_EN	Connects signals to expansion interface connector J6, disconnected by default	U49/U50	PB_08/PWM2_BH/ TMO_TMR1/ UART1_RX/ SMCO_ARDY/ TMO_AC12 and PB_09/PWM2_BL/ TMO_TMR2/ UART1_TX/ SMCO_ARE	J6	High
4	ETH_EXP_EN	Connects signals to expansion interface connector J4, disconnected by default	U56, U57, U58, U59, U60	PE_12, PE_13, PE_09, PE_11, PE10	J4	High
5	SRAM_BYTE_EN	Connects SRAM ABE0/1 signals to SRAM	U4, U7	PE_12, PE_13	U2	High
6		Not used				Low
7		Not used				Low

Push Buttons and Switches

This section describes operation of the push buttons and switches. The push button and switch locations are shown in [Figure 2-6](#).

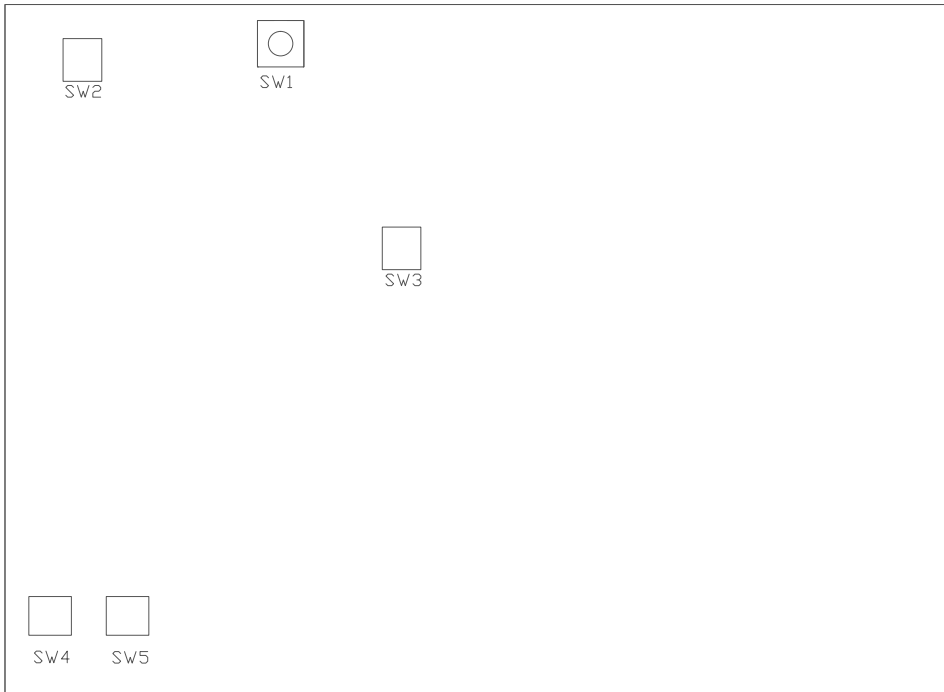


Figure 2-6. Push Button and Boot Mode Switch Locations

Push Buttons and Switches

Boot Mode Select Switch (SW1)

The rotary switch (SW1) determines the boot mode of the processor. [Table 2-8](#) shows the available boot mode settings. By default, the ADSP-CM408F processor boots from the internal SPI flash memory.

Table 2-8. Boot Mode Select Switch (SW1)

SW1 Position	Processor Boot Mode
0	No Boot – Idle
1	SPI master boot (internal SPI2). Default boot mode.
2	SPI slave boot (SPI0)
3	UART boot (UART0)

Reset Push Button (SW2)

The reset push button (SW2) resets the following ICs: processor (U1), GPIO extender (U40), GPIO extender (U41), and Ethernet PHY (U43). The reset also is connected to the expansion interface via the $\overline{\text{SYS_HWRST}}$ signal.

GPIO Push Buttons (SW4-5)

The GPIO push buttons (SW4 and SW5) are connected to the processor's signals PF_10/ETH0_PTPCLKIN and PE_08/ETH0_PTPPPS/SMC0_A22/CNT2_ZM, respectively. The signals are connected by default.

Wake Push Button (SW3)

The wake push button (SW3) is connected to the processor's signal `PC_06/SPI0_SEL1/PWM2_DL/SYS_DSWAKE0`. The signal is disconnected by default through SoftConfig.

Jumpers

This section describes functionality of the configuration jumpers. [Figure 2-7](#) shows the jumper locations.



Figure 2-7. Jumper Locations

VREF1 External Source Jumper (JP1)

The VREF1 external source jumper (JP1) selects whether an internal or external voltage reference supplies the VREF1 signal of the processor. When a jumper on JP1 is not installed (default), the internal voltage reference supplies VREF1. When a jumper on JP1 is installed, the external Analog Devices ADR441 ultra-low noise voltage reference (U47) supplies VREF1. Configure the processor's registers accordingly for the latter case.

Power Select Jumper (JP2)

The power select jumper (JP2) selects the wall power (5V) when a jumper is placed on positions 1 and 2. When a jumper is placed on positions 2 and 3, power from pins 177, 178, 179 and 180 of the PWM connector (J6) is supplied to the board. The default setting is positions 1 and 2, which selects wall power.

Buffer Input Select Jumper (JP3)

The buffer input select jumper (JP3) selects the input to the ADA4889 unity gain op amp buffer (U33). The processor's internal input is selected by placing a jumper on pins 1 and 2 of JP3 (default).

The external VREF0 input, supplied by the Analog Devices ADR441 ultra-low noise voltage reference (U6), is selected by placing a jumper on pins 2 and 3 of JP3.

VREF0 External Source Jumper (JP4)

The VREF0 external source jumper (JP4) selects whether an internal or external voltage reference supplies the VREF0 signal of the processor. When a jumper on JP4 is not installed (default), the internal voltage reference supplies VREF0. When a jumper on JP4 is installed, the external Analog Devices ADR441 ultra-low noise voltage reference (U6) supplies VREF0. Configure the processor's registers accordingly for the latter case.

Power Jumpers (P4-7)

Remove jumpers listed in [Table 2-9](#) to measure the respective voltage across the adjacent sense resistor.

Table 2-9. Power Jumpers

Power Jumper	Resistor
P4	USB_VBUS
P5	VDD_EXT
P6	VDD_INT
P7	3.3V

LEDs

LEDs

This section describes the on-board LEDs. [Figure 2-8](#) shows the LED locations.

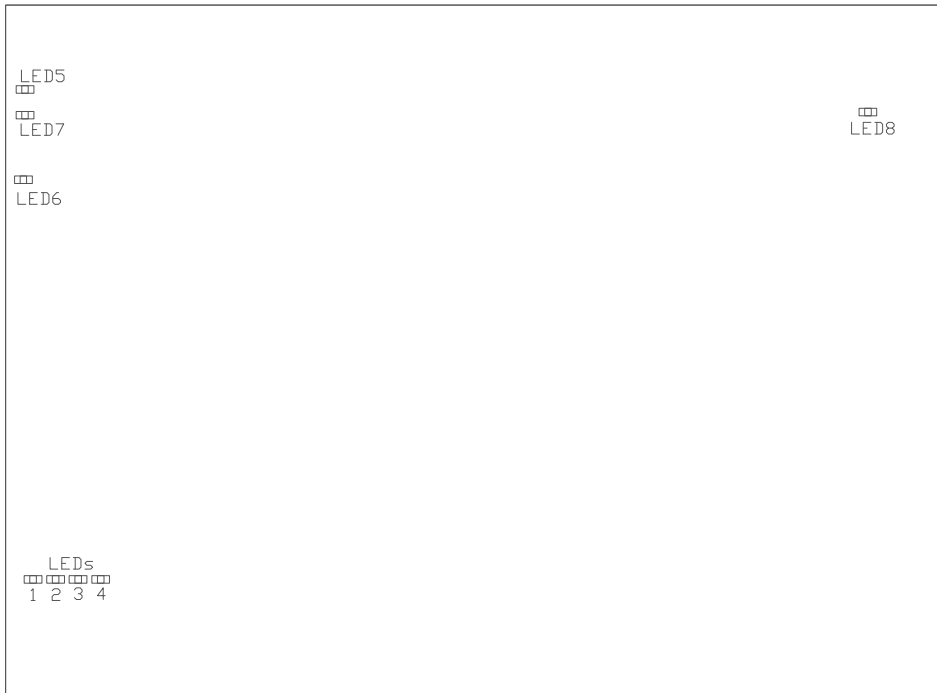


Figure 2-8. LED Locations

GPIO LEDs (LED1–4)

Four LEDs are connected to the general-purpose I/O pins of the processor (see [Table 2-10](#)). The LEDs are active high and are ON (amber) by writing a 1 to the correct processor signal.

Table 2-10. GPIO LEDs

LED Reference Designator	Processor Programmable Flag Pin
LED1	PE_07
LED2	PE_06
LED3	PE_05
LED4	PE_09

Reset LED (LED5)

When LED5 is ON (red), it indicates that the master reset of all the major ICs is active. The reset LED is controlled by the Analog Devices ADM708 supervisory reset circuit. A master reset is asserted by pressing SW2 which activates LED5. For more information, see [Reset Push Button \(SW2\)](#).

Ethernet Speed LED (LED6)

The Ethernet speed LED (LED6) is a green LED that shows the connection speed when the Ethernet is enabled. When LED6 is ON, the speed is 100 Mb/s; when LED6 is OFF, the speed is 10 Mb/s. For more information, see [Ethernet Interface](#).

LEDs

Power LED (LED7)

When LED7 is ON (green), it indicates that power is being supplied to the board properly. For more information, see [Power Architecture](#).

SYS_FAULT LED (LED8)

When SYS_FAULT LED LED8 (red) is ON, it indicates a system fault. For more information, refer to the *ADSP-CM40x Mixed-Signal Control Processor Hardware Reference*.

Connectors

This section describes connector functionality and provides information about mating connectors. The connector locations are shown in [Figure 2-9](#).

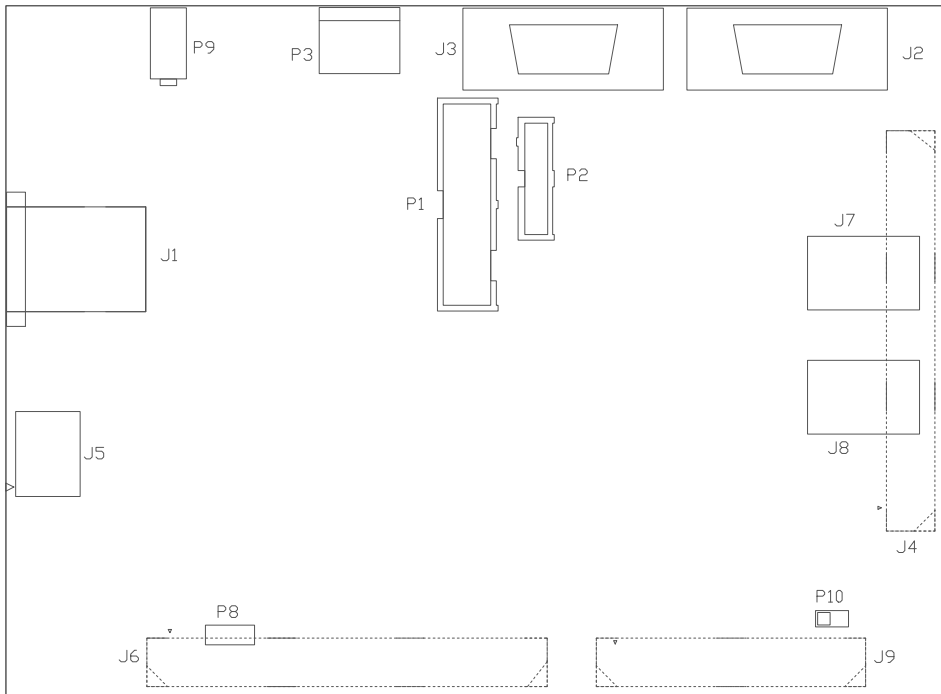


Figure 2-9. Connector Locations



Connectors on the back of the board are noted with dotted lines.

Connectors

Ethernet Connector (J1)

Part Description	Manufacturer	Part Number
RJ45	PULSE ELECTRONICS	J0011D21BNL
Mating Cable		
Standard Ethernet cable		

RS-485 Connector (J2)

Part Description	Manufacturer	Part Number
DB9 female	NORCOMP	191-009-213-L-571

DCE UART Connector (J3)

Part Description	Manufacturer	Part Number
DB9 female	NORCOMP	191-009-213-L-571

Asynch or Memory Connector (J4)

Part Description	Manufacturer	Part Number
180-pin high speed socket	SAMTEC	QSH-090-F-D_A
Mating Connector		
180-pin high speed header	SAMTEC	QTH-090-01-F-D-A

Character Display Connector (J5)

The character display connector (J5) is a socket that mates with the 20 x 2 character display.

Part Description	Manufacturer	Part Number
IDC 5x2 SMT	SAMTEC	SSW-105-22-F-D-VS
Mating Connector		
20x2 character display with back-light	NEW HAVEN DISPLAY	NHD-0220D3Z-FL-GBW (requires header)

PWM Connector (J6)

Part Description	Manufacturer	Part Number
180-pin high speed socket	SAMTEC	QSH-090-F-D_A
Mating Connector		
180-pin high speed header	SAMTEC	QTH-090-01-F-D-A

CAN0 Connector (J7)

Part Description	Manufacturer	Part Number
RJ11 vertical	DIGIKEY	A31431-ND
Mating Connector		
RJ11 cable		

Connectors

CAN1 Connector (J8)

Part Description	Manufacturer	Part Number
RJ11 vertical	DIGIKEY	A31431-ND
Mating Connector		
RJ11 cable		

Analog Connector (J9)

Part Description	Manufacturer	Part Number
120-pin high speed socket	SAMTEC	QSH-060-F-D_A
Mating Connector		
120-pin high speed header	SAMTEC	QTH-060-01-F-D-A

JTAG/SWD Connector (P1)

The JTAG/SWD/SWV header (P1) provides debug connectivity for the microprocessor. This is a 0.1” connector from SAMTEC (SHF-110-01-L-D-TH). For more information, see [Debug Interface](#).

TRACE and JTAG/SWD/SWV Connector (P2)

The TRACE and JTAG/SWD/SWV Connector (P1) provides connectivity to the microprocessor’s trace interface. This is a 0.05” connector from TE Connectivity (5103308-5).

Pin 7 is cut to provide keying.

Refer to the SoftConfig tables for information on enabling the Trace signals, specifically the `TRACE_EXP_EN` signal.

USB Connector (P3)

USB FS only mode.

Part Description	Manufacturer	Part Number
USB mini-B	MOLEX	56579-0576

IEEE 1588 Connector (P8)

P8 allows probing of Ethernet IEEE 1588 signals. P8 is a 0.1" header and the pinout can be found in [ADSP-CM408F EZ-KIT Lite Schematic](#).

Power Connector (P9)

Part Description	Manufacturer	Part Number
0.65 mm power jack	CUI	045-0883R
Mating Connector		
5.0VDC@3.6A power supply	GLOBETEK	GS-1750(R)

VREF Buffered Connector (P10)

The VREF buffered connector provides a means to measure the voltage of the voltage reference. There is an adjacent analog grounding point (TP13).

Connectors

A ADSP-CM408F EZ-KIT LITE BILL OF MATERIALS

The bill of materials corresponds to [ADSP-CM408F EZ-KIT Lite Schematic](#).

Ref.	Qty.	Description	Reference Designator	Manufacturer	Part Number
1	1	ADM708SARZ SOIC8	U42	ANALOG DEVICES	ADM708SARZ
2	2	ADR441ARMZ MSOP8	U6,U47	ANALOG DEVICES	ADR441ARMZ
3	1	ADP2118ACPZ QFN65P400X400X80-17N	VR2	ANALOG DEVICES	ADP2118ACPZ
4	1	ADP2119ACPZ-R7 DFN50P300X300-11N	VR1	ANALOG DEVICES	ADP2119ACPZ-R7
5	1	ADA4899 SOIC8	U33	ANALOG DEVICES	ADA4899-1YRDZ-R7
6	1	ADM2682E SOIC127P1032X265-16N	U39	ANALOG DEVICES	ADM2682EBRIZ
7	1	ADM3252E BGA44C100P11X11_1 200X1200X103	U36	ANALOG DEVICES	ADM3252EABCZ
8	2	ADM3053 SOIC127P1032X265-20N	U37,U38	ANALOG DEVICES	ADM3053BRWZ
9	1	ADSP-CM408BSWZ LQFP176_EP	U1	ANALOG DEVICES	ADSP-CM408FBSWZENG

Ref.	Qty.	Description	Reference Designator	Manufacturer	Part Number
10	62	0.1UF 10V 10% 0402	C1,C5-C7,C17,C18,C22,C25,C26,C29,C31,C34-C36,C40,C43,C45,C48,C50,C54-C56,C59,C60,C62-C65,C67,C68,C72,C78,C79,C101,C102,C104,C109,C119,C120,C122-C125,C128-C130,C132,C135,C136,C138,C139,C143,C148-C150,C153-C157,C174,C179	AVX	0402ZD104KAT2A
11	74	0.01UF 16V 10% 0402	C2,C8,C9,C19-C21,C24,C30,C32,C33,C46,C47,C49,C51,C53,C61,C66,C69-C71,C73-C76,C80-C90,C92,C110-C118,C121,C131,C134,C141,C144,C151,C152,C158-C173,C175-C178,C180,C181	AVX	0402YC103KAT2A
12	1	4.7UF 25V 20% 0805	C142	AVX	0805ZD475KAT2A
13	1	10UF 16V 10% 1210	C98	AVX	1210YD106KAT2A
14	2	1000PF 50V 5% 1206	C97,C99	AVX	12065A102JAT2A

ADSP-CM408F EZ-KIT Lite Bill Of Materials

Ref.	Qty.	Description	Reference Designator	Manufacturer	Part Number
15	2	680 1/16W 1% 0402	R210,R211	BC COMPONENTS	2312 275 16801
16	1	1.5UH 20% IND003	L2	COIL CRAFT	DO1608C-152MLC
17	1	1.5UH 20% INDC4040X210N	L1	COILCRAFT	XAL4020-152MEB
18	1	ROTARY SWT027	SW1	COPAL	S-8110
19	1	CY7C1041CV33 BGA48_75_810	U2	CYPRESS	CY7C1041DV33-10BVXI
20	1	PWR .65MM CON045	P9	DIGI-KEY	CP1-023-ND
21	1	50MHZ OSC012	U35	DIGI-KEY	300-8264-2-ND
22	2	MCP23017 QFN65P600X600-29N	U40,U41	DIGI-KEY	MCP23017-E/ML-ND
23	2	1UF 16V 10% 0805	C95,C96	DIGI-KEY	399-1284-2-ND
24	2	GREEN LED_0603	LED6,LED7	DIGI-KEY	475-1409-2-ND
25	3	0.1UF 16V 10% 0402	C37-C39	DIGI-KEY	587-1451-2-ND
26	1	15KV ESDA6V1SC SOT95P280-6N	D4	DIGI-KEY	497-6637-1-ND
27	1	30MHZ OSC012	U34	DIGI-KEY	300-8257-1-ND
28	2	RED LED_0603	LED5,LED8	DIGI-KEY	475-2512-2-ND
29	4	YELLOW LED_0603	LED1-LED4	DIGI-KEY	475-2558-1-ND
30	1	10UF 6.3V 20% 0402	C14	DIGI-KEY	445-8920-1-ND
31	1	SN74CB3Q3245 TSSOP20	U32	DIGI-KEY	296-19130-1-ND
32	1	MIC2025-1 SOIC8	U44	DIGI-KEY	576-1057-ND
33	1	STD2805T4 TO228P972X240-3N	Q1	DIGI-KEY	497-7465-1-ND
34	8	IDC 2PIN_- JUMPER_SHORT	SJ1-SJ8	DIGI-KEY	S9001-ND

Ref.	Qty.	Description	Reference Designator	Manufacturer	Part Number
35	1	150UF 10V 10% D	CT2	DIGI-KEY	478-3321-2-ND
36	2	107.0 1/10W 1% 0805	R101,R107	DIGI-KEY	311-107CRTR-ND
37	1	1K 1/10W 5% 0603	R170	DIGI-KEY	311-1.0KGRTR-ND
38	2	4700PF 16V 10% 0603	C44,C52	DIGI-KEY	311-1083-2-ND
39	10	2.21K 1/10W 1% 0603	R78,R80,R84-R86,R108-R112	DIGI-KEY	311-2.21KHRTR-ND
40	3	100 1/16W 5% 0402	R132,R137,R139	DIGI-KEY	311-100JRTR-ND
41	7	330.0 1/16W 1% 0402	R115-R119,R131,R172	DIGI-KEY	541-330LCT-ND
42	2	165.0 1/10W 1% 0603	R102,R106	DIGI-KEY	P165HTR-ND
43	1	220.0 1/10W 1% 0603	R77	DIGI-KEY	P220HTR-ND
44	1	4.87K 1/10W 1% 0402	R82	DIGI-KEY	541-4.87KHCT-ND
45	7	IDC 2X1 IDC2X1	JP1,JP4,P4-P7,P10	FCI	90726-402HLF
46	2	IDC 3X1 IDC3X1	JP2,JP3	FCI	90726-403HLF
47	1	120.0 1/16W 1% 0603	R44	FEC	933-0496
48	1	IDT74FCT3244APY SSOP20	U5	IDT	IDT74FCT3244APYG
49	1	TEST LOOP LOOP_2838	GP1	KEYSTONE	5016
50	1	VARISTOR V5.5MLA 30A 0603	R1	LITTLEFUSE	V5.5MLA0603
51	1	THERM 0.5A 0.4 1206	R186	LITTLEFUSE	1206L050-C
52	1	USB_MINI-AB 5PIN CON052	P3	MOLEX	56579-0576
53	1	IDC 10X2 TE_5103308-5	P1	MOUSER	571-5103308-5

ADSP-CM408F EZ-KIT Lite Bill Of Materials

Ref.	Qty.	Description	Reference Designator	Manufacturer	Part Number
54	7	10UF 6.3V 20% 0603	C10,C11,C13, C126,C127,C133,C140	MULTICOMP	MCCA000517
55	1	190 100MHZ 5A FER002	FER4	MURATA	DLW5BSN191SQ2
56	1	DP83848 LQFP48	U43	NATIONAL SEMI	DP83848CVV/NOPB
57	2	DB9 9PIN CON038	J2,J3	NORCOMP	191-009-213-L-571
58	1	GTL2002 TSSOP8	U10	NPX	GTL2002DB,118
59	3	5A MBRS540T3G SMC	D6-D8	ON SEMI	MBRS540T3G
60	1	15KV ESD7004 DFN50P250X100-10N	D5	ON SEMI	ESD7004MUTAG
61	4	MOMENTARY SWT024	SW2-SW5	PANASONIC	EVQ-Q2K03W
62	27	0 1/16W 5% 0402	R6,R8,R17,R45, R46,R49,R62, R63,R146,R147, R151,R160,R163, R168,R185,R190- R193,R196,R198, R199,R202,R214, R229,R230,R232	PANASONIC	ERJ-2GE0R00X
63	13	0 1/16W 5% 0402	R11,R12,R47, R48,R149,R159, R164,R166,R184, R200,R201,R212, R213	PANASONIC	ERJ-2GE0R00X
64	4	1UF 6.3V 20% 0402	C12,C91,C93, C94	PANASONIC	ECJ-0EB0J105M

Ref.	Qty.	Description	Reference Designator	Manufacturer	Part Number
65	11	10UF 10V 10% 0805	C15,C16,C23, C27,C28,C41, C42,C57,C58, C77,C137	PANASONIC	ECJ-2FB1A106K
66	1	1.50K 1/16W 1% 0402	R91	PANASONIC	ERJ-2RKF1501X
67	2	27K 1/16W 5% 0402	R187,R188	PANASONIC	ERJ-2GEJ273X
68	4	60.4 1/10W 1% 0603	R64,R65,R68, R69	PANASONIC	ERJ-3EKF60R4V
69	1	45.3K 1/10W 1% 0402	R157	PANASONIC	ERJ-2RKF4532X
70	1	24.9 1/10W 1% 0402	R13	PANASONIC	ERJ-2RKF24R9X
71	1	10UF 10V 20% ELEC_4MM	CT1	PANASONIC	EEE-1AA100NR
72	33	PI3A125 SC70_5	U4,U7,U13-U 31,U49-U60	PERICOM	PI3A125CEX
73	2	PI4ULS3V08M QFN40P300X600X75- 33N	U11,U12	PERICOM	PI4ULS3V08MZLE
74	4	0.0 1/10W 1% 0603	R16,R176,R17 7,R203	PHYCOMP	232270296001L
75	1	RJ45 W/LEDS CON065	J1	PULSE ENG.	J0011D21BNL
76	1	200.0K 1/16W 1% 0402	R209	ROHM	MCR01MZPF2003
77	1	IDC 3X2 IDC3X2_SMT	P8	SAMTEC	TSM-103-01-T-DV
78	1	IDC 5X2 IDC5x2_SMT_F	J5	SAMTEC	SSW-105-22-F-D-VS
79	1	0.05 10X2 SAM- TEC_SHF-110-01-L-D- TH	P2	SAMTEC	SHF-110-01-L-D-TH

ADSP-CM408F EZ-KIT Lite Bill Of Materials

Ref.	Qty.	Description	Reference Designator	Manufacturer	Part Number
80	2	0.5MM 180PIN SAM-TEC_QSH-090-F-D-A	J4,J6	SAMTEC	QSH-090-01-F-D-A
81	1	0.5MM 120PIN SAM-TEC_QSH-060-F-D-A	J9	SAMTEC	QSH-060-01-F-D-A
82	4	0.05 1/2W 1% 1206	R150,R154,R156,R165	SEI	CSF 1/2 0.05 1%R
83	10	49.9 1/16W 1% 0402	R89,R90,R92,R93,R96,R98,R103-R105,R155	STACKPOLE	RMCF0402FT49R9
84	3	600 100MHZ 500MA 1206	FER1-FER3	STEWART	HZ1206B601R-10
85	1	74LVC14A SOIC14	U3	TI	74LVC14AD
86	1	SN74LVC1G08 SOT23-5	U48	TI	SN74LVC1G08DBVE
87	2	SN74LVC1G08 SOT23-5	U45,U46	TI	SN74LVC1G08DBVE
88	2	RJ11 4PIN CON039	J7,J8	TYCO	5558872-1
89	1	3A RESETTABLE FUS004	F1	TYCO	SMD300F-2
90	3	0 1/8W 5% 0805	R15,R97,R178	VISHAY	CRCW08050000Z0EA
91	20	10K 1/16W 5% 0402	R2-R5,R30-R32,R36,R37,R39,R41,R42,R51,R75,R152,R153,R182,R197,R219,R220	VISHAY	CRCW040210K0FKED

Ref.	Qty.	Description	Reference Designator	Manufacturer	Part Number
92	78	10K 1/16W 5% 0402	R10,R14,R18-R20,R27-R29,R33-R35,R38,R40,R43,R52-R58,R66,R67,R70,R71,R79,R81,R83,R87,R88,R94,R95,R100,R113,R114,R120-R130,R133-R135,R138,R140-R143,R148,R158,R161,R171,R173-R175,R180,R189,R194,R195,R215-R218,R221-R228,R231	VISHAY	CRCW040210K0FKED
93	9	33 1/16W 5% 0402	R7,R9,R59,R60,R76,R99,R136,R144,R145	VISHAY	CRCW040233R0JNEA
94	2	10K 1/10W 5% 0603	R204,R205	VISHAY	CRCW060310K0JNEA
95	1	1M 1/10W 5% 0603	R179	VISHAY	CRCW06031M00FNEA
96	6	10 1/10W 5% 0603	R61,R72-R74,R162,R167	VISHAY	CRCW060310R0JNEA
97	1	30A GSOT05 SOT23-3	D1	VISHAY	GSOT05-GS08
98	2	30A GSOT03 SOT23-3	D2,D3	VISHAY	GSOT03-GS08
99	6	22UF 16V 10% 1210	C100,C103,C105-C108	YAIYO YUDEN	EMK325BJ226KM-T

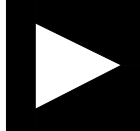
A

B

C

D

ADSP-CM408F EZ-KIT SCHEMATIC

		ANALOG DEVICES	20 Cotton Road Nashua, NH 03063 PH: 1-800-ANALOGD
Title		ADSP-CM408F EZ-KIT TITLE PAGE	
Size C	Board No.	A0341-2012	Rev 0.2A
Date	07/02/2013	Sheet	1 of 13

A

B

C

D

1

1

2

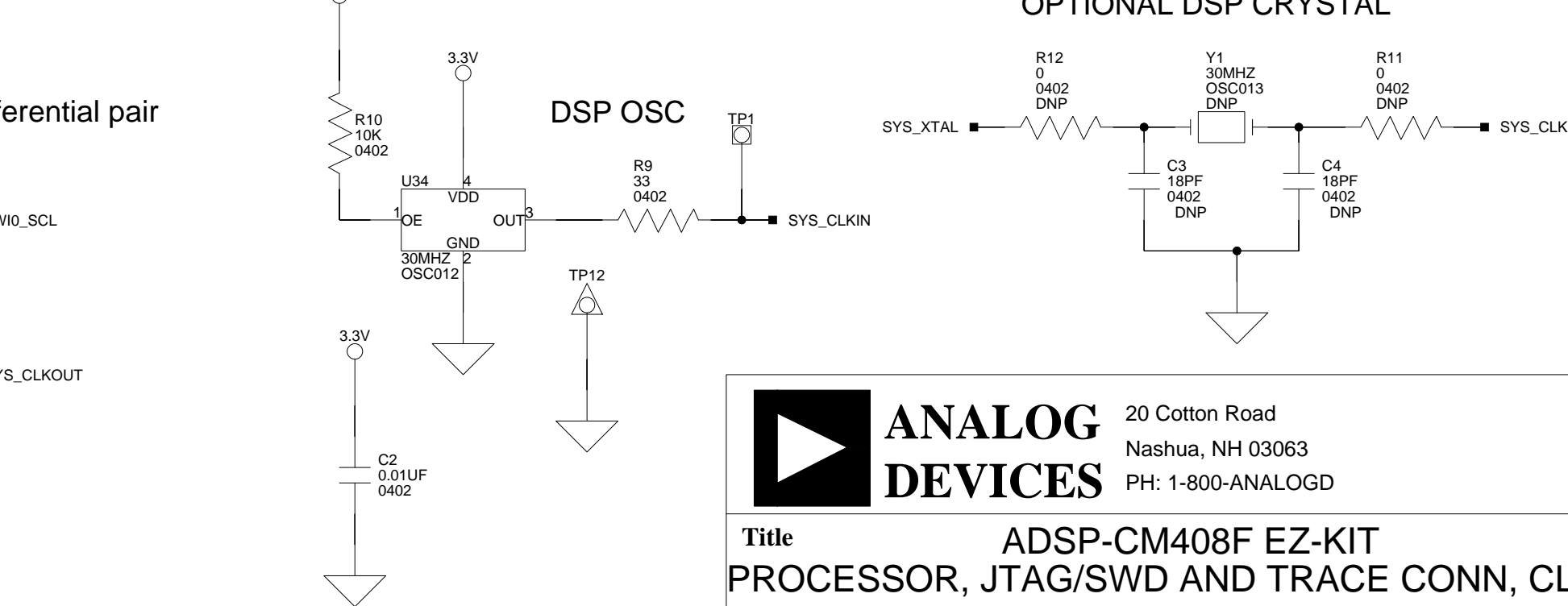
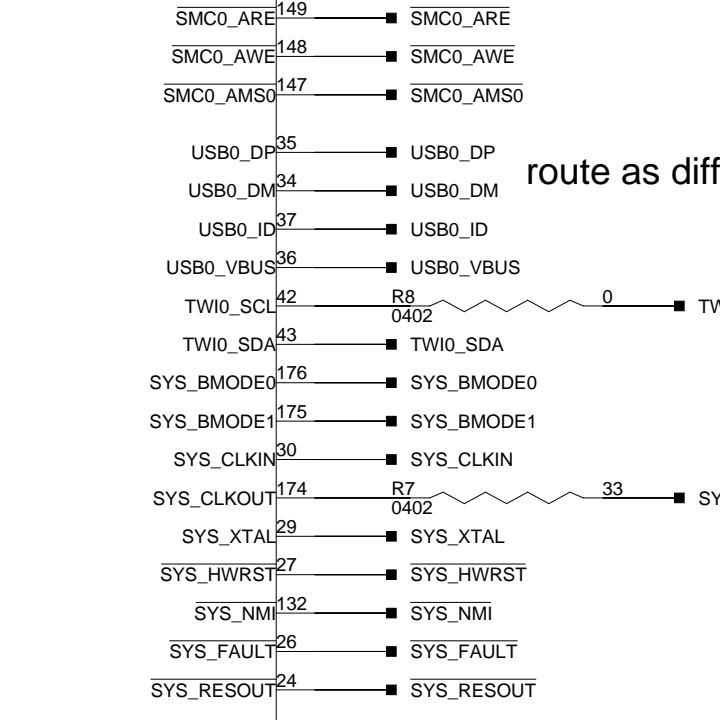
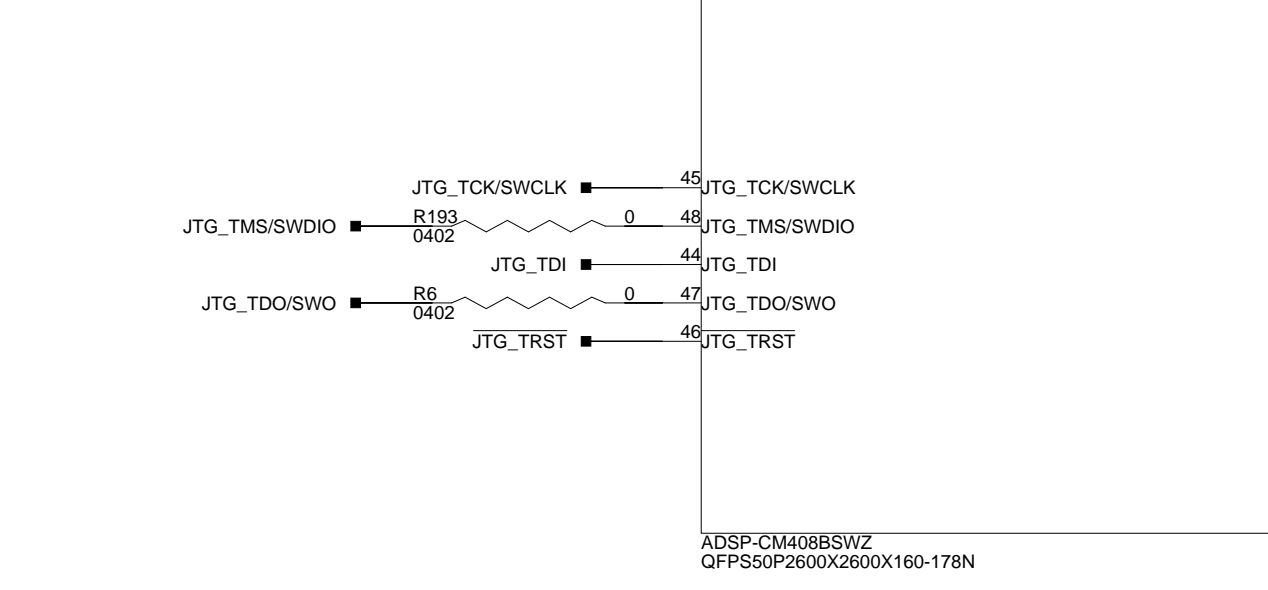
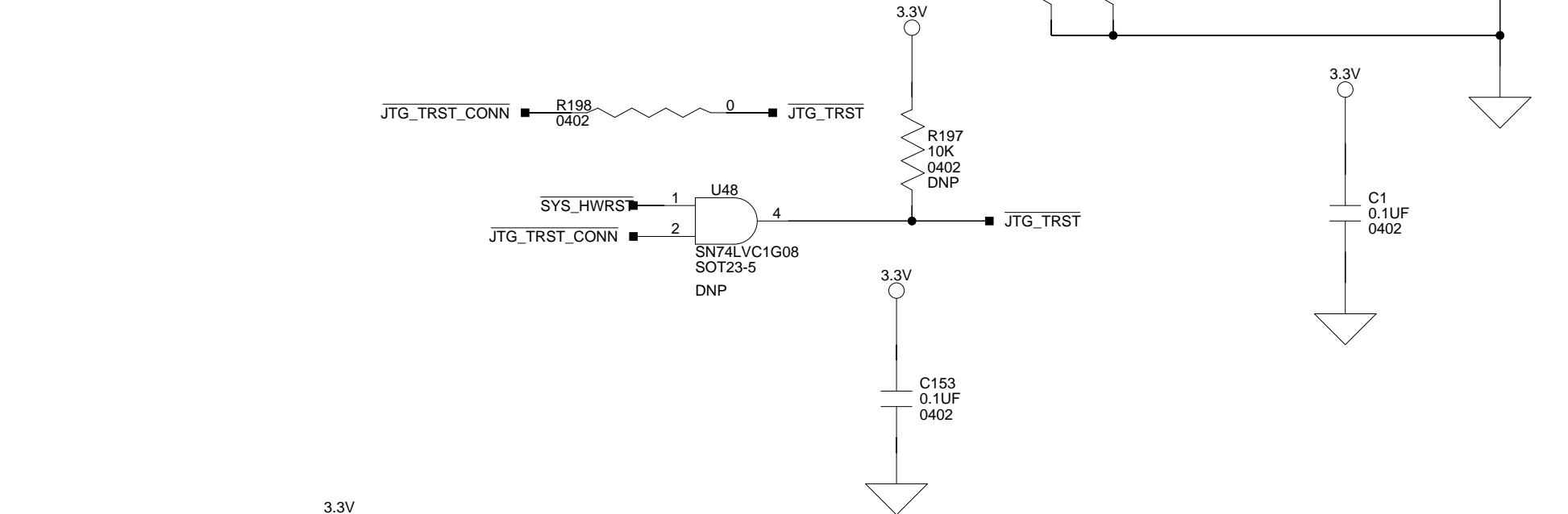
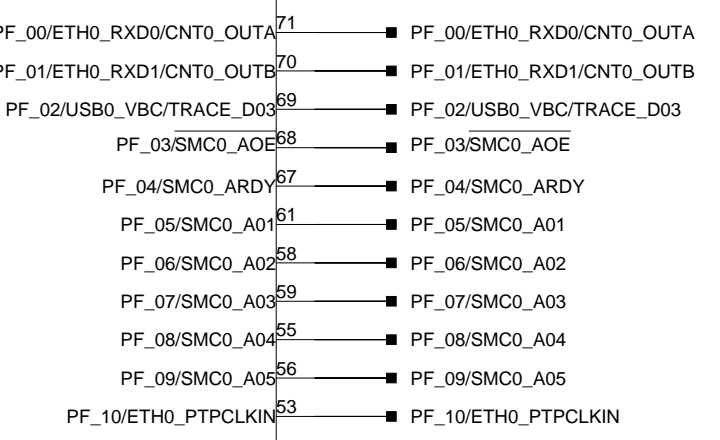
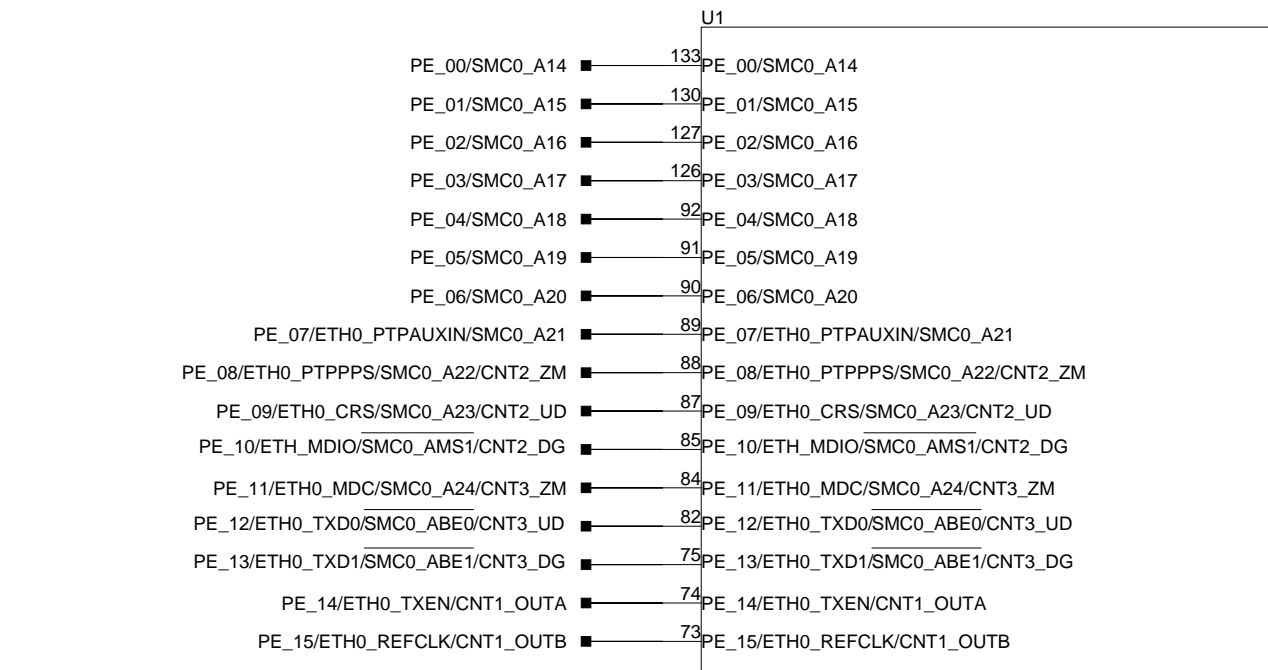
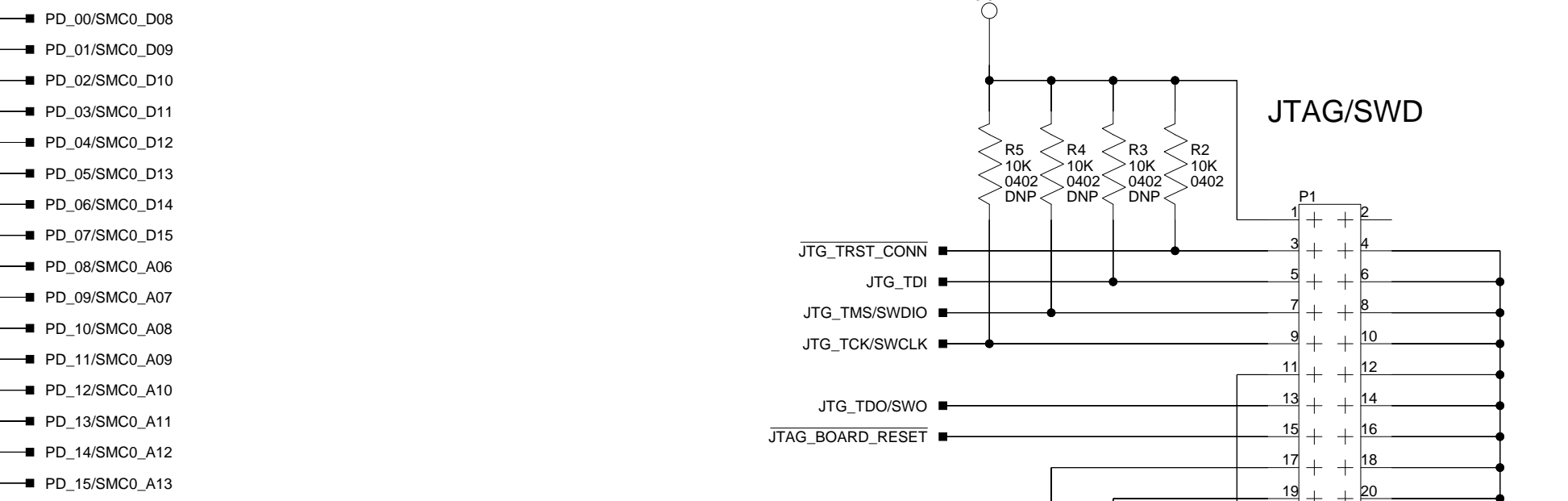
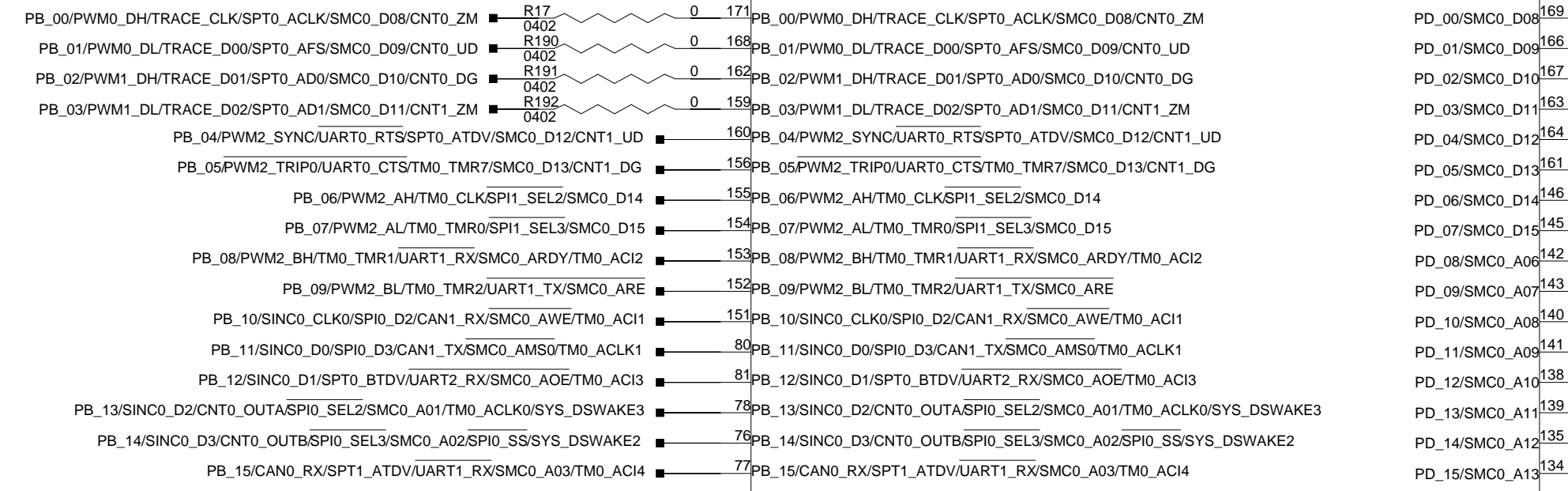
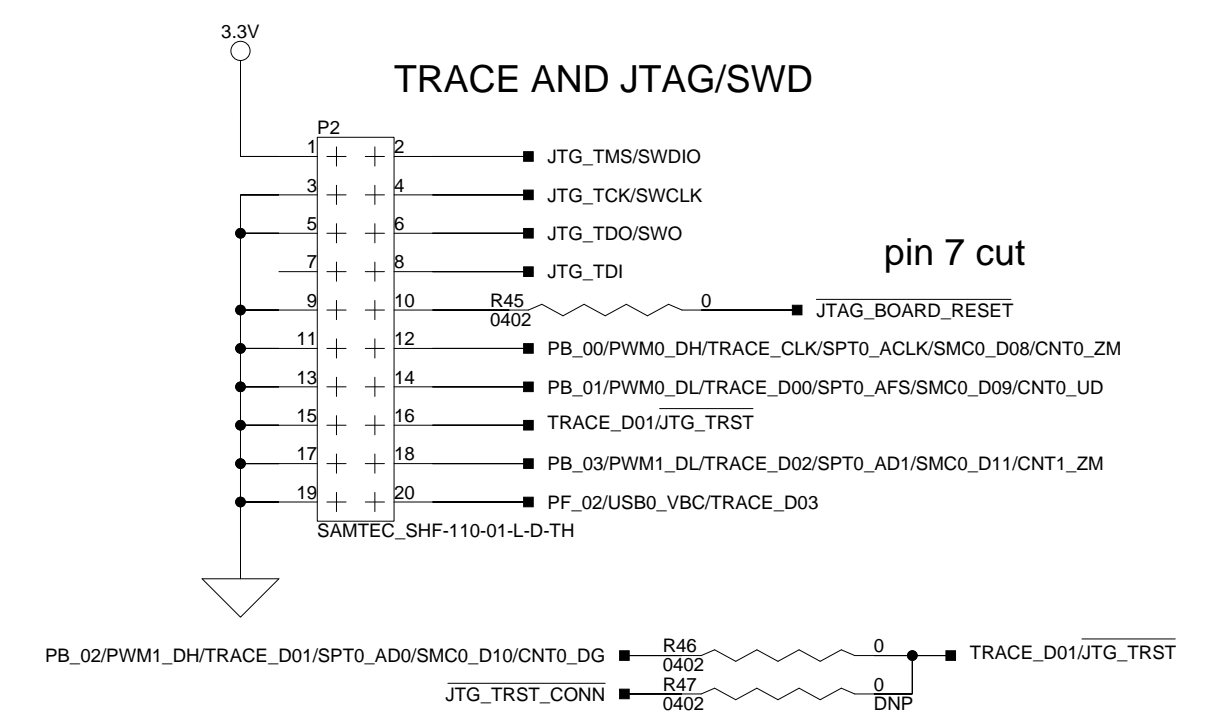
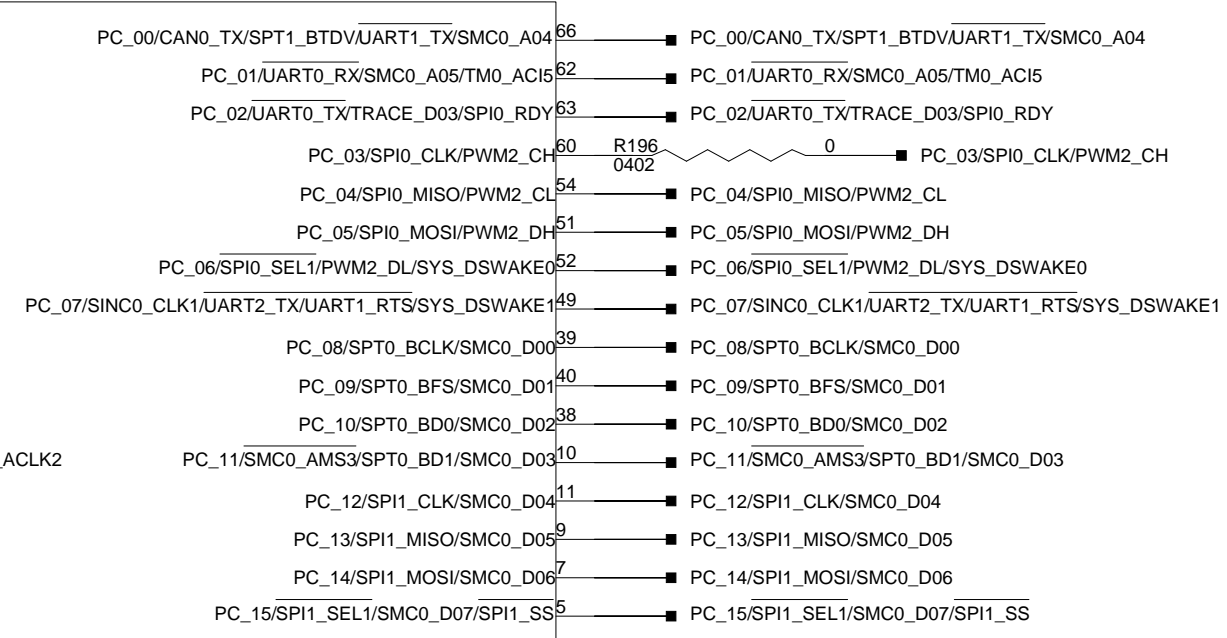
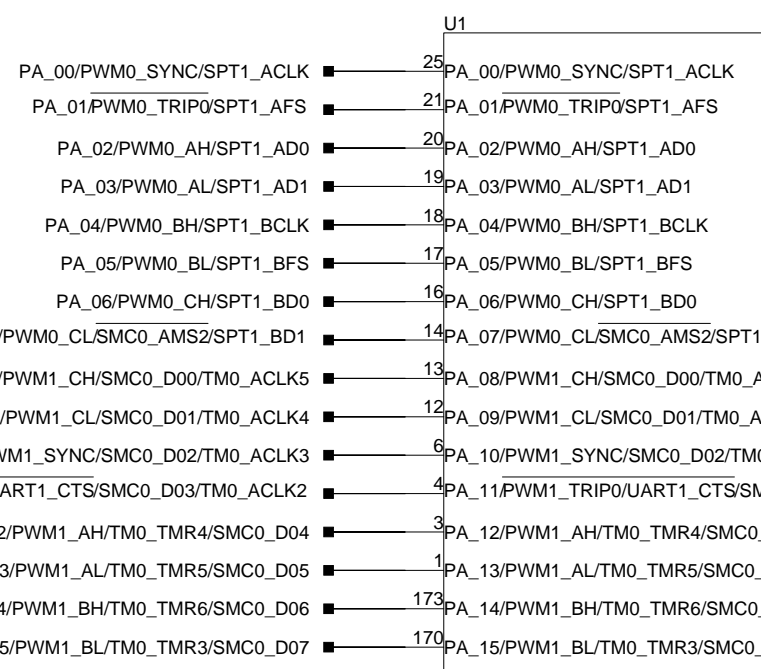
2

3

3

4

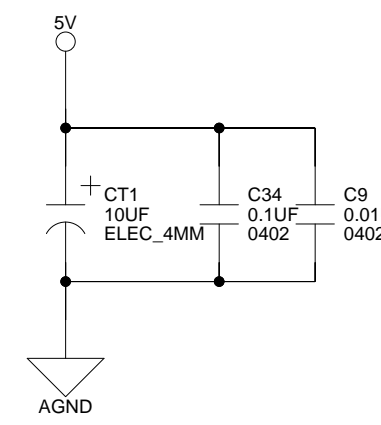
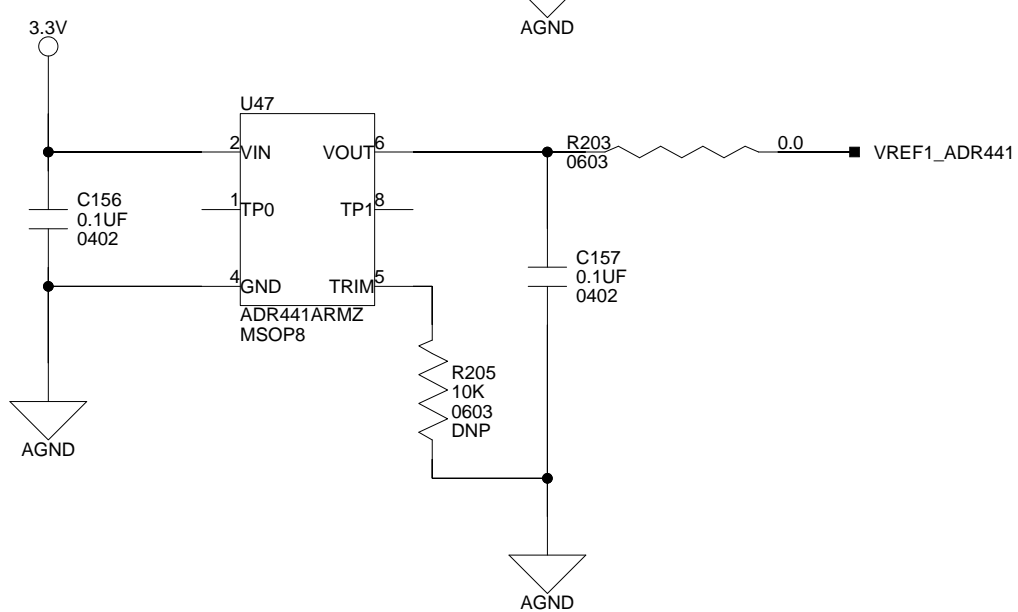
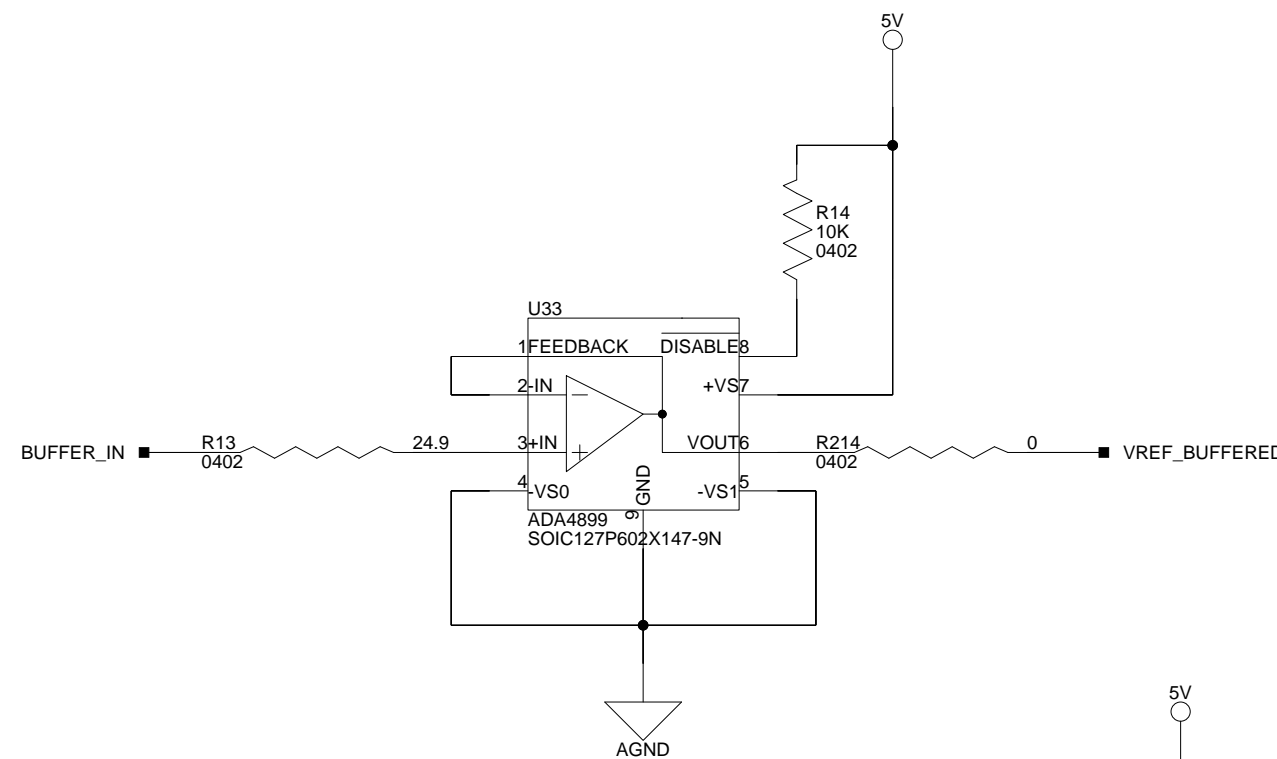
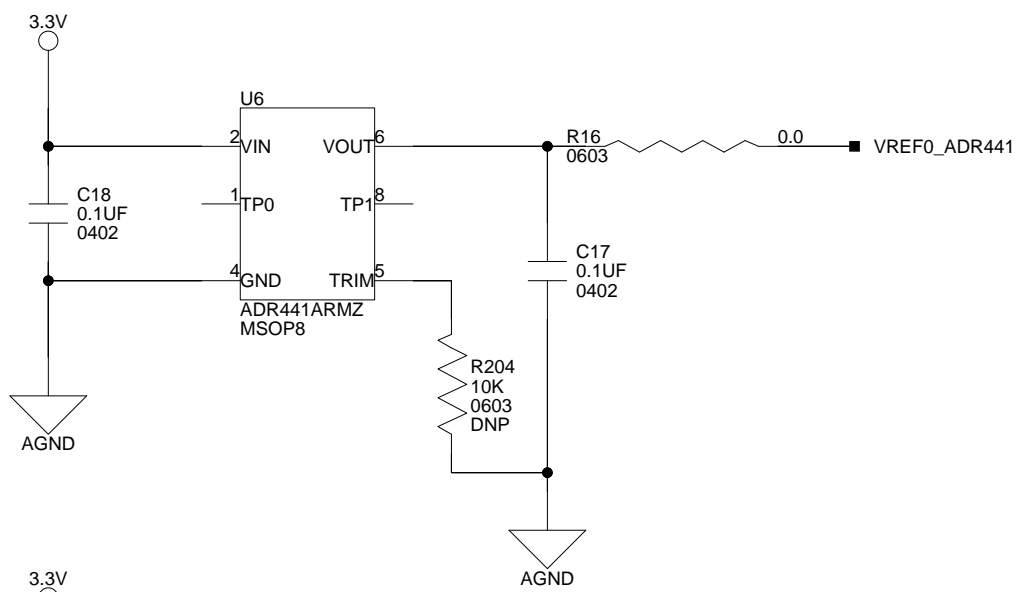
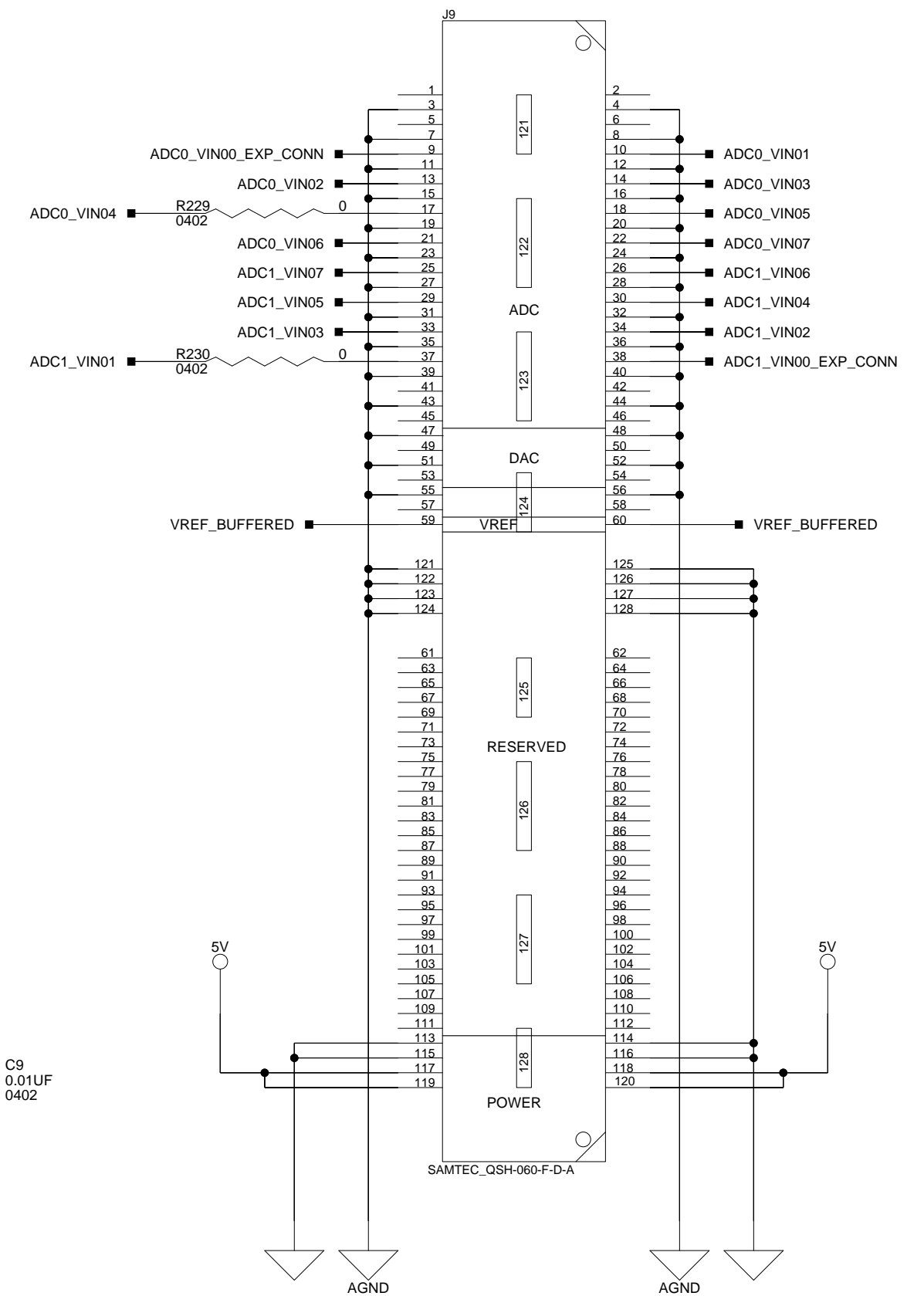
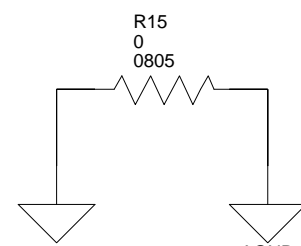
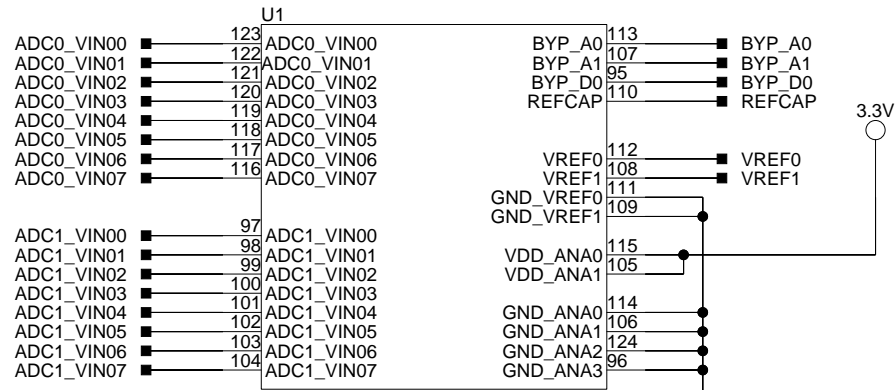
4



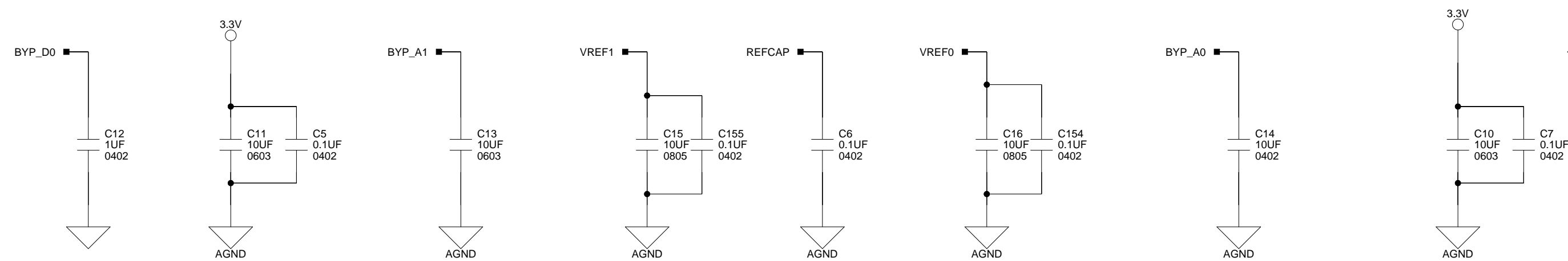
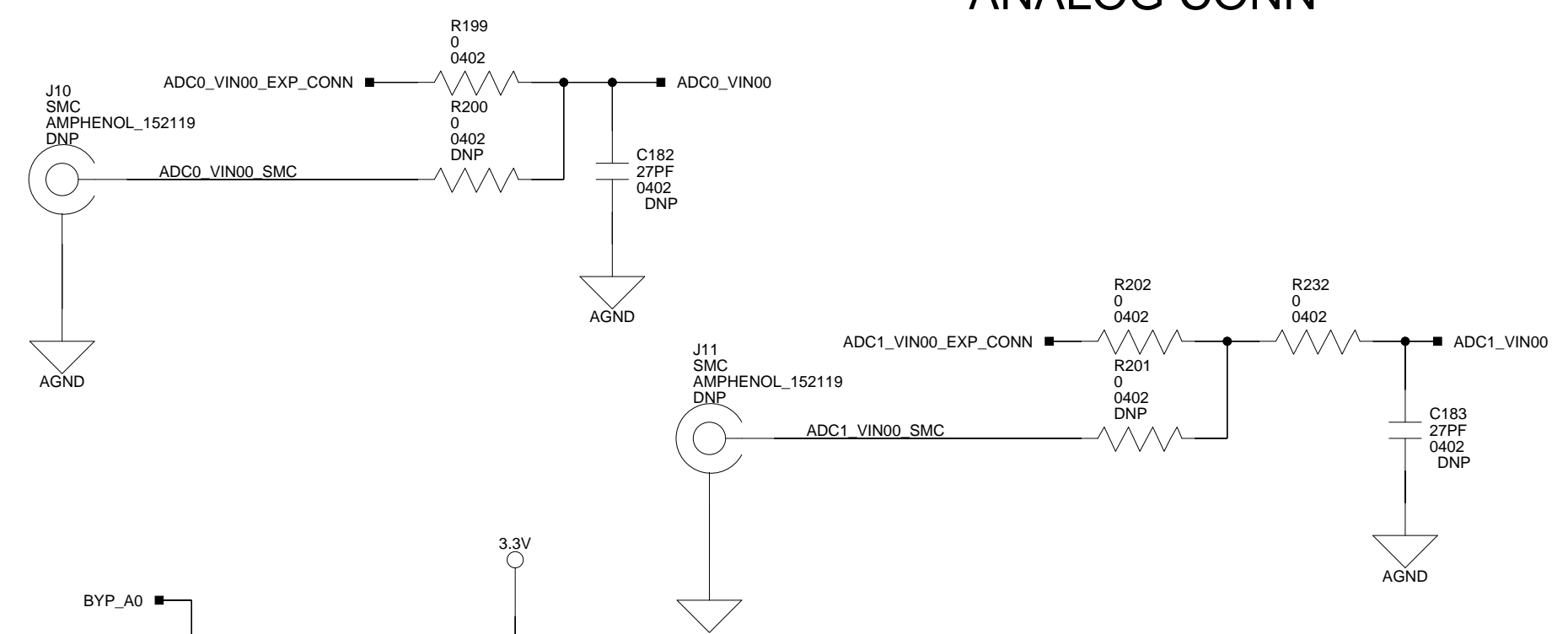
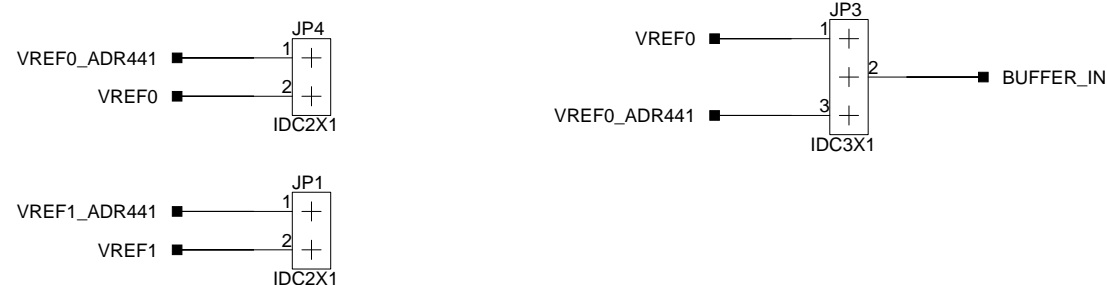
ANALOG DEVICES
 20 Cotton Road
 Nashua, NH 03063
 PH: 1-800-ANALOGD

Title ADSP-CM408F EZ-KIT
PROCESSOR, JTAG/SWD AND TRACE CONN, CLOCK

Size C	Board No. A0341-2012	Rev 0.2A
Date 07/02/2013	Sheet 2 of 13	



ANALOG CONN

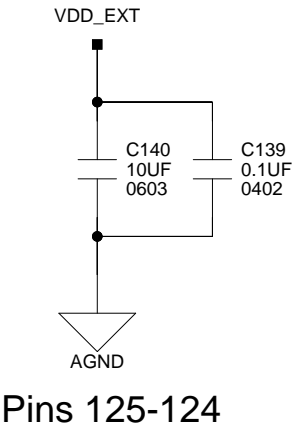
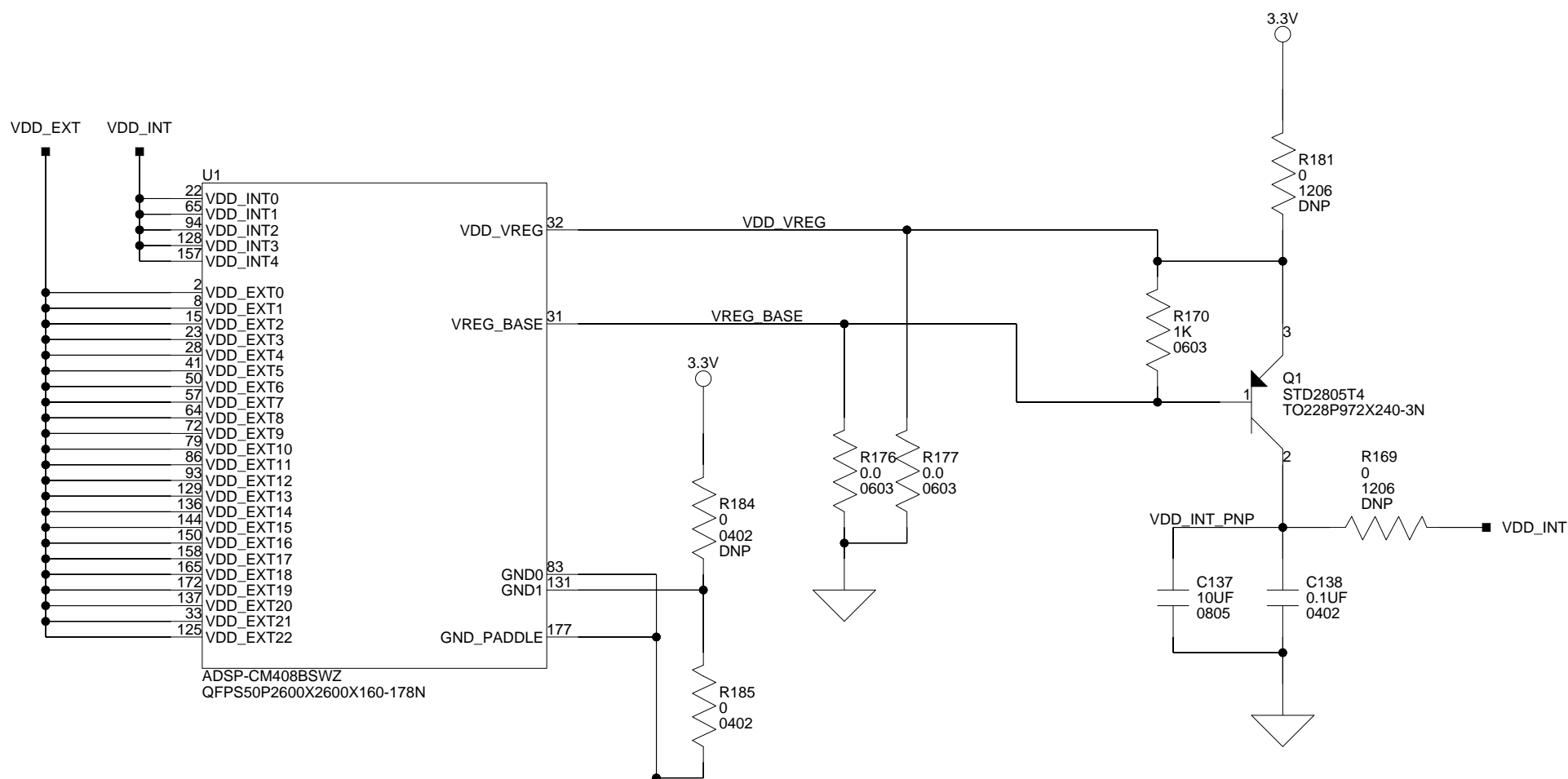


Pins 95-center pad
 Pins 105-106
 Pins 107-106
 Pins 108-109
 Pins 110-109
 Pins 112-111
 Pins 113-114
 Pins 115-114

20 Cotton Road
 Nashua, NH 03063
 PH: 1-800-ANALOGD

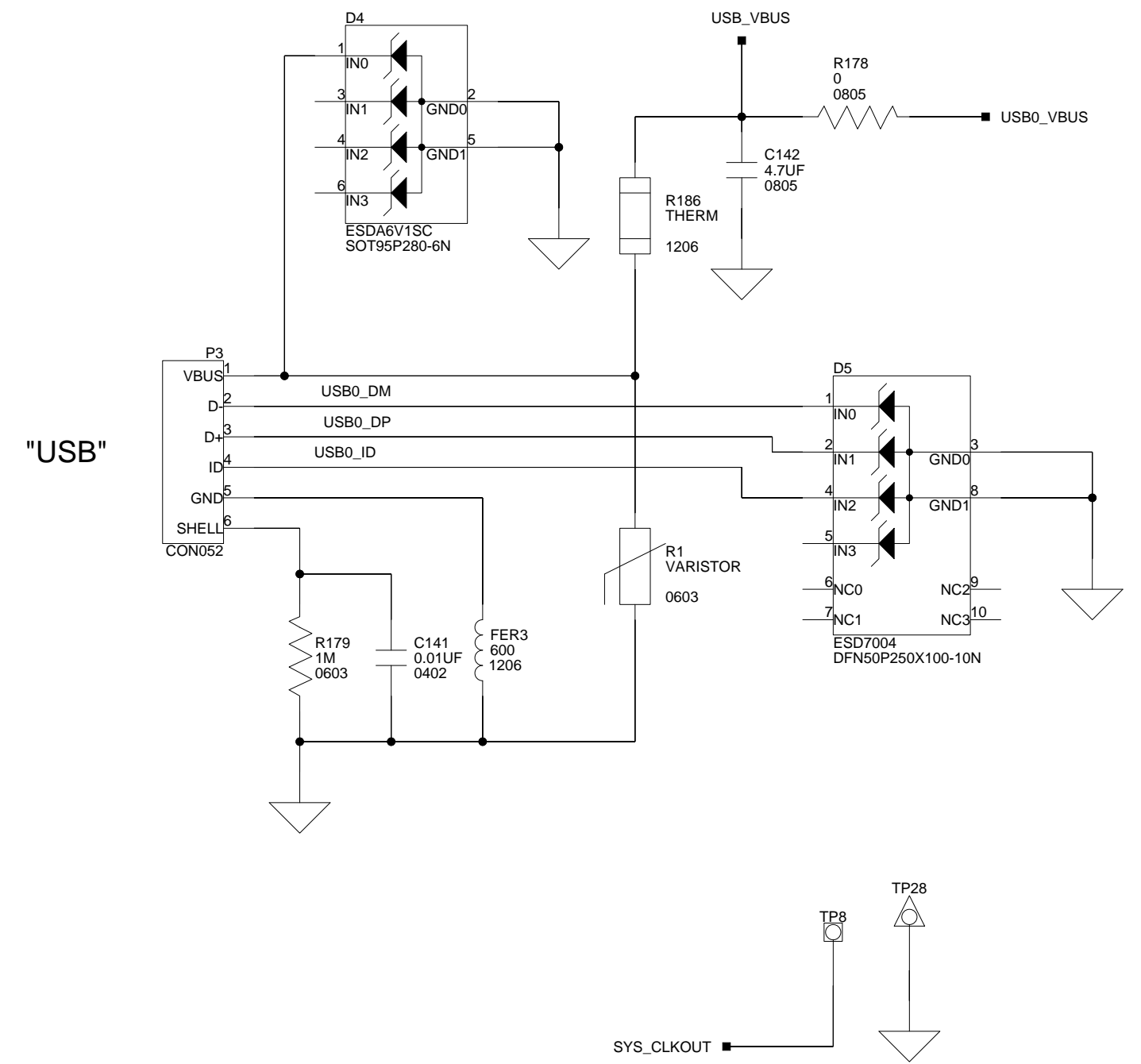
Title ADSP-CM408F EZ-KIT
 ANALOG CONN, POWER

Size C	Board No. A0341-2012	Rev 0.2A
Date 07/02/2013	Sheet 3 of 13	



NOTE: CONNECT PIN 131 DIRECTLY TO GROUND FOR CUSTOMER DESIGNS

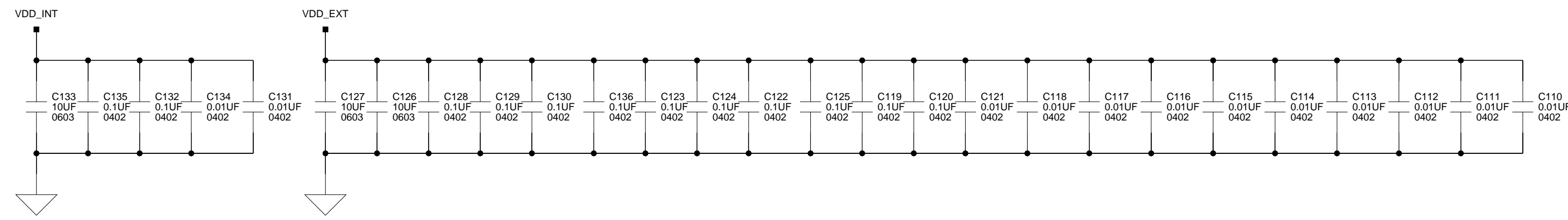
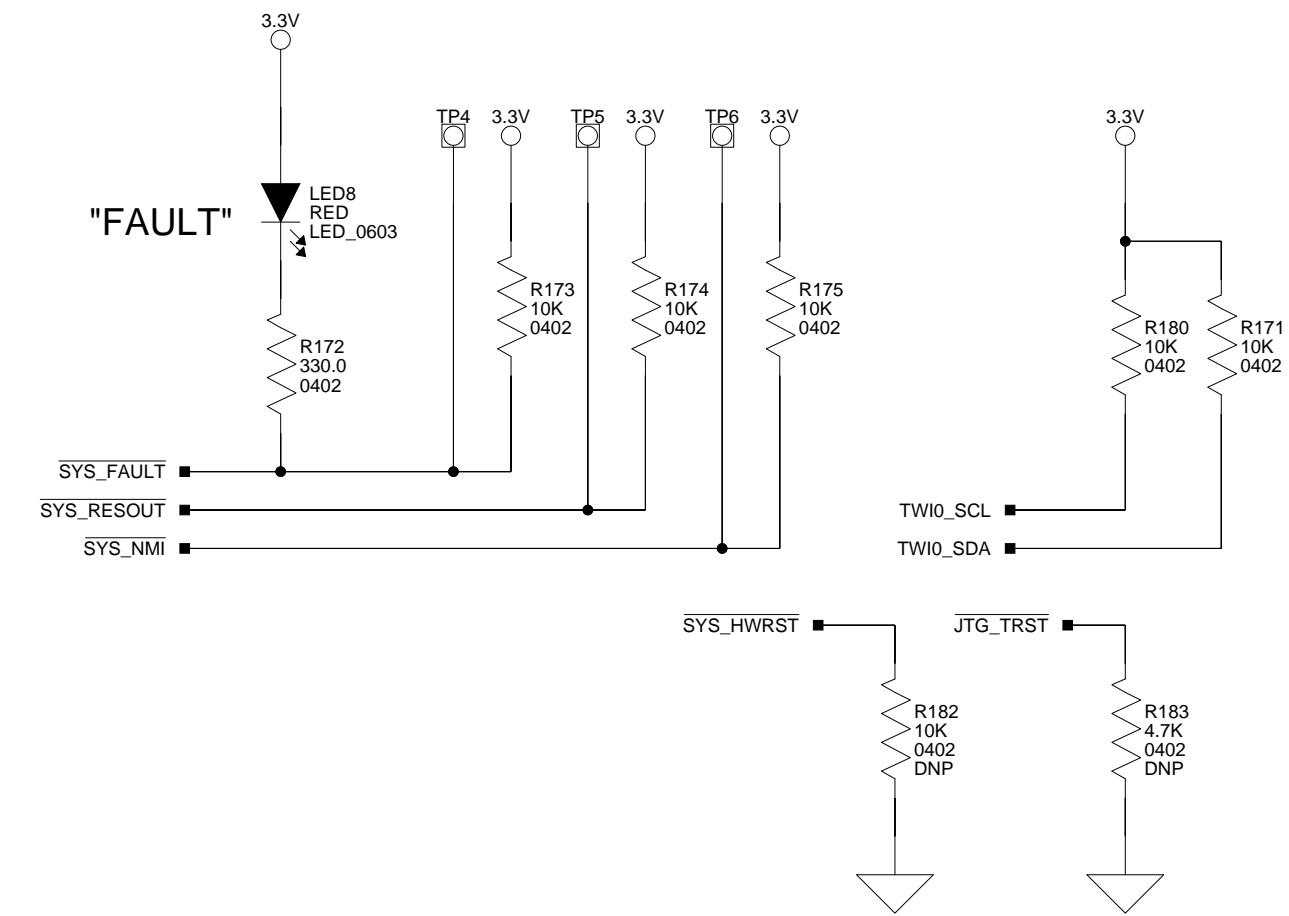
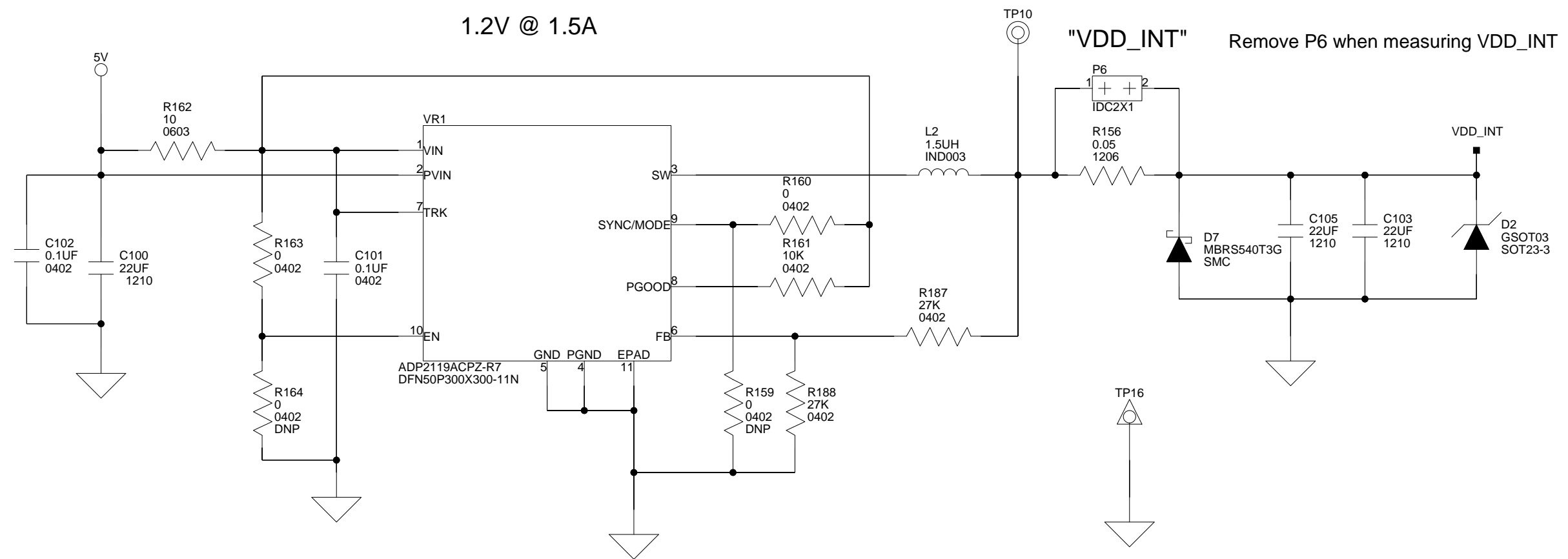
NOTE:
 INTERNAL REGULATOR
 REMOVE R177, R176, P6, R156, R163
 INSTALL R181, R169, R164
 EXTERNAL REGULATOR
 REMOVE R181, R169, R164
 INSTALL R177, R176, P6, R156, R163



SJ5 SHORTING JUMPER DEFAULT=INSTALLED

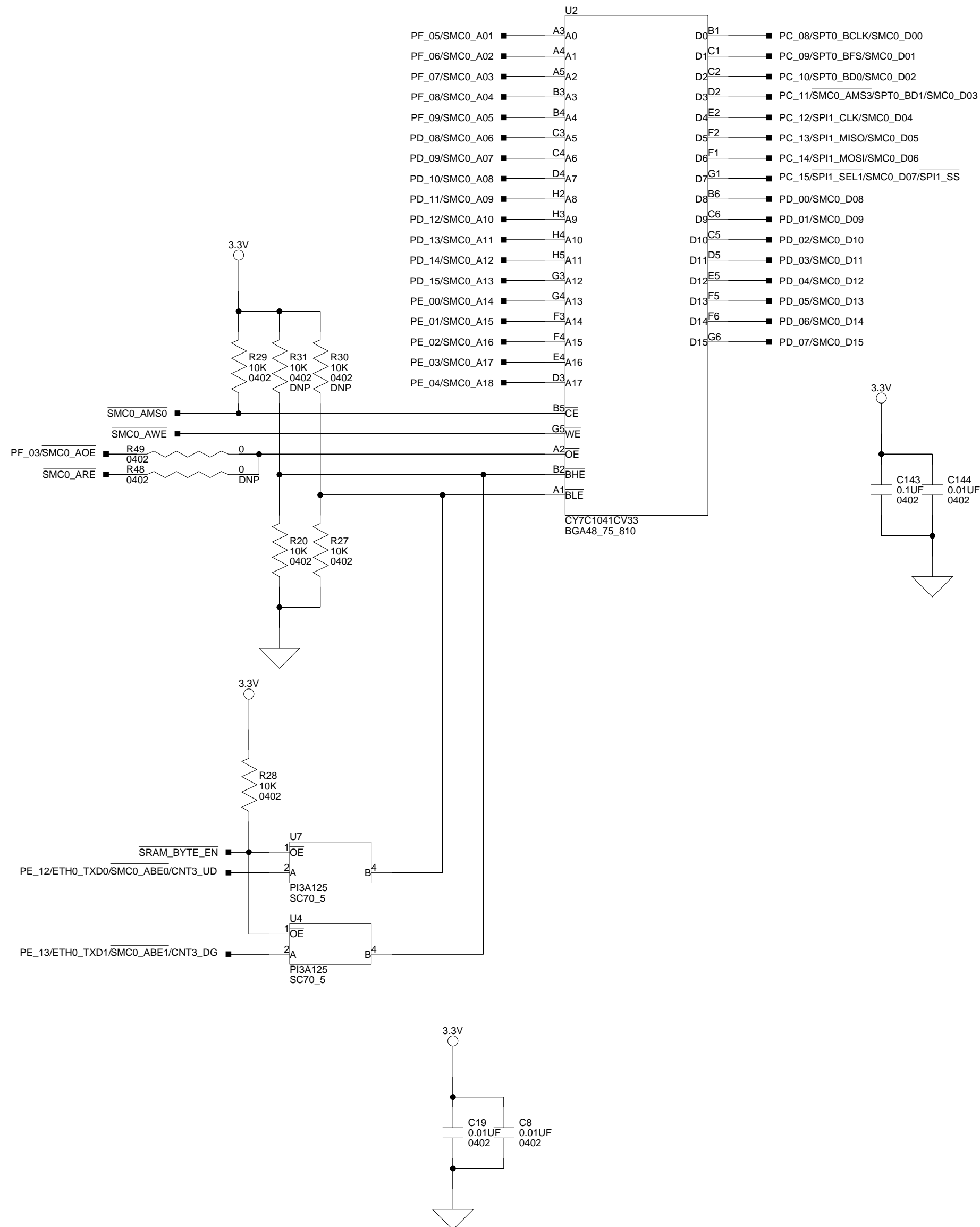
1.2V @ 1.5A

"VDD_INT" Remove P6 when measuring VDD_INT

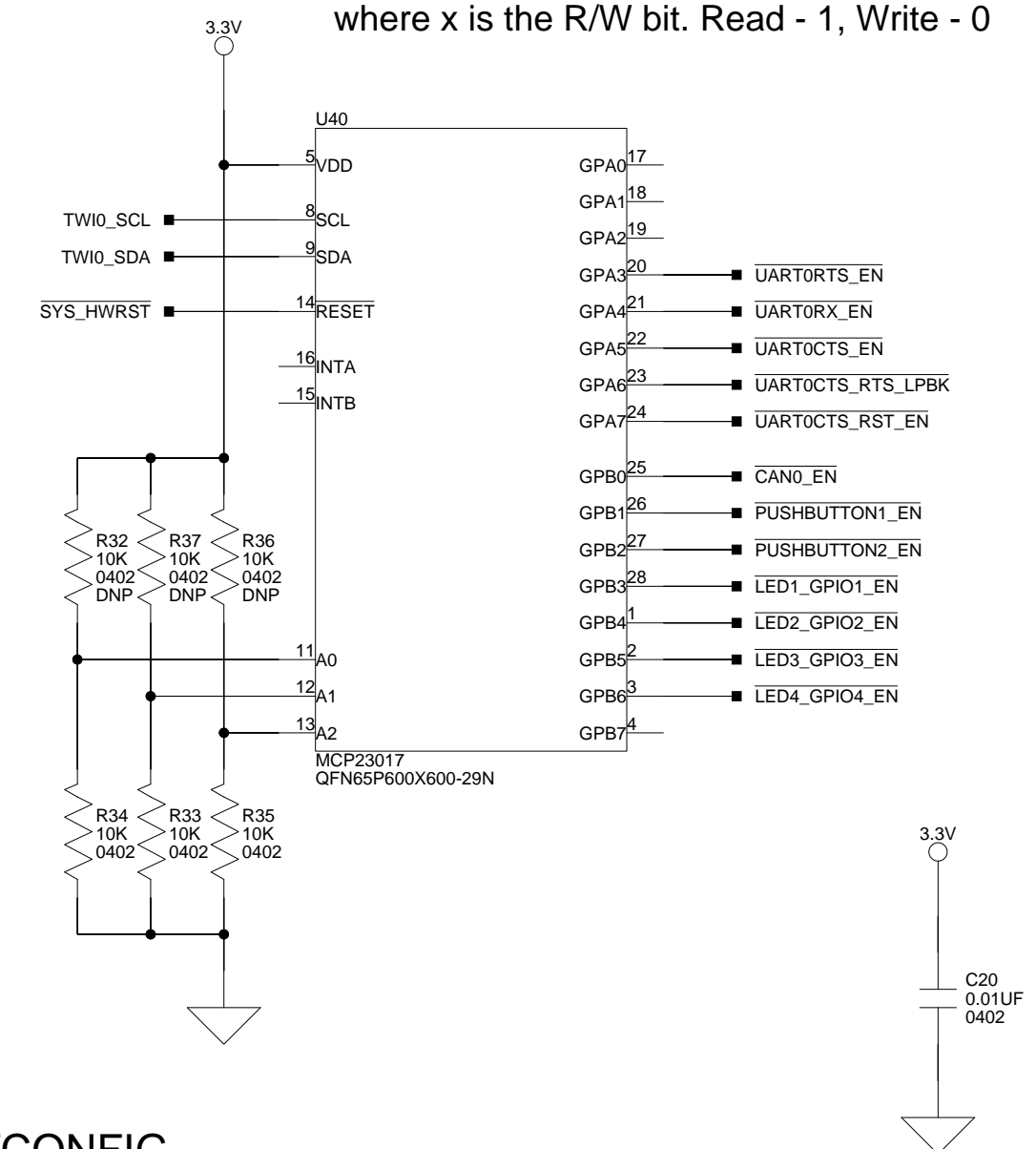


		20 Cotton Road Nashua, NH 03063 PH: 1-800-ANALOGD	
		Title ADSP-CM408F EZ-KIT DIGITAL POWER, VDDINT, USB	
Size C	Board No. A0341-2012	Rev 0.2A	
Date 07/02/2013	Sheet 4 of 13		

4Mb (256K x 16) SRAM

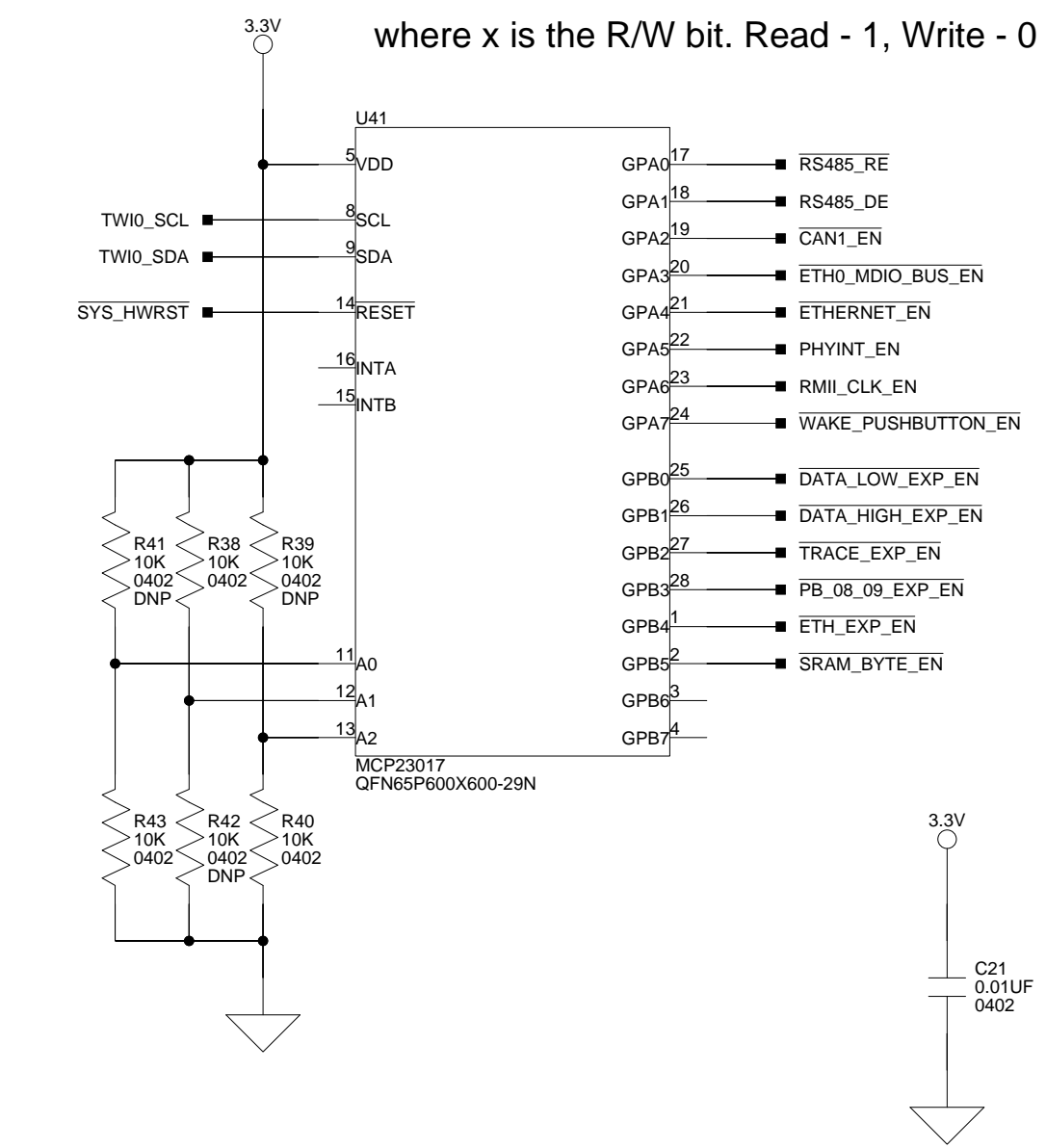


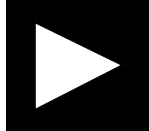
TWI address 0100 000x where x is the R/W bit. Read - 1, Write - 0



SOFTCONFIG

TWI address 0100 010x where x is the R/W bit. Read - 1, Write - 0



 ANALOG DEVICES		20 Cotton Road Nashua, NH 03063 PH: 1-800-ANALOGD	
		Title ADSP-CM408F EZ-KIT MEMORY AND SOFTCONFIG	
Size C	Board No. A0341-2012	Rev 0.2A	
Date 07/02/2013	Sheet 5 of 13		

A

B

C

D

1

1

2

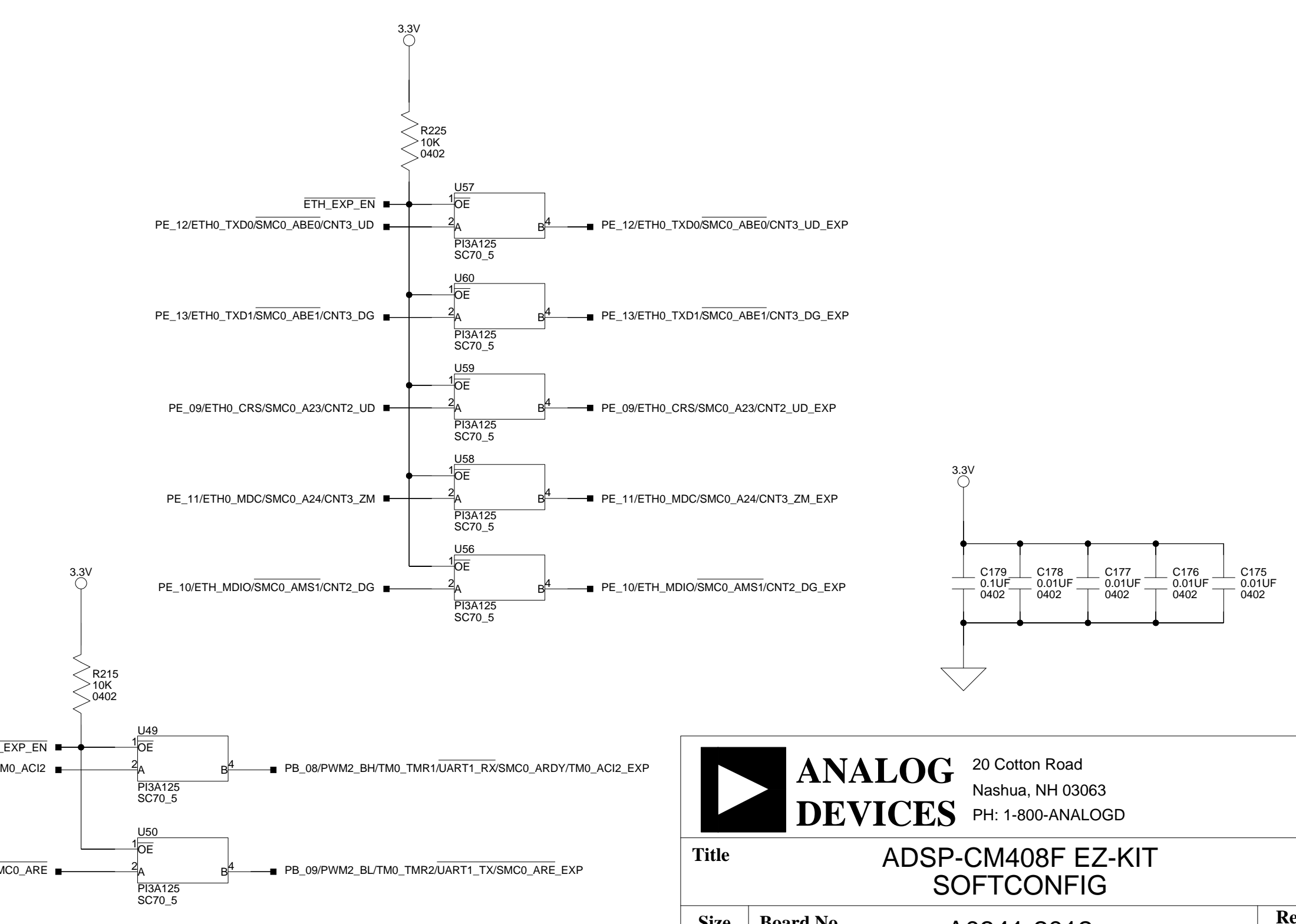
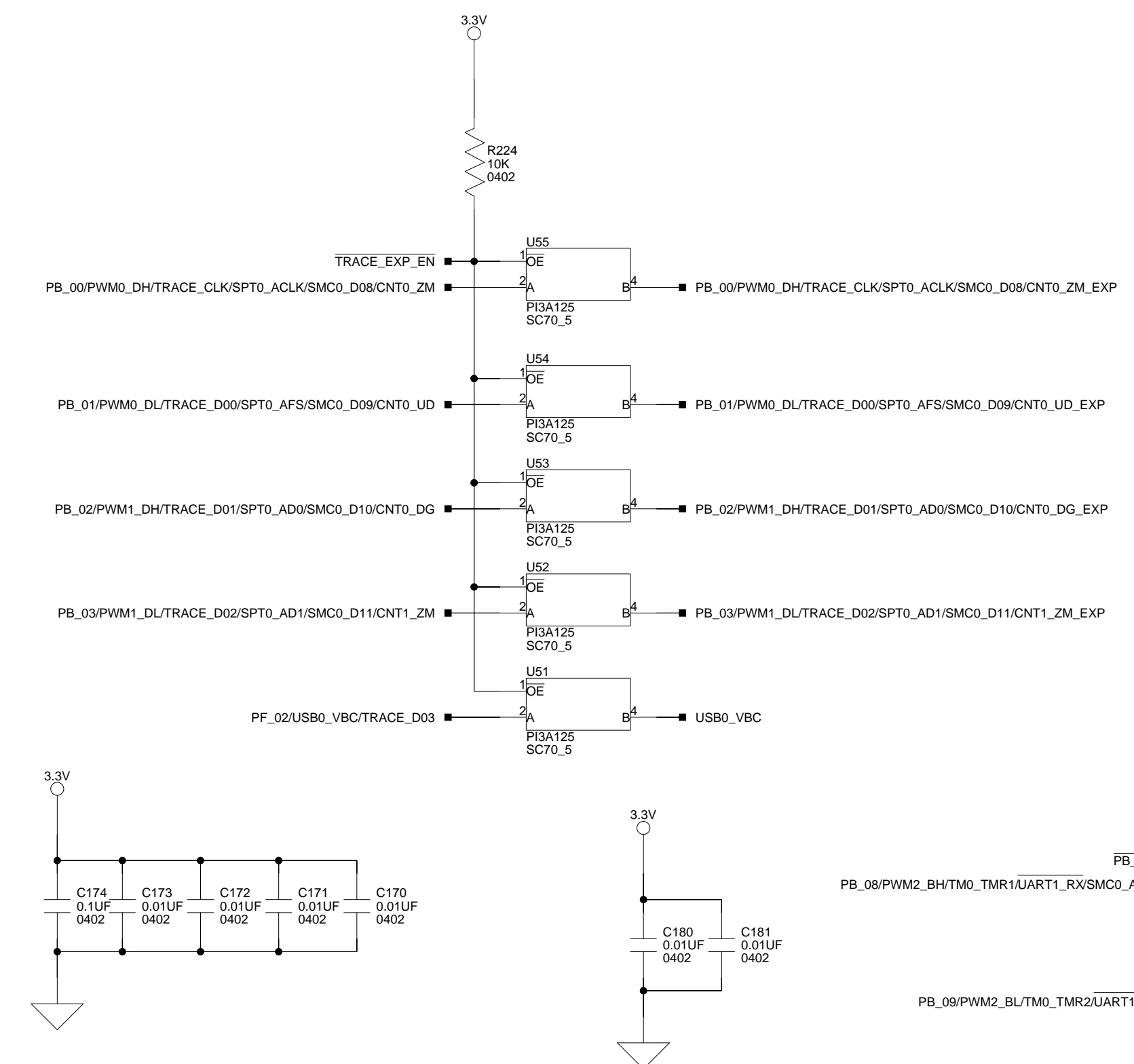
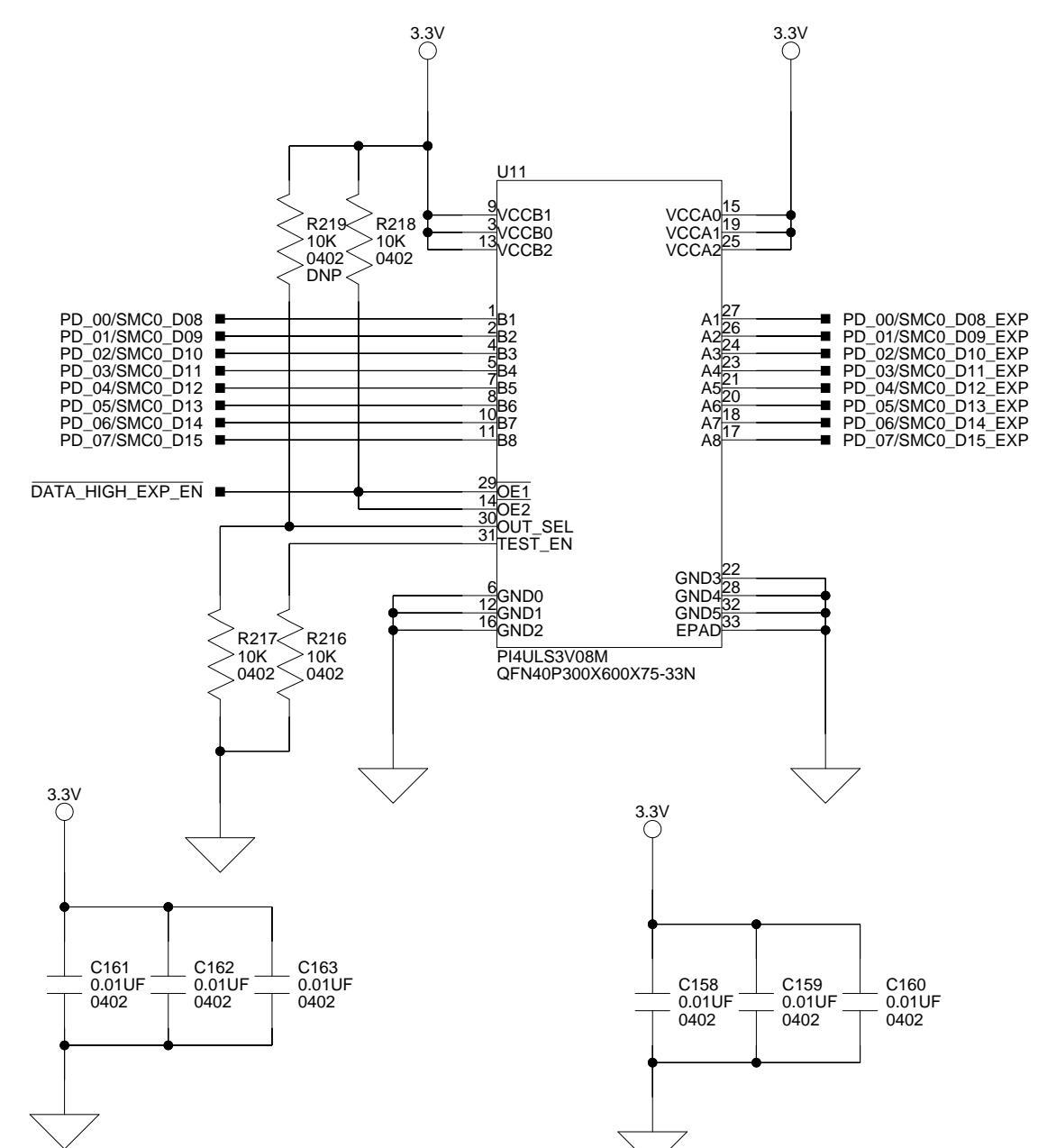
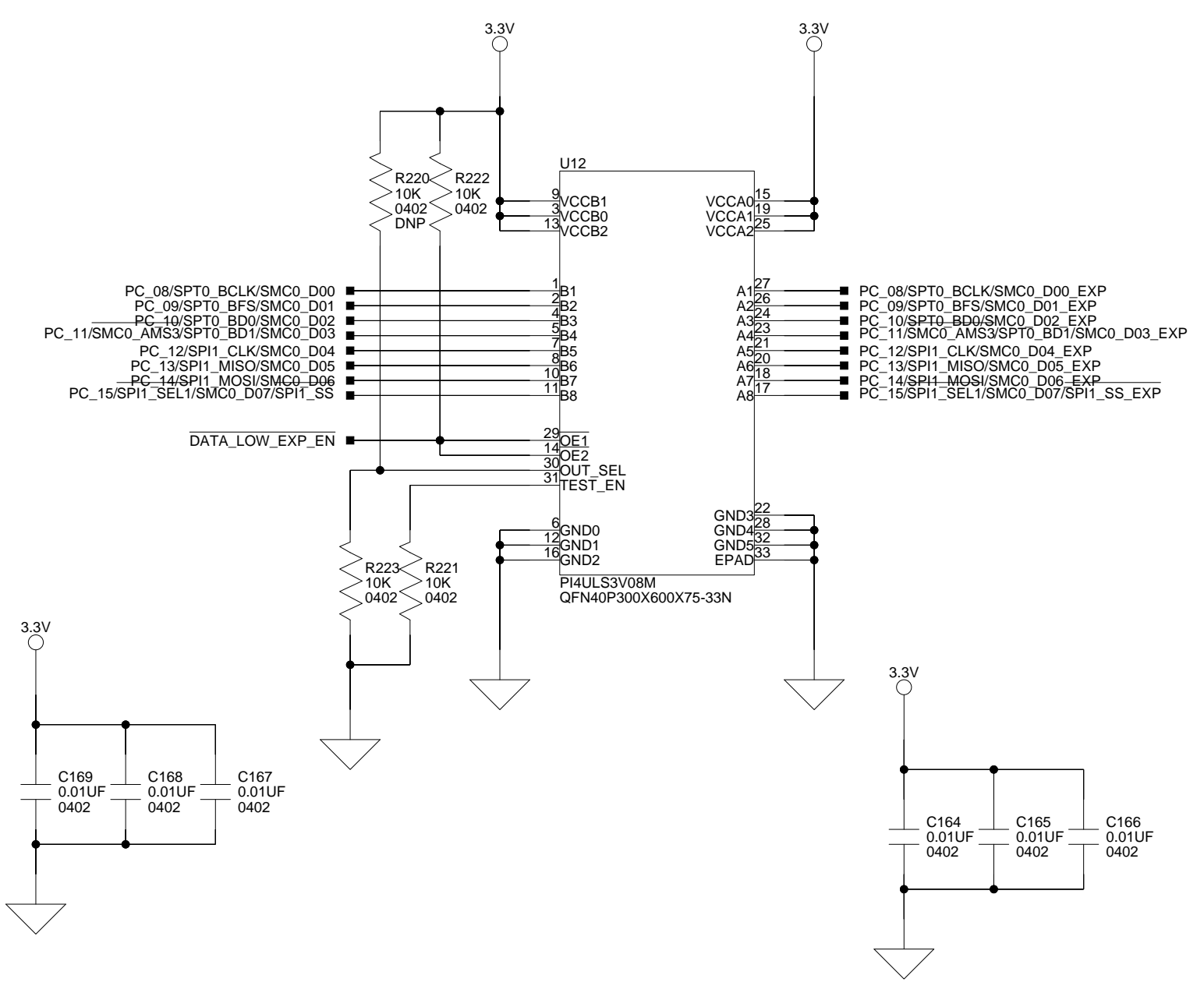
2

3

3

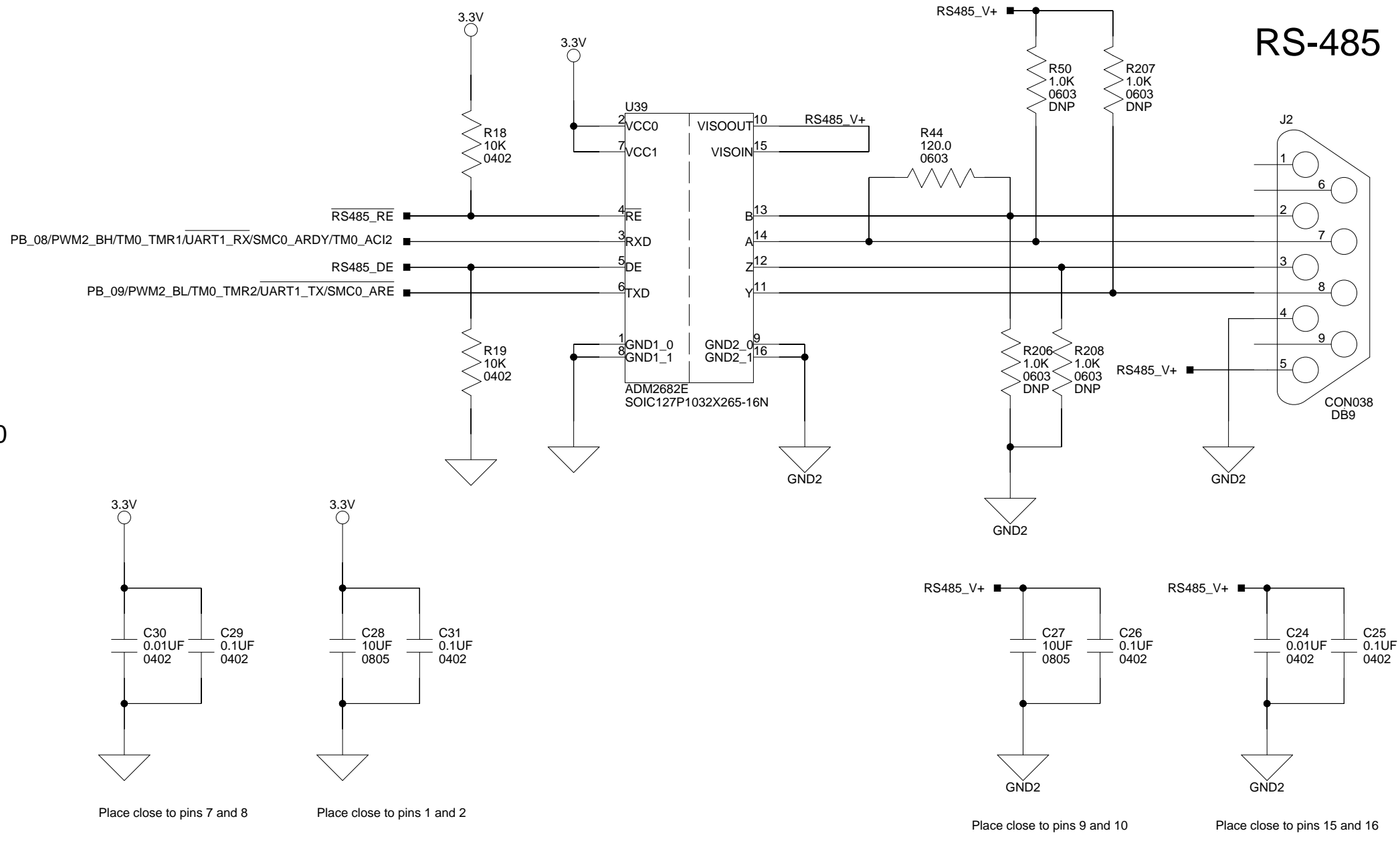
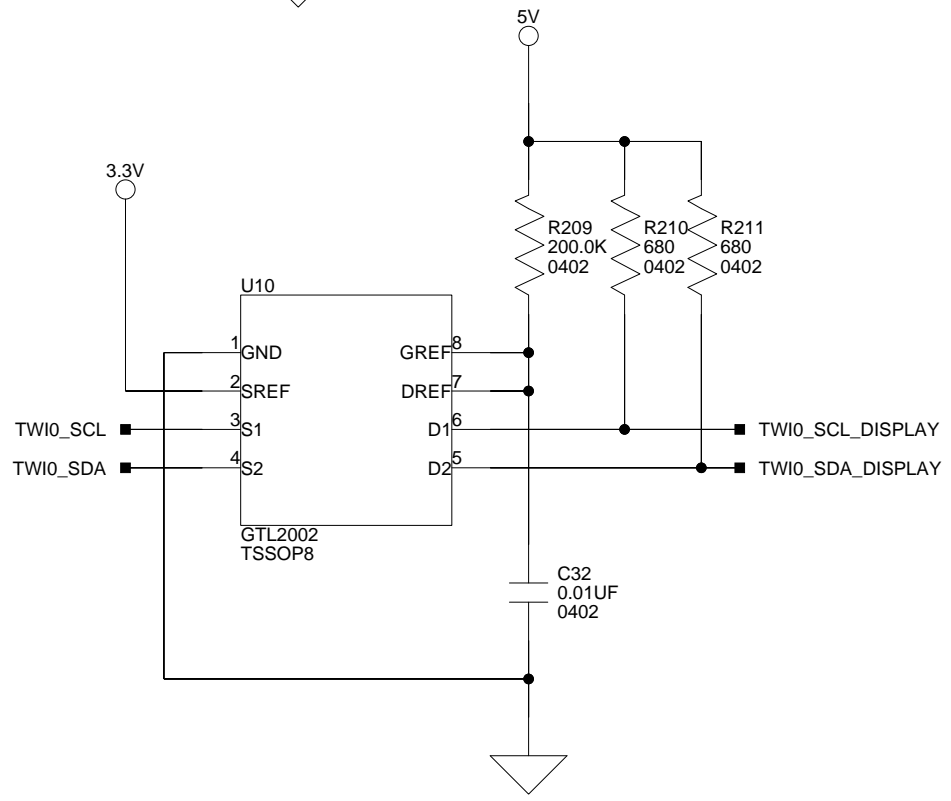
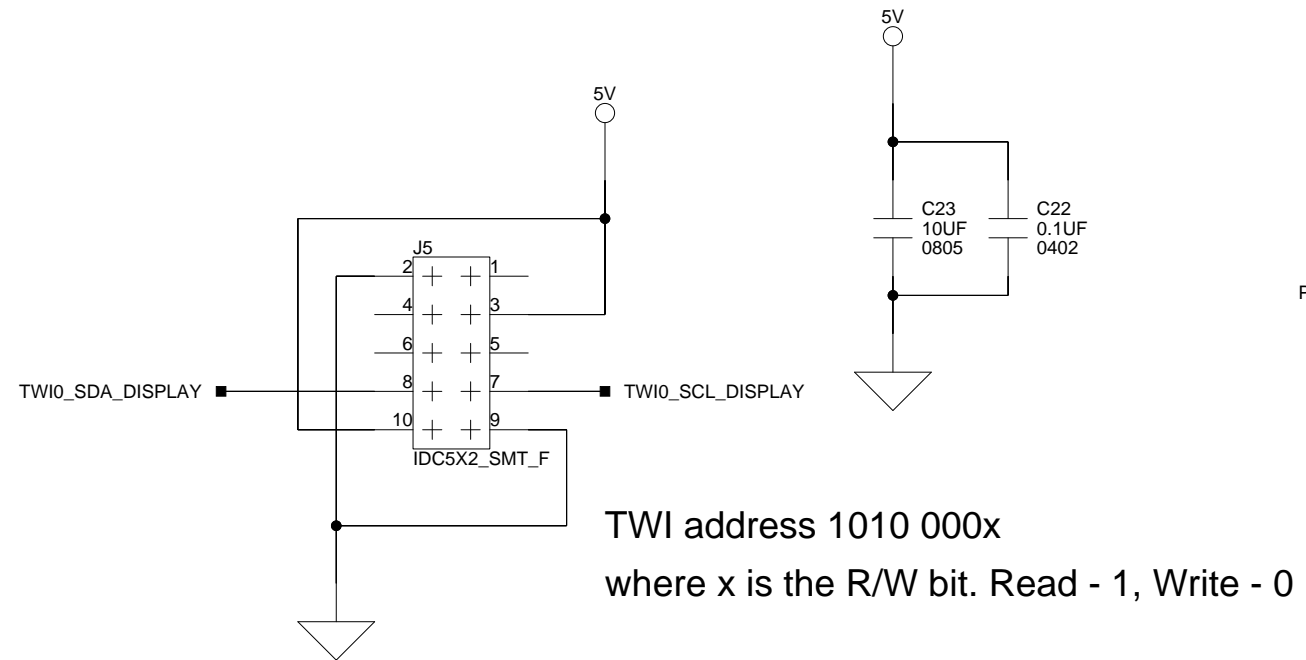
4

4



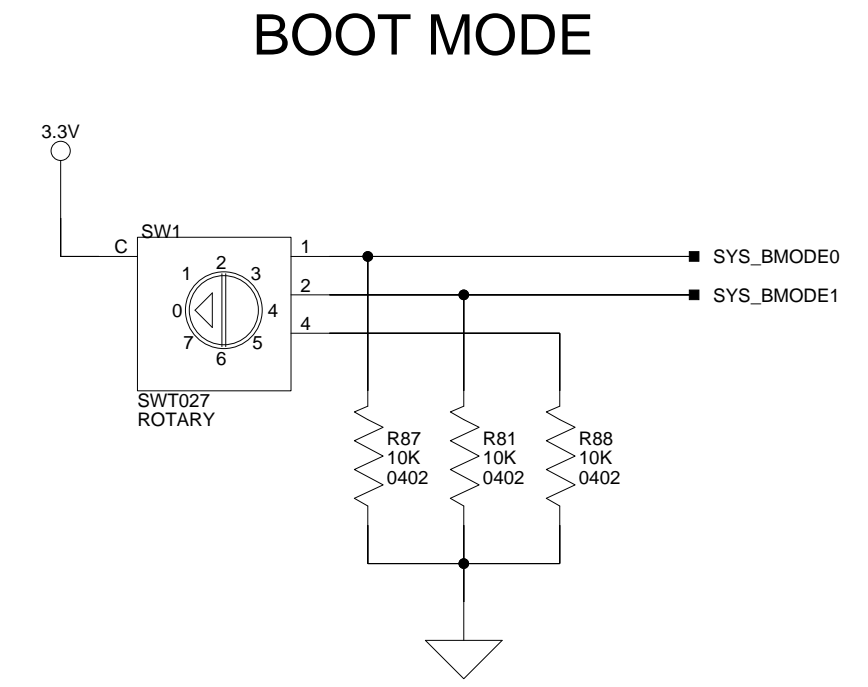
 ANALOG DEVICES 20 Cotton Road Nashua, NH 03063 PH: 1-800-ANALOGD		Title ADSP-CM408F EZ-KIT SOFTCONFIG		
		Size C Board No.	A0341-2012	
Date 07/02/2013		Sheet 6 of 13		

20 X 2 Character Display



BOOT MODE SWITCH (SW1)

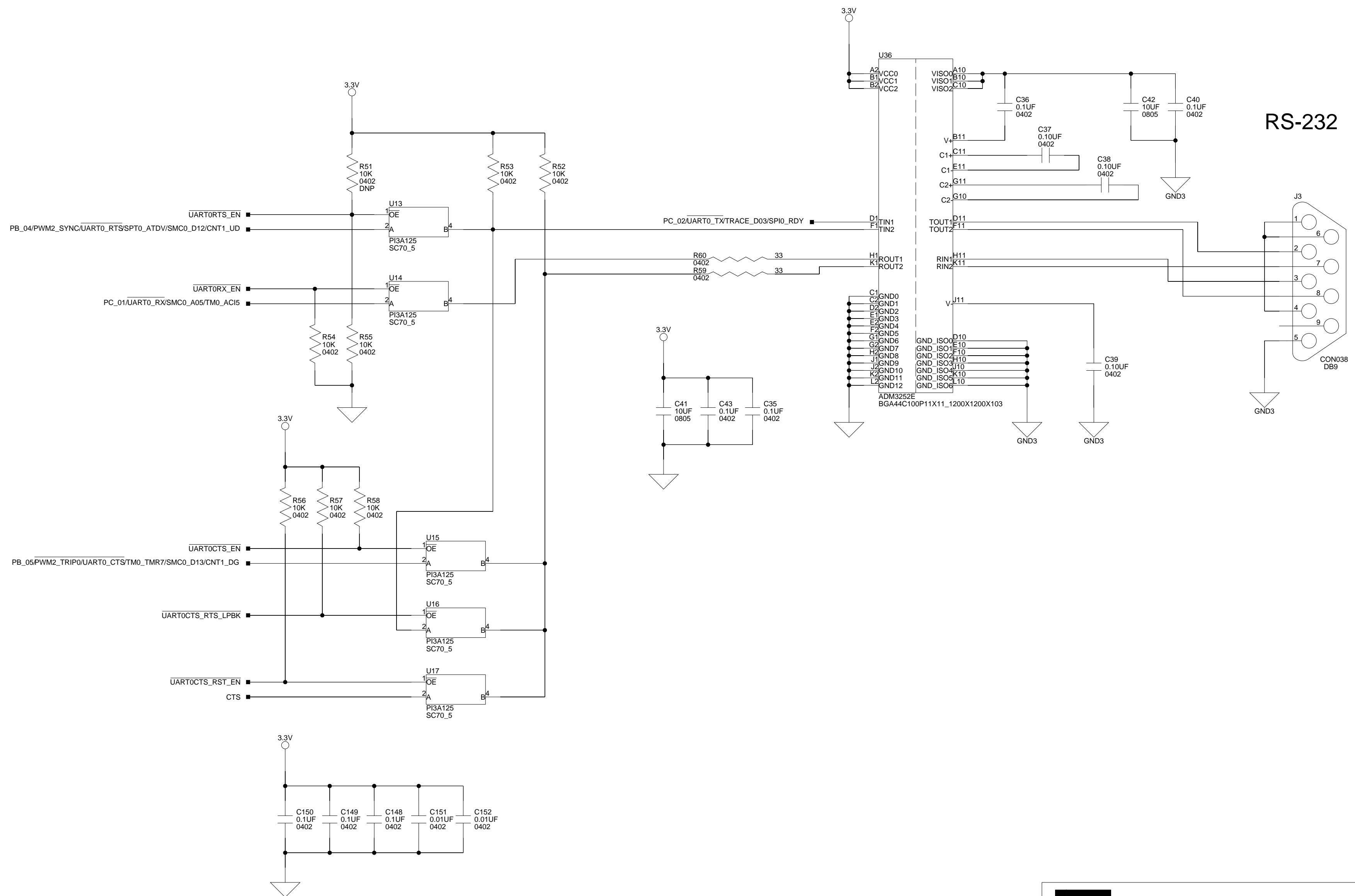
BOOT MODE (1:0)	
00	No Boot
01	SPI Master Boot (internal SPI2)
10	SPI Slave Boot (SPI0)
11	UART Boot (UART0)

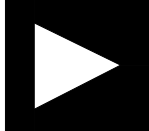


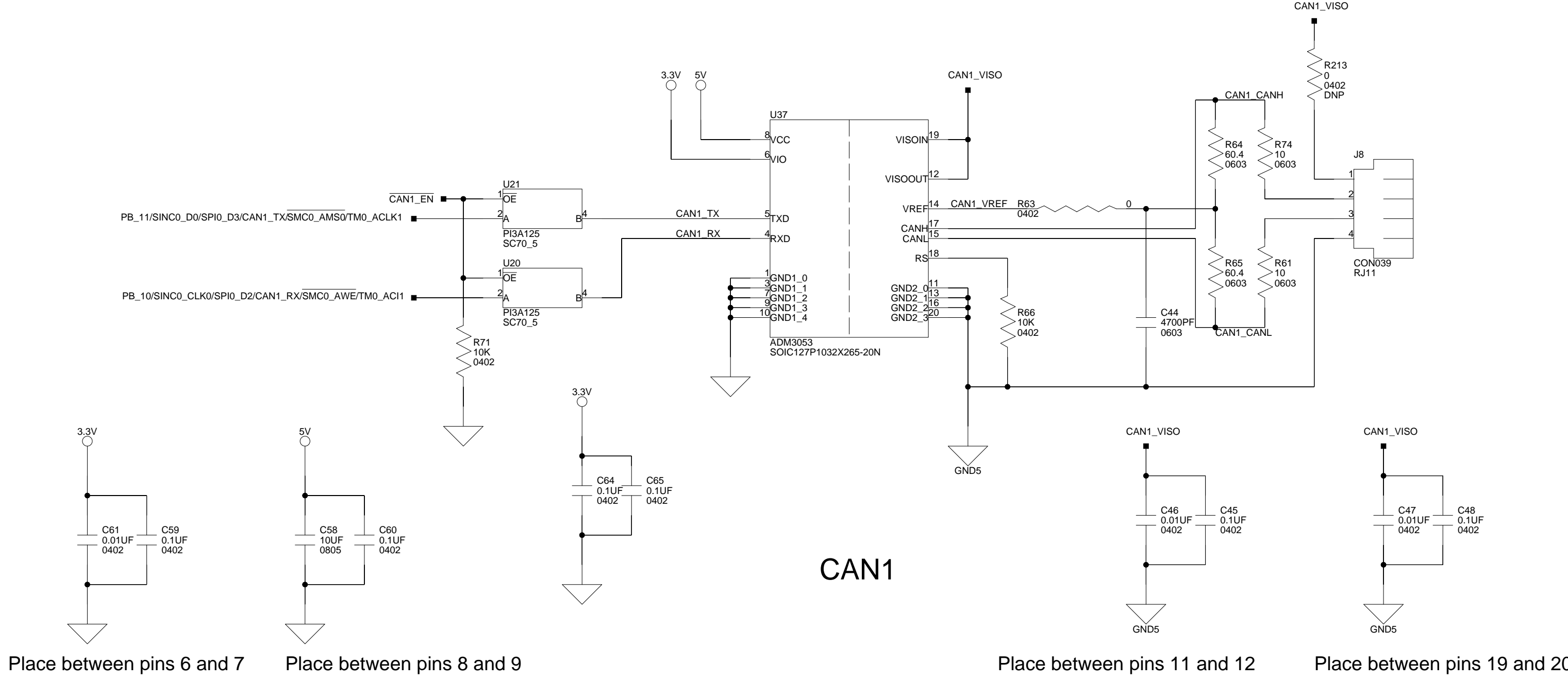
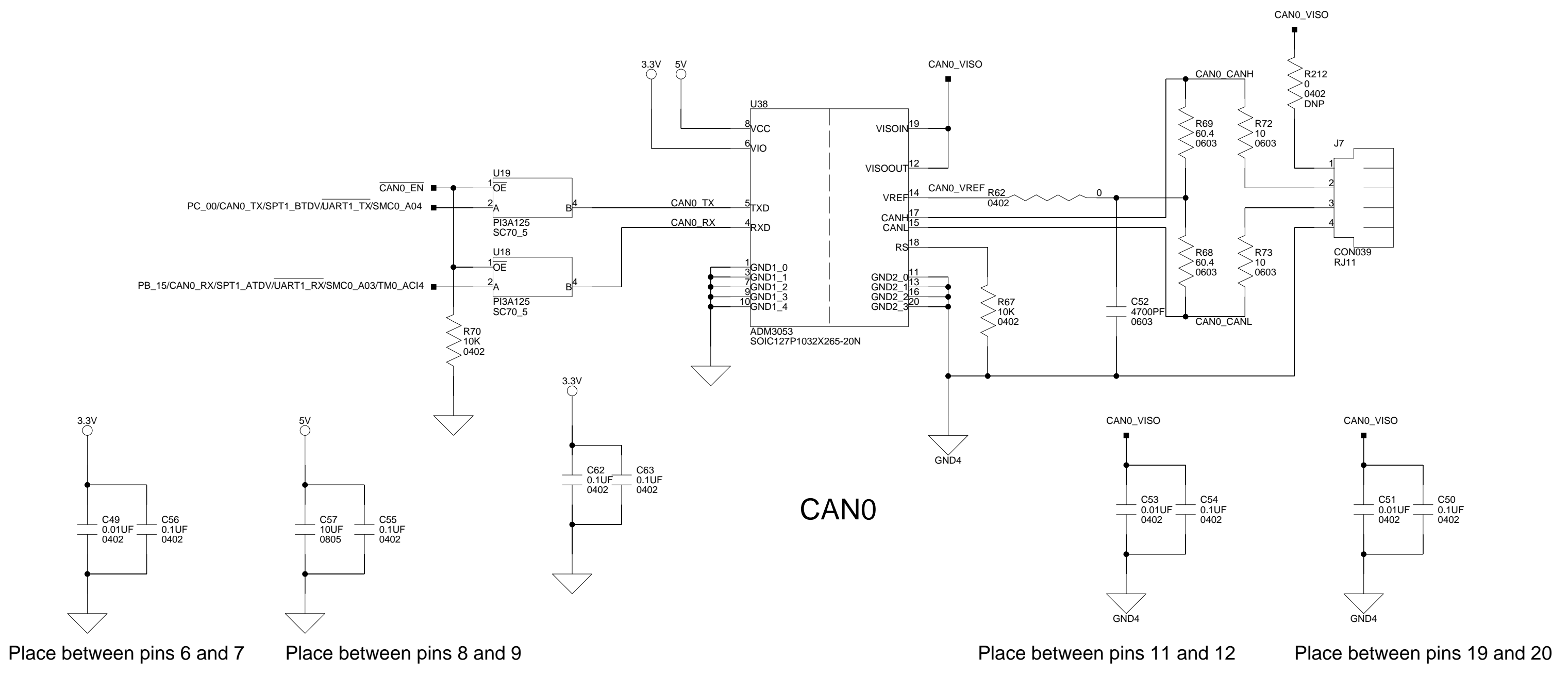
ANALOG DEVICES 20 Cotton Road
Nashua, NH 03063
PH: 1-800-ANALOGD

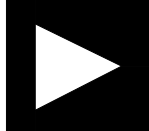
Title **ADSP-CM408F EZ-KIT**
RS-485, ROTARY, DISPLAY AND BOOT CONN

Size C	Board No. A0341-2012	Rev 0.2A
Date	07/02/2013	Sheet 7 of 13



 ANALOG DEVICES		20 Cotton Road Nashua, NH 03063 PH: 1-800-ANALOGD	
		Title ADSP-CM408F EZ-KIT RS-232	
Size C	Board No. A0341-2012	Rev 0.2A	
Date 07/02/2013	Sheet 8 of 13		



 ANALOG DEVICES		20 Cotton Road Nashua, NH 03063 PH: 1-800-ANALOGD	
		Title ADSP-CM408F EZ-KIT CAN0 AND CAN1	
Size C	Board No. A0341-2012	Rev 0.2A	
Date 07/02/2013	Sheet 9 of 13		

1

1

2

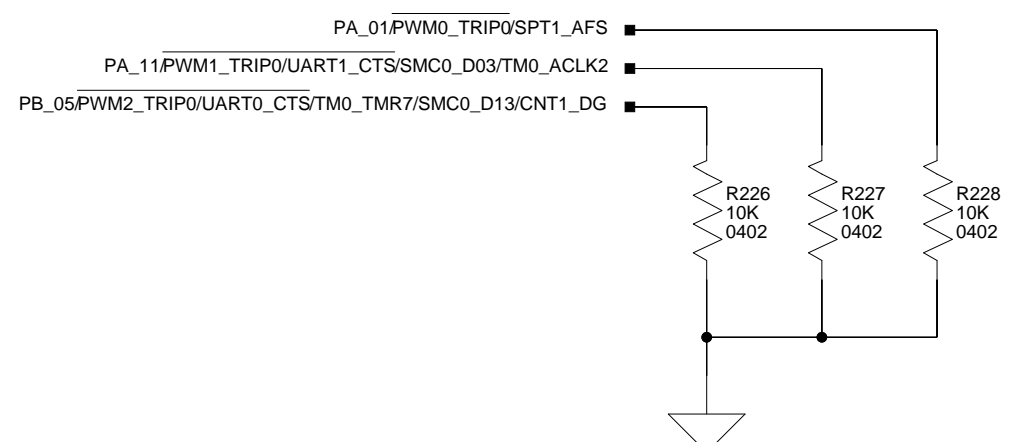
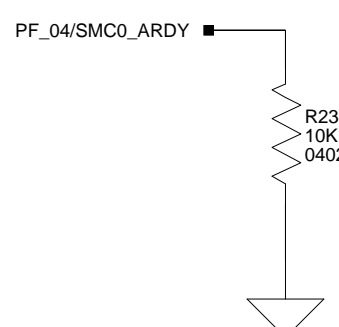
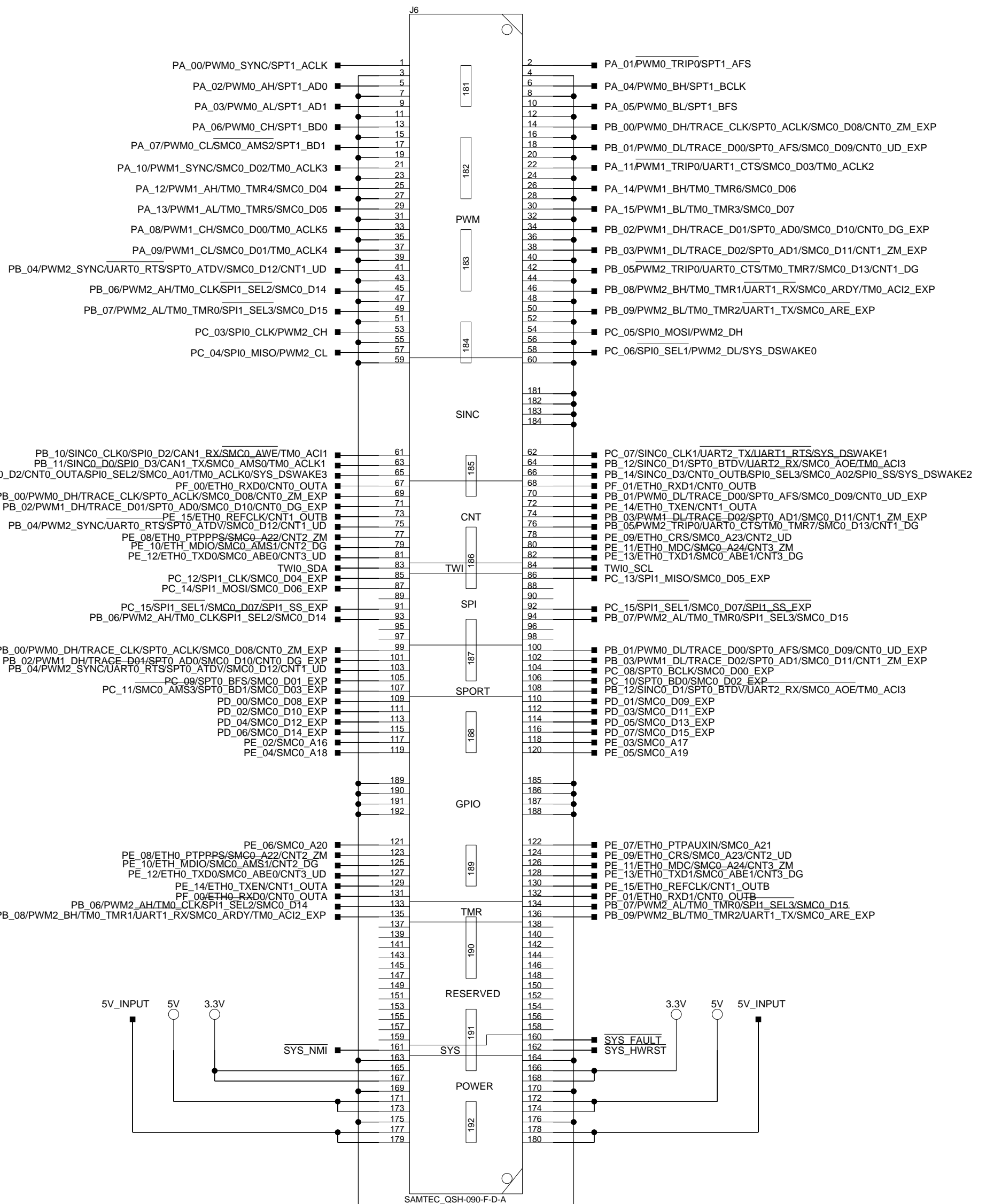
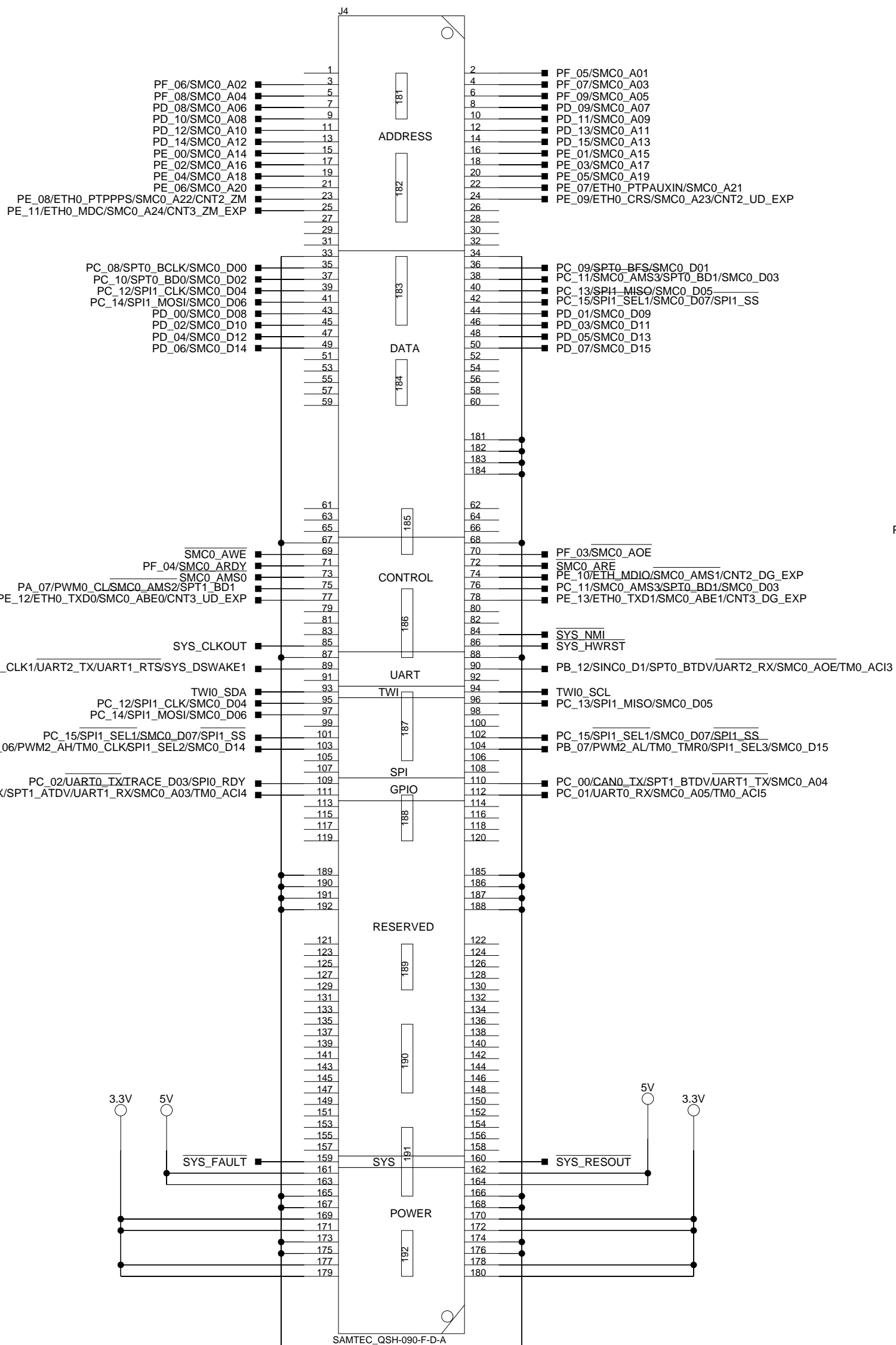
2

3

3

4

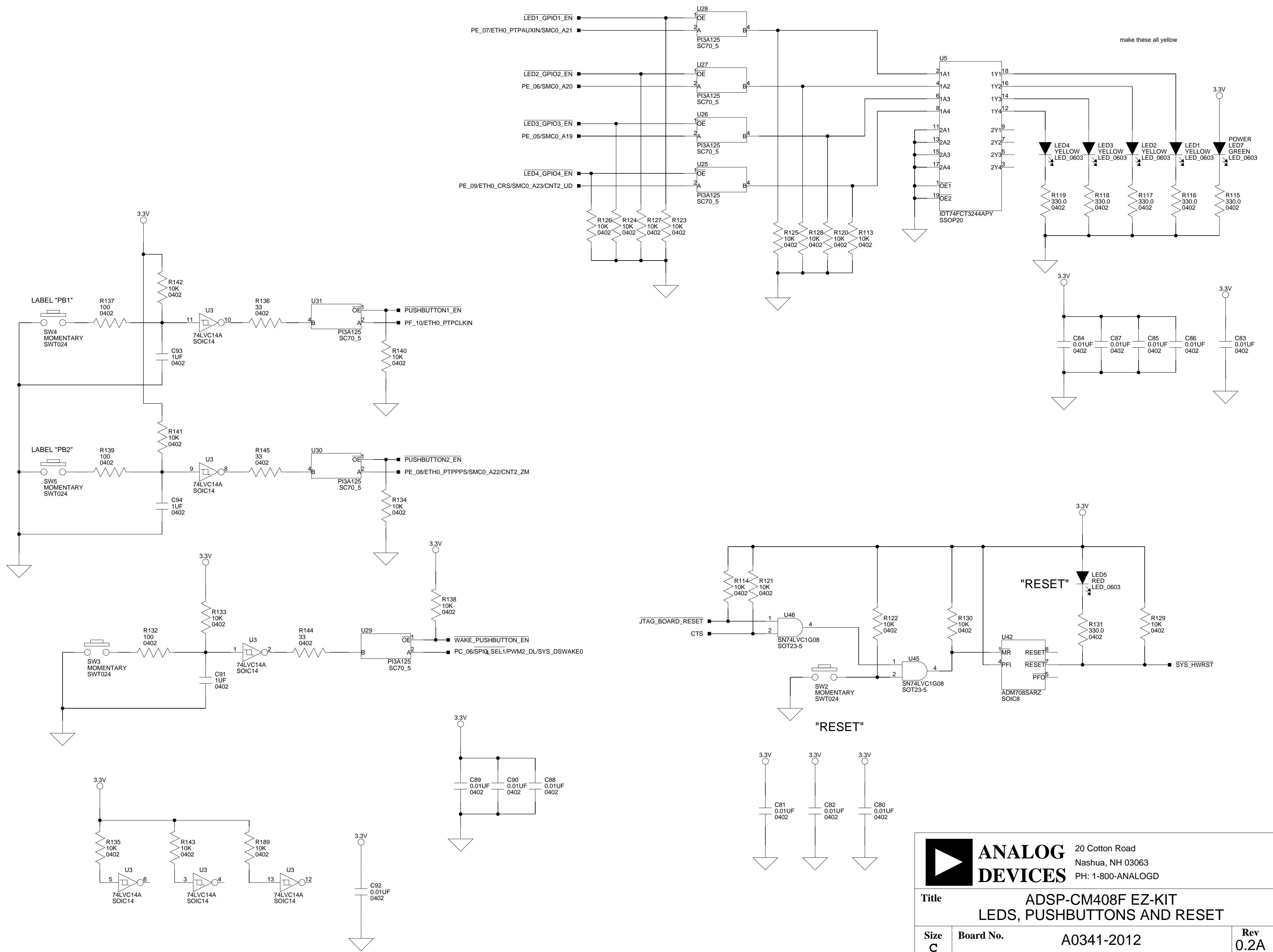
4



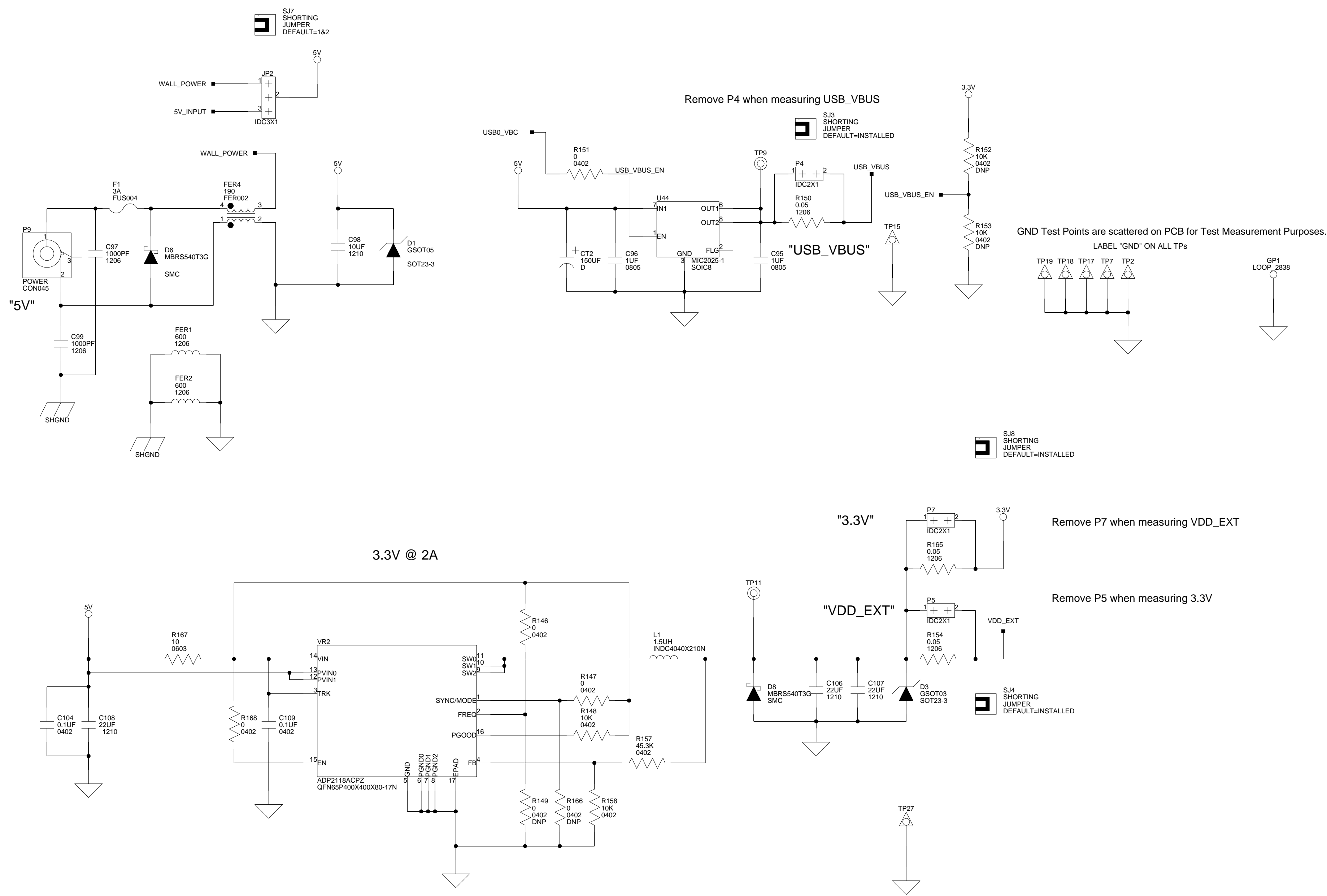
ANALOG DEVICES

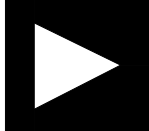
20 Cotton Road
Nashua, NH 03063
PH: 1-800-ANALOGD

Title		ADSP-CM408F EZ-KIT EXPANSION CONNECTORS	
Size C	Board No.	A0341-2012	
Date	07/02/2013	Sheet	11 of 13
		Rev	0.2A



		20 Cotton Road Nashua, NH 03063 PH: 1-800-ANALOGD	
		Title ADSP-CM408F EZ-KIT LEDS, PUSHBUTTONS AND RESET	
Size C	Board No. A0341-2012	Rev 0.2A	
Date 07/02/2013	Sheet 12 of 13		



 ANALOG DEVICES		20 Cotton Road Nashua, NH 03063 PH: 1-800-ANALOGD	
		Title ADSP-CM408F EZ-KIT POWER	
Size C	Board No. A0341-2012	Rev 0.2A	
Date 07/02/2013	Sheet 13		of 13

I INDEX

A

ADSP-CM408F processor, [x](#)
analog connector (J9), [2-26](#)
architecture, of this EZ-KIT Lite, [2-2](#)
asynch or memory connector (J4), [2-24](#)

B

bill of materials, [A-1](#)
board schematic (ADSP-CM408F), [B-1](#)
bus switch, [2-5](#)
 example, [2-6](#)

C

CAN0 connector (J7), [2-25](#)
CAN1 connector (J8), [2-26](#)
character display connector (J5), [2-25](#)
configuration, of this EZ-KIT Lite, [1-3](#)
connectors, [2-23](#)
 diagram of locations, [2-23](#)
 J1 (ethernet), [2-24](#)
 J2 (RS-485), [2-24](#)
 J3 (DCE UART), [2-24](#)
 J4 (asynch or memory), [2-24](#)
 J5 (character display), [2-25](#)
 J6 (PWM), [2-25](#)
 J7 (CAN0), [2-25](#)
 J8 (CAN1), [2-26](#)
 J9 (analog), [2-26](#)

connectors *(continued)*

 P10 (VREF buffered), [2-27](#)
 P1 (JTAG/SWD/SWV), [2-26](#)
 P2 (RACE and JTAG/SWD), [2-26](#)
 P3 (USB), [2-27](#)
 P8 (IEEE 1588), [2-27](#)
 P9 (power), [2-27](#)
contents, of this EZ-KIT Lite package, [1-2](#)

D

DCE UART connector (J3), [2-24](#)
debug interface, [1-13](#)
default configuration, of this EZ-KIT Lite, [1-3](#)
default jumper and switch settings, [1-4](#)
default processor interface availability, [2-7](#)
design reference information, [1-16](#)

E

EngineerZone, [xviii](#)
ethernet connector (J1), [2-24](#)
ethernet interface, [1-12](#)
ethernet speed LED (LED6), [2-21](#)
example programs, [1-16](#)
expansion interface, [1-14](#)

F

FET switches, [2-4](#)
 example, [2-4](#)

Index

G

general-purpose I/O pins (GPIO), [2-21](#)

I

IEEE 1588 (P8), [2-27](#)

installation, of this EZ-KIT Lite, [1-4](#), [1-5](#)

J

JTAG/SWD/SWV connector (P1), [2-26](#)

jumpers

 diagram of locations, [2-17](#)

L

LEDs, [2-20](#)

 diagram of locations, [2-20](#)

 LED1-4 (GPIO), [2-21](#)

 LED5 (reset), [2-21](#)

 LED6 (ethernet speed), [2-21](#)

 LED7 (power), [2-22](#)

 LED8 (SYS_FAULT), [2-22](#)

M

mechanical switch, [2-5](#), [2-7](#)

N

notation conventions, [xviii](#)

P

package contents, [1-2](#)

power

 architecture, [1-15](#)

 LED (LED7), [2-22](#)

 measurements, [1-15](#)

power connector (P9), [2-27](#)

power-on-self test (POST), [1-14](#)

product overview, [x](#)

programming SoftConfig switches, [2-8](#)

push buttons and switches, [2-15](#)

PWM connector (J6), [2-25](#)

R

reset LED (LED5), [2-21](#)

RS-485 connector (J2), [2-24](#)

S

schematic, of ADSP-CM408F EZ-KIT Lite,

[B-1](#)

serial liquid crystal display module interface,

[1-13](#)

SoftConfig

 on the EZ-KIT Lite, [2-7](#), [2-10](#)

 overview, [2-3](#)

 programming switches, [2-8](#)

SRAM memory (U2), [1-8](#)

supported tools, [xvii](#)

switches

 programming SoftConfig, [2-8](#)

switches, diagram of locations, [2-15](#)

SYS_FAULT LED (LED8), [2-22](#)

system architecture, of this EZ-KIT Lite, [2-2](#)

T

technical support, [xvi](#)

TRACE and JTAG/SWD connector (P2), [2-26](#)

U

USB connector (P3), [2-27](#)

V

VREF buffered connector (P10), [2-27](#)