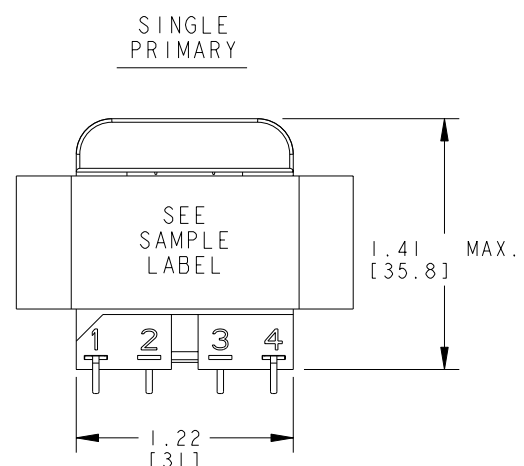
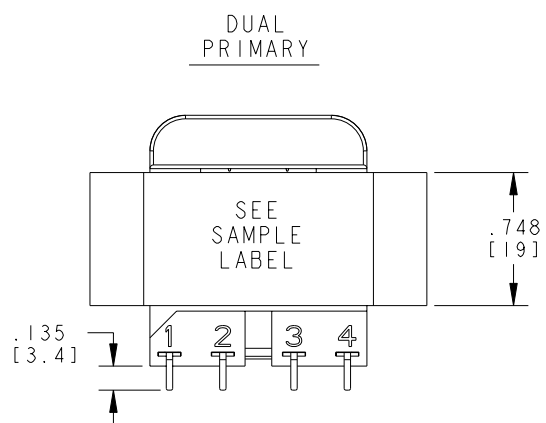


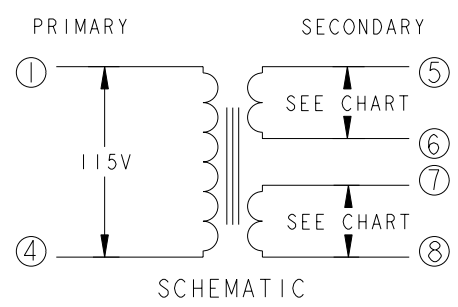
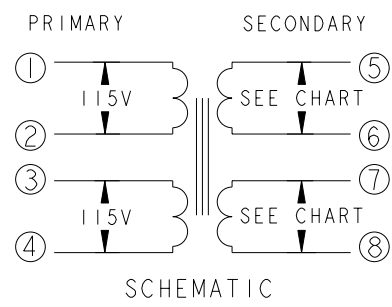
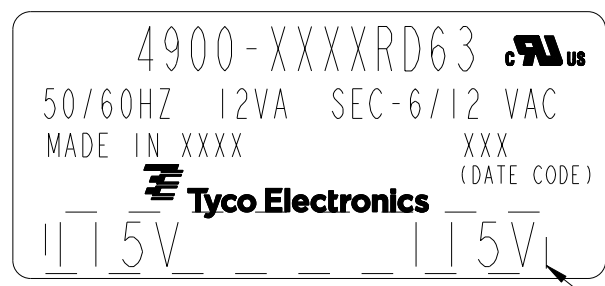
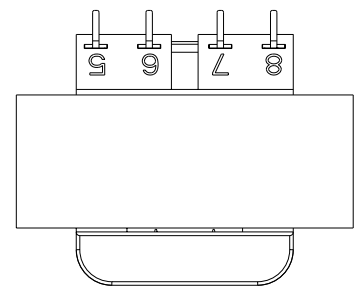
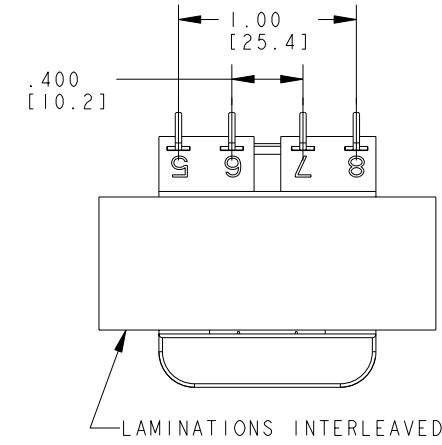
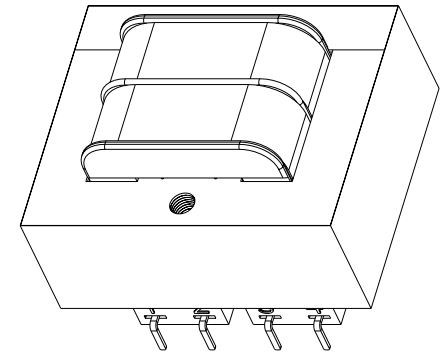
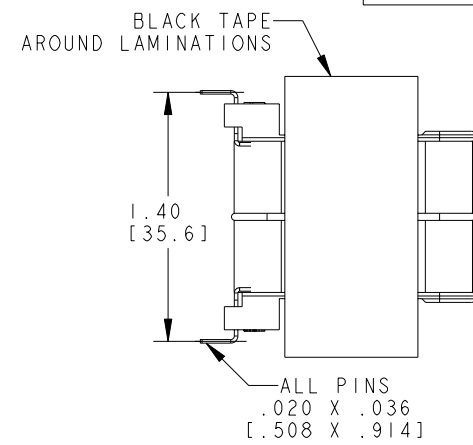
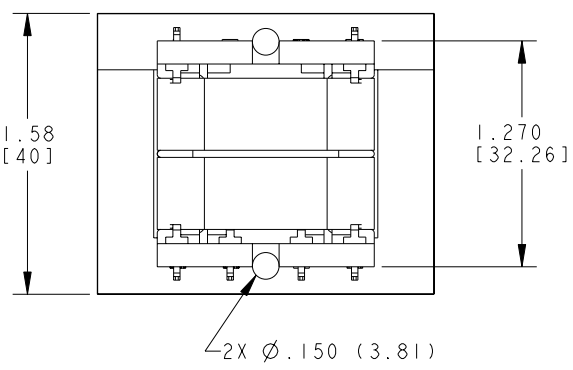
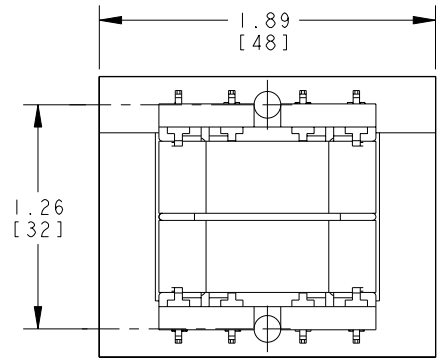
THIS DRAWING IS UNPUBLISHED. RELEASED FOR PUBLICATION 20
 © COPYRIGHT 20 BY TYCO ELECTRONICS CORPORATION. ALL RIGHTS RESERVED.

LOC	DIST	REVISIONS					
		P	LTR	DESCRIPTION	DATE	DWN	APVD
GZ	00	C		ECR-09-005727	02APR2009	JS	JH
		D		ECR-09-011630	11JUN2009	JS	DB



CERTIFICATION: UL/CUL FILE NO. E102980 HZ. 50/60 V.A. 12
 DIMENSIONS FOR REFERENCE ONLY.

PRIMARY	SECONDARY	P. U. PART NUMBER	TYCO ELECTRONICS PART NUMBER
	SERIES PARALLEL		
115 VAC	12 VCT 6 VAC	4900-8012RD63	1672325-2
115 VAC	12.6 VCT 6.3 VAC	4900-8013RD63	1672325-3
115 VAC	24 VCT 12 VAC	4900-8024RD63	1672325-6
115 VAC	28 VCT 14 VAC	4900-8028RD63	1672325-7
115 VAC	48 VCT 24 VAC	4900-8048RD63	1-1672325-0
115/230 VAC	12 VCT 6 VAC	4900-9012RD63	1-1672325-4
115/230 VAC	12.6 VCT 6.3 VAC	4900-9013RD63	1-1672325-5
115/230 VAC	24 VCT 12 VAC	4900-9024RD63	1-1672325-8
115/230 VAC	28 VCT 14 VAC	4900-9028RD63	1-1672325-9
115/230 VAC	48 VCT 24 VAC	4900-9048RD63	2-1672325-2



THIS DRAWING IS A CONTROLLED DOCUMENT FOR TYCO ELECTRONICS CORPORATION. IT IS SUBJECT TO CHANGE AND THE CONTROLLING ENGINEERING ORGANIZATION SHOULD BE CONTACTED FOR THE LATEST REVISION.		DWN J. SLIKE 22JUL2008	Tyco Electronics Harrisburg, PA 17105-3608	
DIMENSIONS: INCHES [mm]		CHK J. HURLBURY 22JUL2008	NAME	
TOLERANCES UNLESS OTHERWISE SPECIFIED:		APVD J. HURLBURY 22JUL2008	TRANSFORMER OUTLINE	
0 PLC ±		PRODUCT SPEC	RESTRICTED TO	
1 PLC ±		APPLICATION SPEC	SIZE A2	CAGE CODE 00779
2 PLC ±.01		WEIGHT	DRAWING NO. 4900-RD63	REV D
3 PLC ±.005		CUSTOMER DRAWING	SCALE 5:1	SHEET 1 OF 1
4 PLC ±				
ANGLES ±				
FINISH				