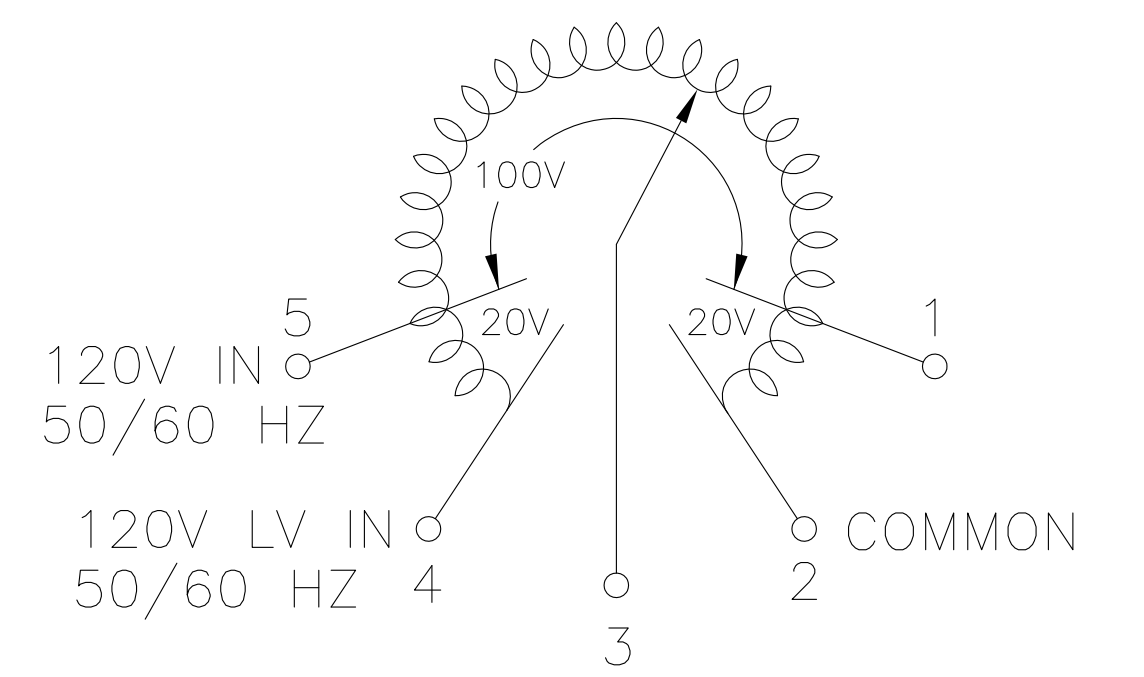


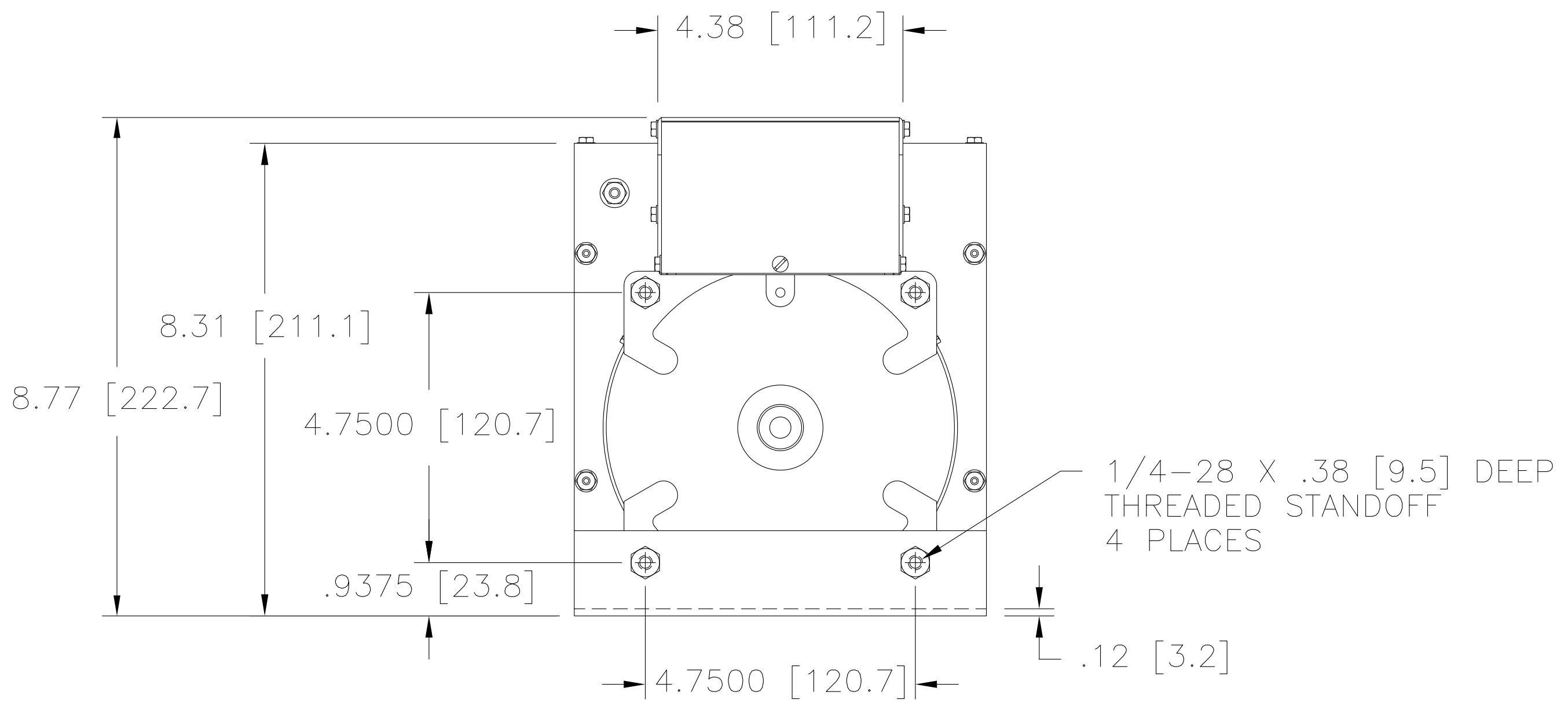
MOTOR CIRCUIT
 120V, 50/60 HZ
 * ROTATION AS VIEWED FROM MOTOR END
 MOTOR SPEED: SEE CHART



OUTPUT
 COIL SCHEMATIC
 AS VIEWED FROM BASE END
 FUSE RECOMMENDED BUT NOT SUPPLIED

+ MOTOR DRIVEN UNITS USE TERMINAL CONNECTIONS FOR CCW INCREASING VOLTAGE, AS VIEWED FROM THE BASE END.

SPEED (SECONDS)	MODEL NUMBER
5	5M1510CT
15	15M1510CT
30	30M1510CT
60	60M1510CT



WIRING	INPUT		OUTPUT				SHAFT ROTATION TO INCREASE VOLTAGE	TERMINAL CONNECTIONS			
	VOLTS	HERTZ	VOLTS	CONSTANT CURRENT LOAD		CONSTANT IMPEDANCE LOAD		FOR INCREASING VOLTAGE AS VIEWED FROM BASE END +			
				MAX. AMPS	MAX. KVA	MAX. AMPS		MAX. KVA	INPUT	JUMPER	OUTPUT
SINGLE PHASE	120	50/60	0-120	15	1.80	20	2.40	CW	2-4	---	4-3
			0-140	15	2.10	---	---	CCW	2-4	---	2-3
								CW	1-4	---	4-3
								CCW	5-2	---	2-3

UNLESS OTHERWISE SPECIFIED, TOLERANCE IS # DECIMALS HOLES ANGLES DRAFT .XX .0005 .06 .0002 .01 1° 1-1/2°
 MATERIAL: ALL DIMENSIONS APPLY AFTER PLATING
 TITLE: SPEC. CONTROL DRAWING VARIABLE TRANSFORMER MODEL: M1510CT
 STACO ENERGY PRODUCTS CO. A COMPONENTS CORPORATION OF AMERICA COMPANY DAYTON, OHIO U.S.A.
 DRAWN BY: TIM RAU DATE: 9/28/98 FIRST USED ON: M1510CT DO NOT SCALE DWG.
 CHECKER: DATE: WEIGHT APPROX: 26 LBS CODE IDENT. NO.: 83008 DWG. NO.: 031-3801
 ENGINEER: DATE: SCALE: .50=1 SHEET 1 OF 1 CUSTOMER APPROVAL: DATE: