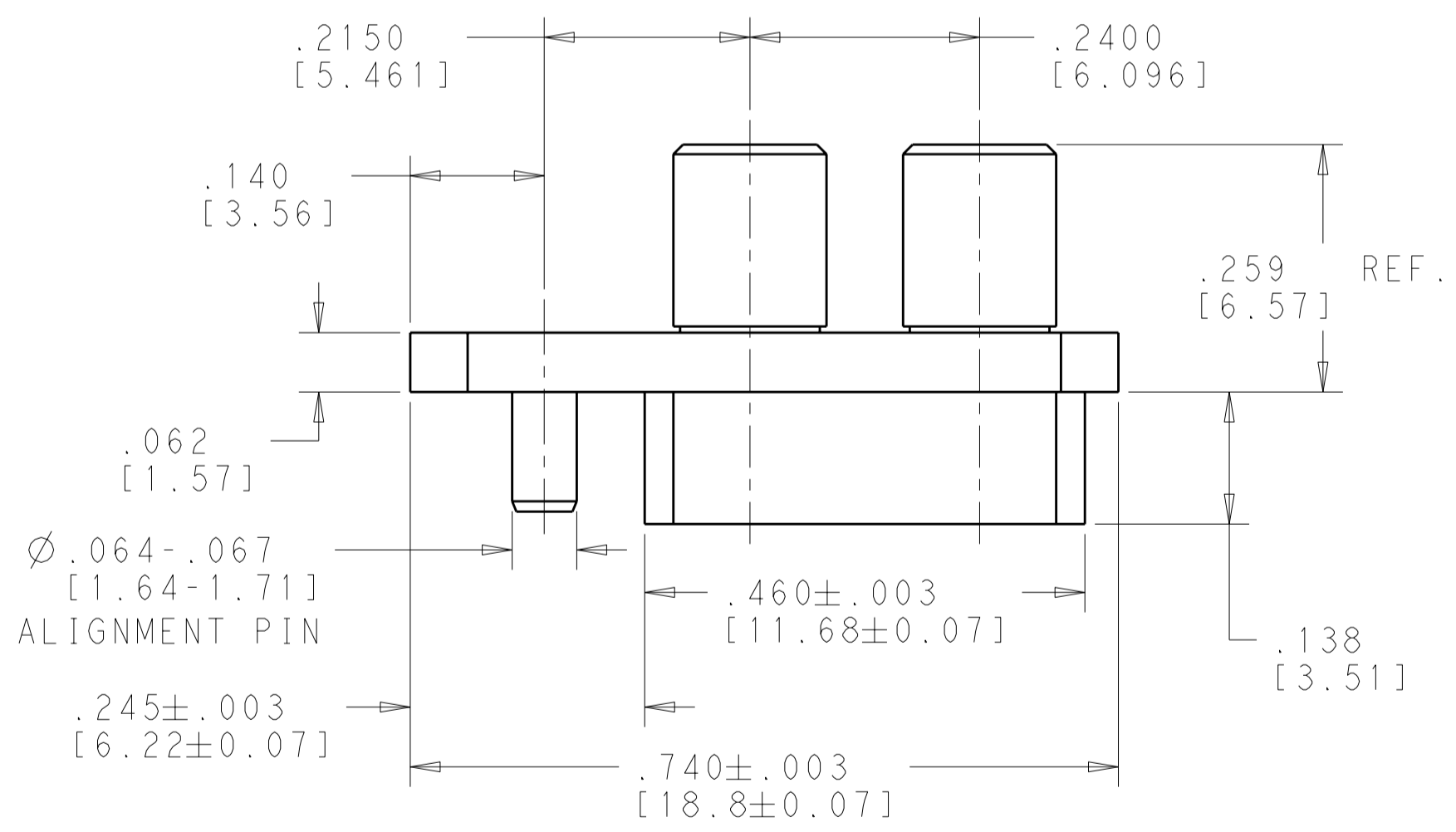
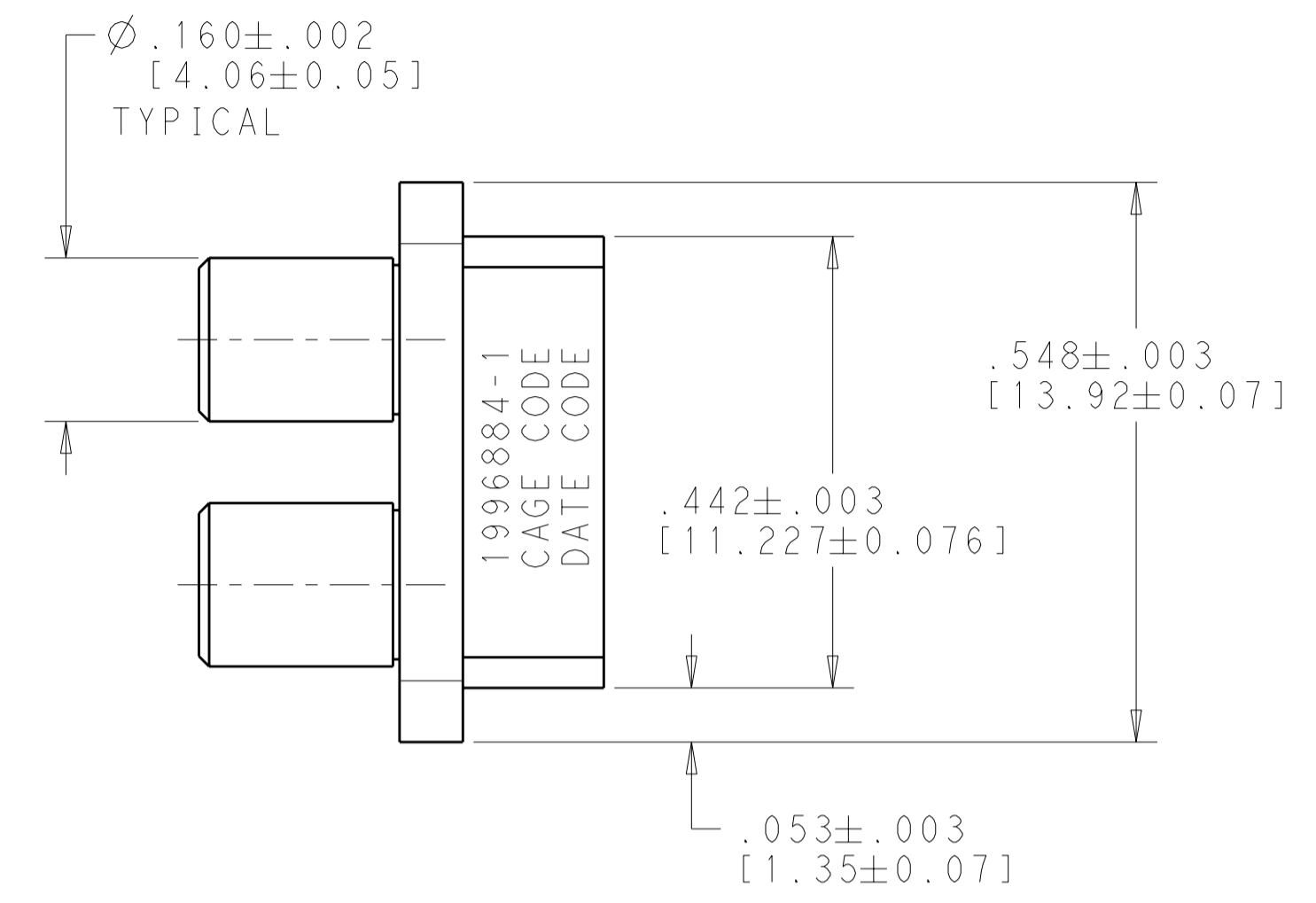
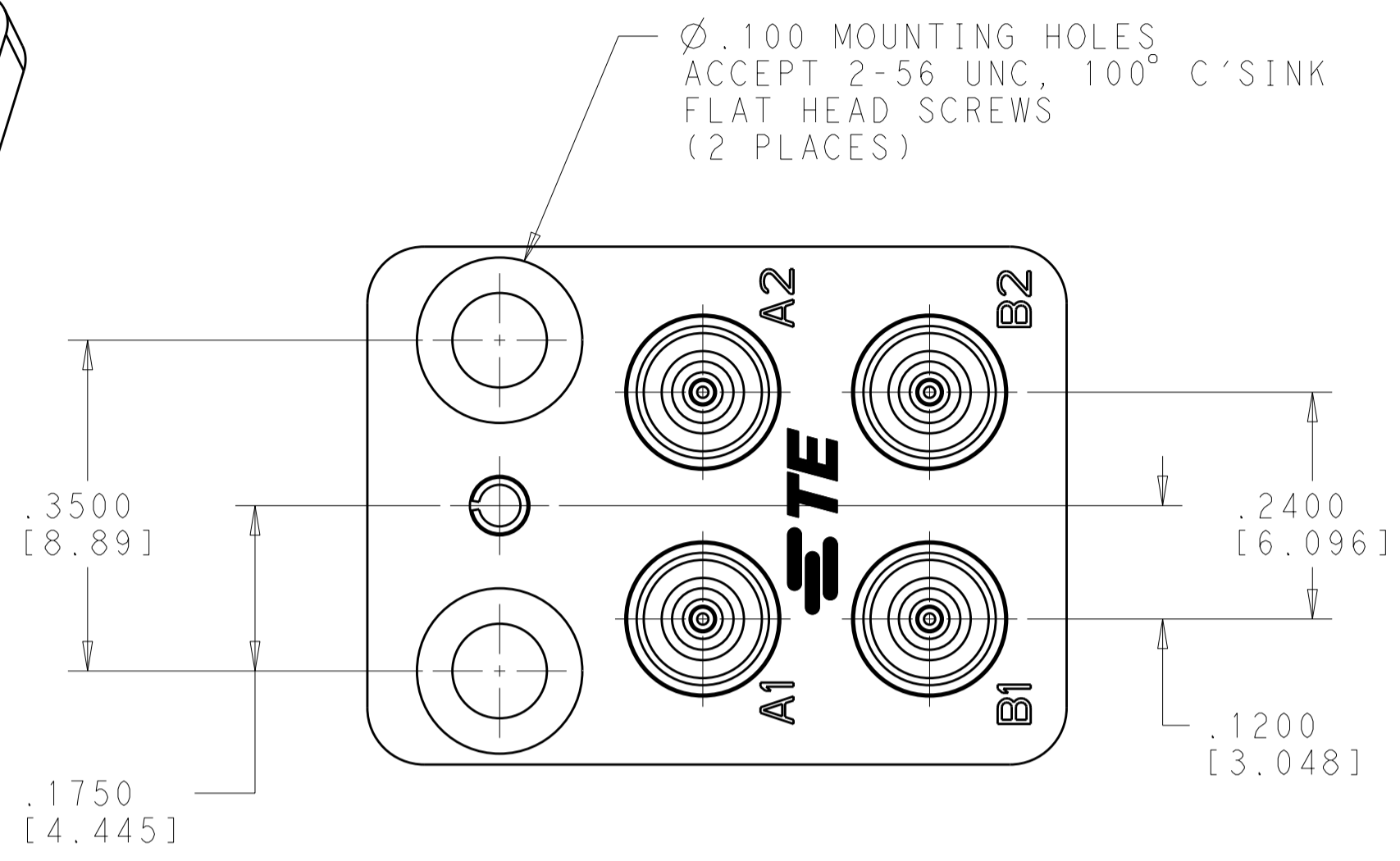
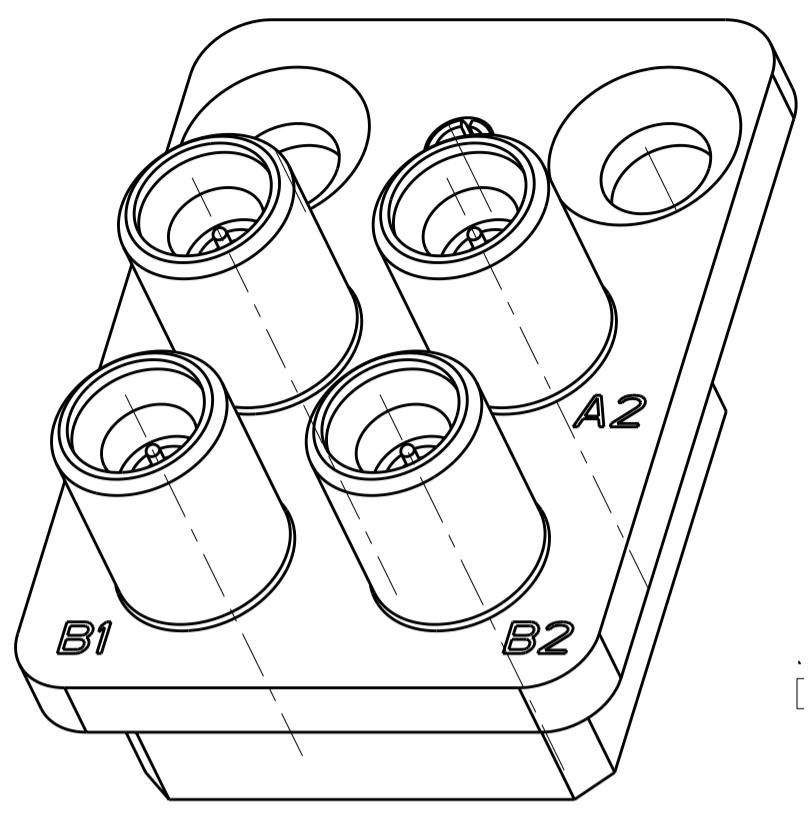


THIS DRAWING IS UNPUBLISHED. RELEASED FOR PUBLICATION 20  
 © COPYRIGHT 20 BY - ALL RIGHTS RESERVED.

REVISIONS					
P	LTR	DESCRIPTION	DATE	DWN	APVD
	H	RELEASED PER ECO 11-014579	7-25-11	CT	WM



NOTES:  
 1. MATERIAL:  
 SMOOTHBORE SMPM CONNECTOR BODY & CENTER CONTACT - BERYLIUM COPPER, ALLOY UNS C17300 CONDITION TDO4, PER ASTM B196.  
 INSULATORS - TEFLON (PTFE) ROD, PER ASTM D 1710.  
 MODULE BODY - STAINLESS STEEL, PER UNS S30300.  
 SLOTTED SPRING PIN - NICKEL STAINLESS STEEL

2. FINISH:  
 SMOOTHBORE SMPM CONNECTOR BODY & CENTER CONTACT - GOLD PLATE OVER NICKEL  
 MODULE BODY & SLOTTED PIN - PASSIVATED

1996884-1  
 PART NUMBER

THIS DRAWING IS A CONTROLLED DOCUMENT.		DWN S. T. Morley 24 JUL 2009	TE Connectivity	
DIMENSIONS: INCHES [mm]		CHK S. T. Morley 24 JUL 2009		
TOLERANCES UNLESS OTHERWISE SPECIFIED:		APVD S. T. Morley 24 JUL 2009	NAME 4 POSITION R.F. MODULE P.C.B. MOUNT - BACKPLANE VITA 67 3U	
0 PLC ±- 1 PLC ±.1 2 PLC ±.01 3 PLC ±.005 4 PLC ±.0010 ANGLES ±1.0° FINISH		PRODUCT SPEC -	SIZE A200779	DRAWING NO. C-1996884
MATERIAL		APPLICATION SPEC -	WEIGHT -	RESTRICTED TO -
CUSTOMER DRAWING			SCALE 6:1	SHEET 1 OF 1