

4

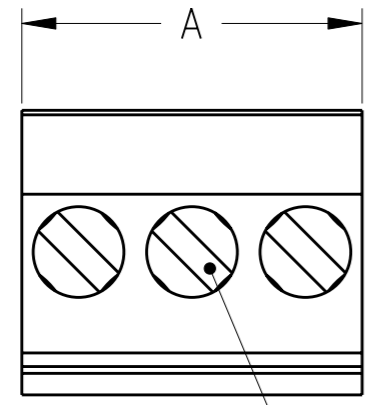
3

2

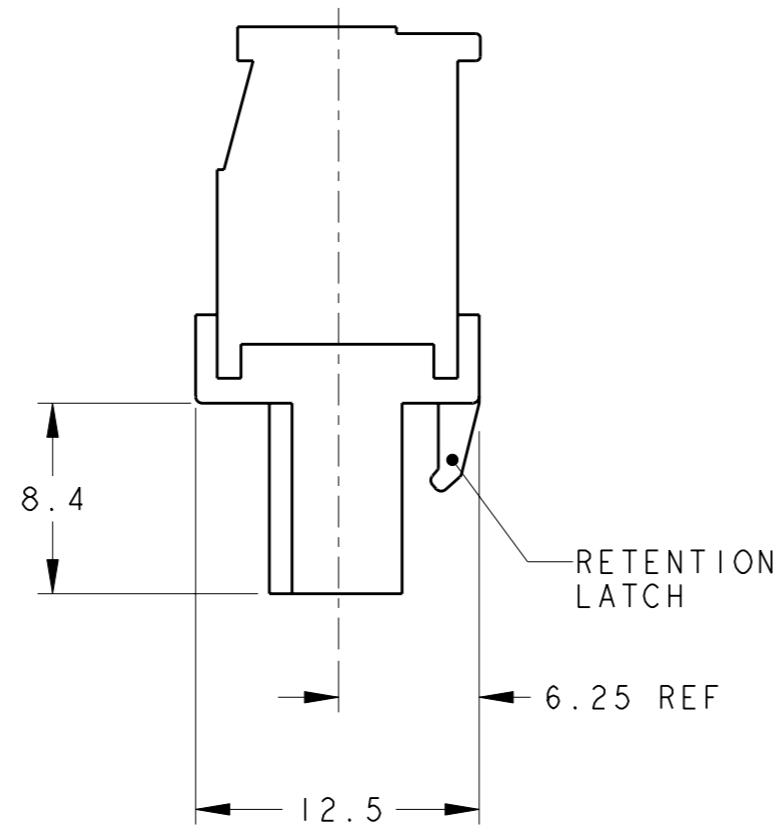
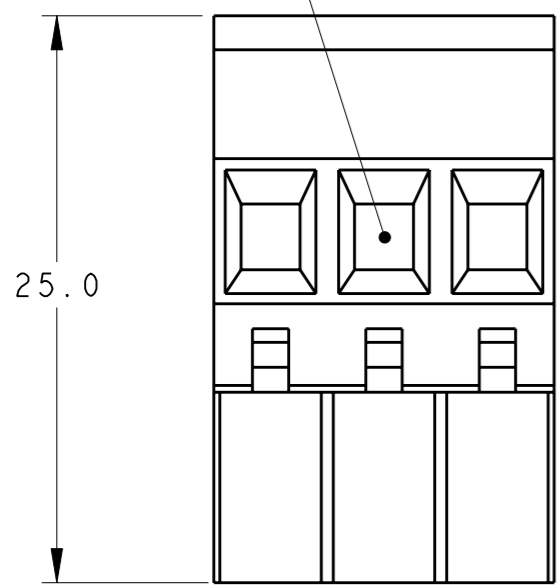
1

THIS DRAWING IS UNPUBLISHED. RELEASED FOR PUBLICATION 20  
 © COPYRIGHT 20 ALL RIGHTS RESERVED.

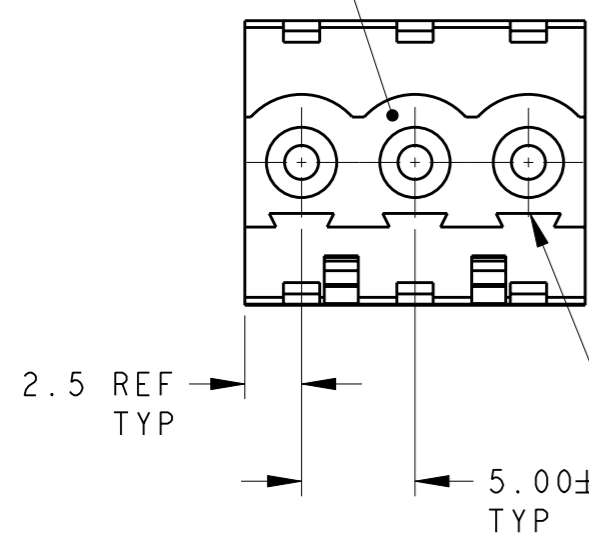
LOC	DIST	REVISIONS			
P	LTR	DESCRIPTION	DATE	DWN	APVD
FT	0	CI	REVISED PER ECO-11-005294	06APR2011	RK HMR



WIRE ENTRY CLAMPING SCREW



MATING FACE POLARIZATION KEY SLOT



SEE DETAIL N	TIN PLATED	30	6	3-284040-6
SEE DETAIL M		110	22	3-284040-2
-	△4	25	5	2-284040-6
-		125	25	2-284040-5
-		120	24	2-284040-4
-		115	23	2-284040-3
-		110	22	2-284040-2
-		105	21	2-284040-1
-		100	20	2-284040-0
-		95	19	1-284040-9
-		90	18	1-284040-8
-		85	17	1-284040-7
-		80	16	1-284040-6
-		75	15	1-284040-5
-		70	14	1-284040-4
-		65	13	1-284040-3
-		60	12	1-284040-2
-		55	11	1-284040-1
-		50	10	1-284040-0
-		45	9	284040-9
-		40	8	284040-8
-		35	7	284040-7
-		30	6	284040-6
-		25	5	284040-5
-		20	4	284040-4
-		15	3	284040-3
-		10	2	284040-2
MARKING	CONTACT FINISH	A	NO OF POSN	PART NUMBER

THIS DRAWING IS A CONTROLLED DOCUMENT.

DWN S. WELDON 03SEP2002  
 CHK C. RICHARD 03SEP2002  
 APVD C. RICHARD 03SEP2002

STE TE Connectivity

NAME: TERMINAL BLOCK VERTICAL PLUG STACKING LEFT HAND 5.0mm PITCH

PRODUCT SPEC: -  
 APPLICATION SPEC: -  
 WEIGHT: -

SIZE: A3 CAGE CODE: 00779 DRAWING NO: C-284040 RESTRICTED TO: -

MATERIAL: △1 FINISH: △1

CUSTOMER DRAWING SCALE: 3:1 SHEET 1 OF 2 REV: CI

4

3

2

1

THIS DRAWING IS UNPUBLISHED.

RELEASED FOR PUBLICATION

20

LOC

DIST

REVISIONS

© COPYRIGHT 20

ALL RIGHTS RESERVED.

FT

0

P

LTR

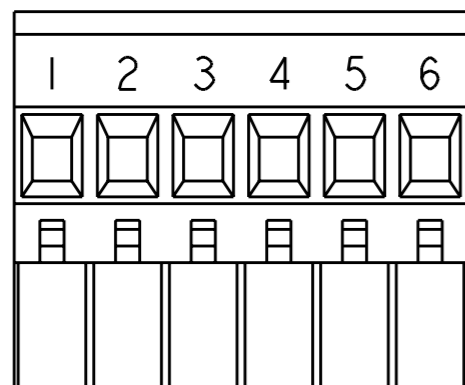
DESCRIPTION

DATE

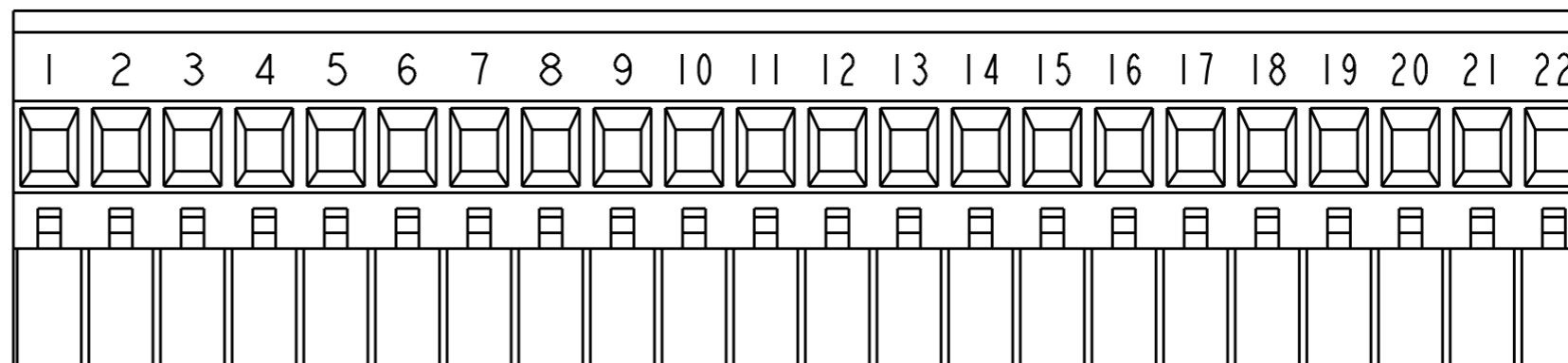
DWN

APVD

SEE SHEET 1



DETAIL N  
SCALE 2:1



DETAIL M  
SCALE 2:1



MATERIALS AND FINISH

HOUSING: PA 6-6, UL 94-V0, COLOR: GREEN.  
CLAMP: BRASS, NICKEL PLATED.  
CONTACT SPRING : PHOSPHOR BRONZE, TIN PLATED.  
CLAMPING SCREW: M3, BRASS, NICKEL PLATED.

2. WIRE SIZE RANGE: 12 - 30 AWG



NOT CUMULATIVE TOLERANCE.



0.00076[.000030] SELECTIVELY GOLD PLATED.

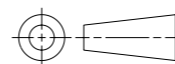


INK MARKING: WHITE COLOR  
NUMERICAL SEQUENCE: FROM LEFT TO RIGHT.

THIS DRAWING IS A CONTROLLED DOCUMENT.

DIMENSIONS:

mm



TOLERANCES UNLESS OTHERWISE SPECIFIED:

0 PLC	±.
1 PLC	±.3
2 PLC	±.25
3 PLC	±.
4 PLC	±.
ANGLES	±2

MATERIAL

-

FINISH

-

DWN S. WELDON 03SEP2002

CHK C. RICHARD 03SEP2002

APVD C. RICHARD 03SEP2002

PRODUCT SPEC

-

APPLICATION SPEC

-

WEIGHT

-



TE Connectivity

NAME

TERMINAL BLOCK VERTICAL PLUG  
STACKING LEFT HAND  
5.0mm PITCH

SIZE

A3

CAGE CODE

00779

DRAWING NO

C-284040

RESTRICTED TO

-

CUSTOMER DRAWING

SCALE 3:1

SHEET 2

OF 2

REV

C