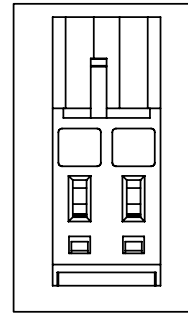
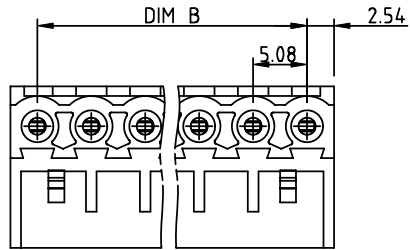
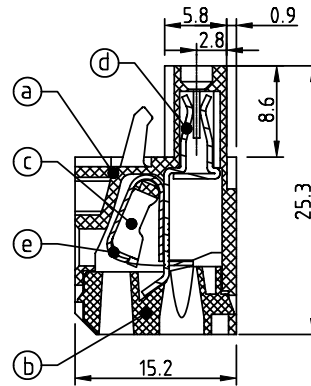
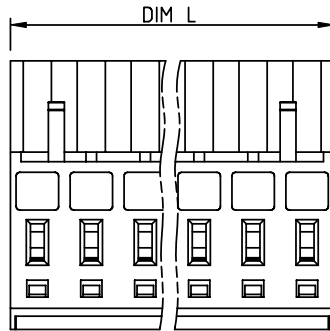


PRODUCT NUMBER	PITCH
HNxx50x000J0G	5.08 mm



2P mark



Material:

- Item① Terminal body: Thermoplastic (UL94V-0)
- Item② Terminal cover: Thermoplastic (UL94V-0)
- Item③ Insulating spacer: Thermoplastic (UL94V-0)
- Item④ Female contact: PhBz (CuSn) Tin plated
- Item⑤ Spring clamp: Stainless Steel

Electrical: cULus

- Voltage rating: 300VAC
- Current rating: 10A
- Wire range:
- Solid wire(AWG): 12-26
- Stranded wire(AWG): 14-26
- Wire strip length: 9-10mm
- Withstanding Voltage: 1.6KV
- Operating temperature: -40°C to +115°C
- Safety Approval:

DIMENSION

Dim L=N×5.08
Dim B=(N-1)×5.08

N=Number of poles

Poles	Tolerance
2P-6P	±0.15
7P-12P	±0.25
13P-18P	±0.35
19P-24P	±0.40

PART NO.: HN xx 50 x 0 00J0 G

	Solid block	No. of poles	Color	RoHS compliant (lead<4%) In copper Alloy
0	Black (RAL9005)			
02	2 poles	2	Red (RAL3001/D)	
03	3 poles	3	Orange(RAL2011/P)	
4	4 poles	4	Yellow(RAL1018/A)	
5	5 poles	5	Green(RAL6018/T)	
6	6 poles	6	Blue (RAL5015/A)	
8	8 poles	8	Grey(RAL7035/D)	
9	9 poles	9	White(RAL1102)	
C	Green(RAL6018/U)			

mat'l. code		surface ASME Y14.5	tolerance ASME Y14.5	projection	product family	
ltr ecn no dr date		tolerances unless otherwise specified			TERMINAL BLOCK	
angles		X.±0.5	X.X±0.3	MM	title	
X*±1"		X.XX±0.1		scale	TERMINAL BLOCK	
dr		EVIN ZHONG	051414		SPRING CLAMP, PLUGGABLE PLUG	
enr		EVIN ZHONG	051414		dwg no	sheet 1 of 1
chr		HANKE FENG	051414		HNxx50x000J0G	A4
appd		SHI JUN	051414	type	CUSTOMER Drawing	
sheet index	revision	A				
	sheet	1				