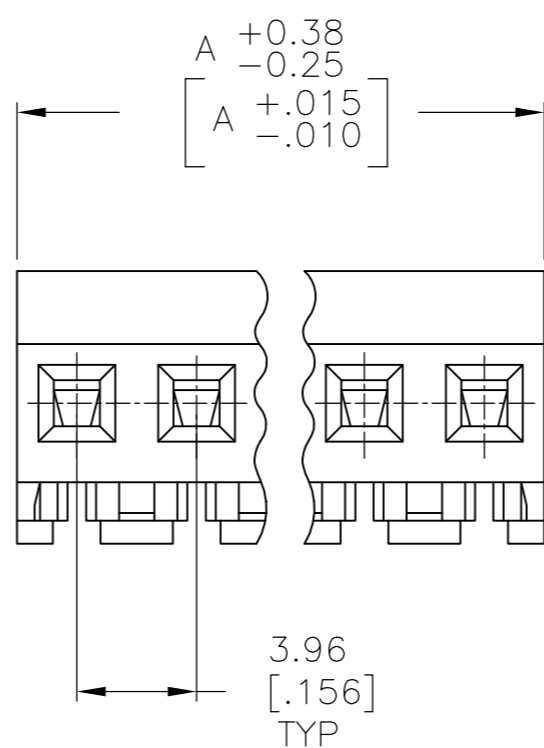
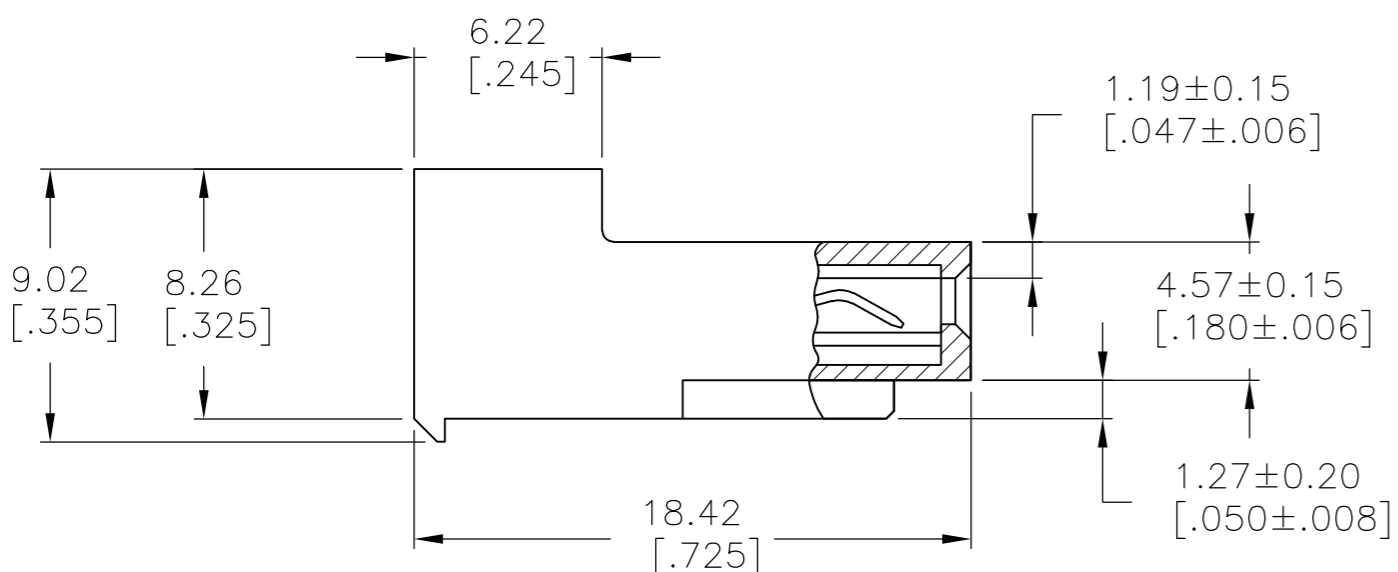
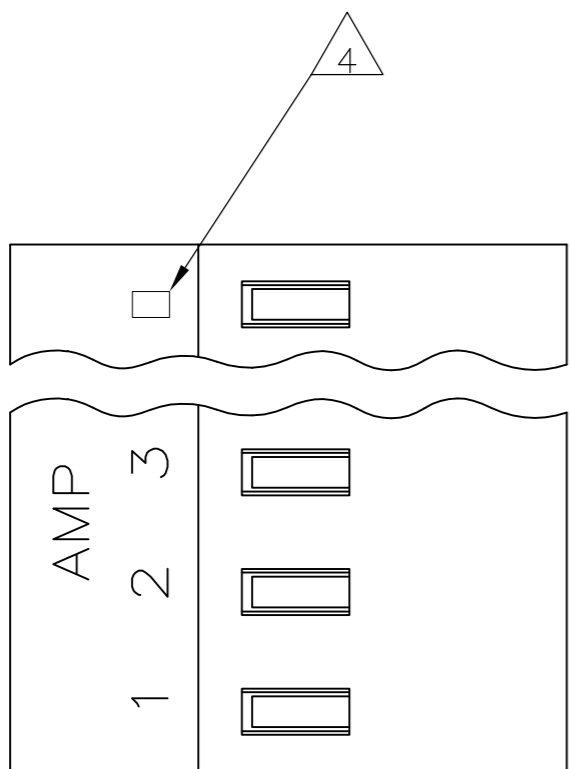


THIS DRAWING IS UNPUBLISHED. RELEASED FOR PUBLICATION
© COPYRIGHT - By - ALL RIGHTS RESERVED.

LOC		DIST		REVISIONS			
P	LTR	DESCRIPTION	DATE	DWN	APVD		
CM	00	U	REVISED PER ECO-12-007610	25JUL12	KH	SM	



1 MATERIAL: CONNECTOR - NYLON UL94V-2
 CONTACTS - 0.00076[.000030] GOLD THK OR 0.00008[.000003] MIN THK
 GOLD FLASH OVER 0.00068[.000027] THK PALLADIUM NICKEL,
 PER TE CONNECTIVITY'S DISCRETION, IN CONTACT
 AREA WITH BRIGHT TIN-LEAD FOR 641223-2
 THRU 2-641223-4, MATTE WHISKER MITIGATED
 TIN FOR 3-641223-2 THRU 5-641223-4
 OVER NICKEL UNDERPLATE.

2 CONTACTS ACCEPT 20 AWG WIRE WITH 2.41[.095] MAX
 INSULATION DIAMETER.

3 CONTACTS MUST ACCEPT 1.14±0.03 [.045±.001] SQUARE
 POST AND REMAIN LOCKED IN POSITION.

4 IDENTIFICATION NUMBER FOR LAST CIRCUIT MAY
 NOT APPEAR ON ALL ASSEMBLIES.

5 DIMENSIONS IN BRACKETS ARE IN INCHES.

6 HOUSING FEATURES ARE: CLOSED END WITHOUT
 LOCKING RAMP.

7 OBSOLETE PARTS: OBSOLETE CIS STREAMLINING PER D.RENAUD/D.SINISI

8 YELLOW COLOR STRIPE ON HOUSING (NOT SHOWN) MAY RUN DOWN BETWEEN RIBS.

DIM A		NO OF CIRCUITS	PART NO
95.10	[3.744]	24	5-641223-4
91.14	[3.588]	23	5-641223-3
87.17	[3.432]	22	5-641223-2
83.21	[3.276]	21	5-641223-1
79.25	[3.120]	20	5-641223-0
75.29	[2.964]	19	4-641223-9
71.32	[2.808]	18	4-641223-8
67.36	[2.652]	17	4-641223-7
63.40	[2.496]	16	4-641223-6
59.44	[2.340]	15	4-641223-5
55.47	[2.184]	14	4-641223-4
51.51	[2.028]	13	4-641223-3
47.55	[1.872]	12	4-641223-2
43.59	[1.716]	11	4-641223-1
39.62	[1.560]	10	4-641223-0
35.66	[1.404]	9	3-641223-9
31.70	[1.248]	8	3-641223-8
27.74	[1.092]	7	3-641223-7
23.77	[.936]	6	3-641223-6
19.81	[.780]	5	3-641223-5
15.85	[.624]	4	3-641223-4
11.89	[.468]	3	3-641223-3
7.92	[.312]	2	3-641223-2
7.92	[.312]	24	2-641223-4
91.14	[3.588]	23	2-641223-3
87.17	[3.432]	22	2-641223-2
83.21	[3.276]	21	2-641223-1
79.25	[3.120]	20	2-641223-0
75.29	[2.964]	19	1-641223-9
71.32	[2.808]	18	1-641223-8
67.36	[2.652]	17	1-641223-7
63.40	[2.496]	16	1-641223-6
59.44	[2.340]	15	1-641223-5
55.47	[2.184]	14	1-641223-4
51.51	[2.028]	13	1-641223-3
47.55	[1.872]	12	1-641223-2
43.59	[1.716]	11	1-641223-1
39.62	[1.560]	10	1-641223-0
35.66	[1.404]	9	641223-9
31.70	[1.248]	8	641223-8
27.74	[1.092]	7	641223-7
23.77	[.936]	6	641223-6
19.81	[.780]	5	641223-5
15.85	[.624]	4	641223-4
11.89	[.468]	3	641223-3
7.92	[.312]	2	641223-2

7	SUPERCEDED BY 5-641223-4	95.10	[3.744]	24	2-641223-4
7	SUPERCEDED BY 5-641223-3	91.14	[3.588]	23	2-641223-3
7	SUPERCEDED BY 5-641223-2	87.17	[3.432]	22	2-641223-2
7	SUPERCEDED BY 5-641223-1	83.21	[3.276]	21	2-641223-1
7	SUPERCEDED BY 5-641223-0	79.25	[3.120]	20	2-641223-0
7	SUPERCEDED BY 4-641223-9	75.29	[2.964]	19	1-641223-9
7	SUPERCEDED BY 4-641223-8	71.32	[2.808]	18	1-641223-8
7	SUPERCEDED BY 4-641223-7	67.36	[2.652]	17	1-641223-7
7	SUPERCEDED BY 4-641223-6	63.40	[2.496]	16	1-641223-6
7	SUPERCEDED BY 4-641223-4	59.44	[2.340]	15	1-641223-5
7	SUPERCEDED BY 4-641223-3	55.47	[2.184]	14	1-641223-4
7	SUPERCEDED BY 4-641223-3	51.51	[2.028]	13	1-641223-3
7	SUPERCEDED BY 4-641223-2	47.55	[1.872]	12	1-641223-2
7	SUPERCEDED BY 4-641223-0	43.59	[1.716]	11	1-641223-1
7	SUPERCEDED BY 3-641223-9	39.62	[1.560]	10	1-641223-0
7	SUPERCEDED BY 3-641223-9	35.66	[1.404]	9	641223-9
7	SUPERCEDED BY 3-641223-8	31.70	[1.248]	8	641223-8
7	SUPERCEDED BY 3-641223-7	27.74	[1.092]	7	641223-7
7	SUPERCEDED BY 3-641223-6	23.77	[.936]	6	641223-6
7	SUPERCEDED BY 3-641223-5	19.81	[.780]	5	641223-5
7	SUPERCEDED BY 3-641223-4	15.85	[.624]	4	641223-4
7	SUPERCEDED BY 3-641223-3	11.89	[.468]	3	641223-3
7	SUPERCEDED BY 3-641223-2	7.92	[.312]	2	641223-2

THIS DRAWING IS A CONTROLLED DOCUMENT.

DIMENSIONS: mm [INCHES] TOLERANCES UNLESS OTHERWISE SPECIFIED:

0 PLC	± -
1 PLC	± -
2 PLC	± -
3 PLC	± -
4 PLC	± -
ANGLES	± -

MATERIAL 1 FINISH 1

APVD: B. LEWIS 12 FEB 91, R. SWING 12 FEB 91, D. CLARK 20 FEB 91

PRODUCT SPEC: 108-1051, APPLICATION SPEC: 114-1020

WEIGHT: -

TE Connectivity logo and name.

MTA-156 CONNECTOR ASSEMBLY, 20 AWG, STANDARD

SIZE: A2, CAGE CODE: 00779, DRAWING NO: 641223, RESTRICTED TO: -

CUSTOMER DRAWING, SCALE: 4:1, SHEET: 1 of 1, REV: U

