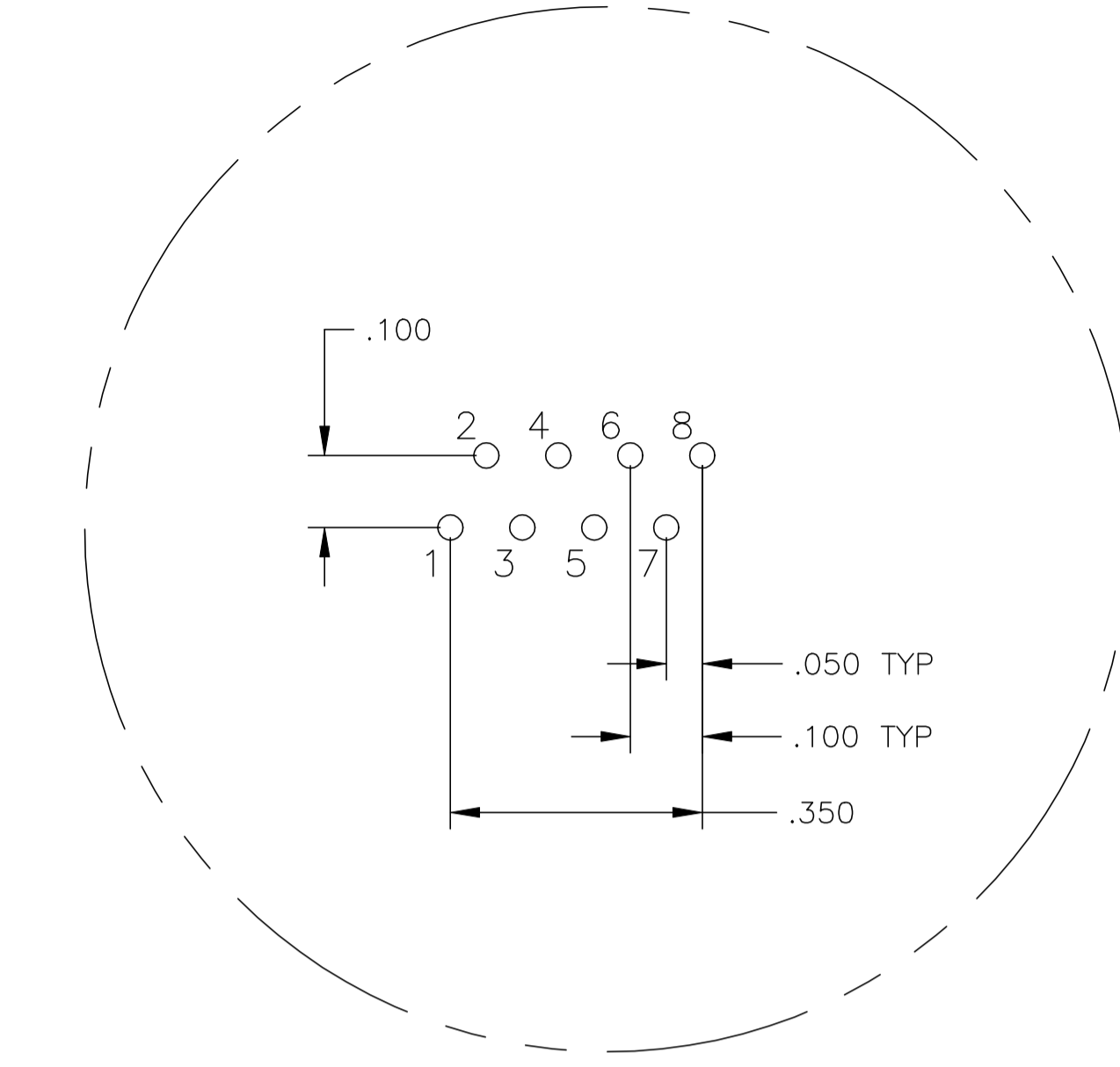
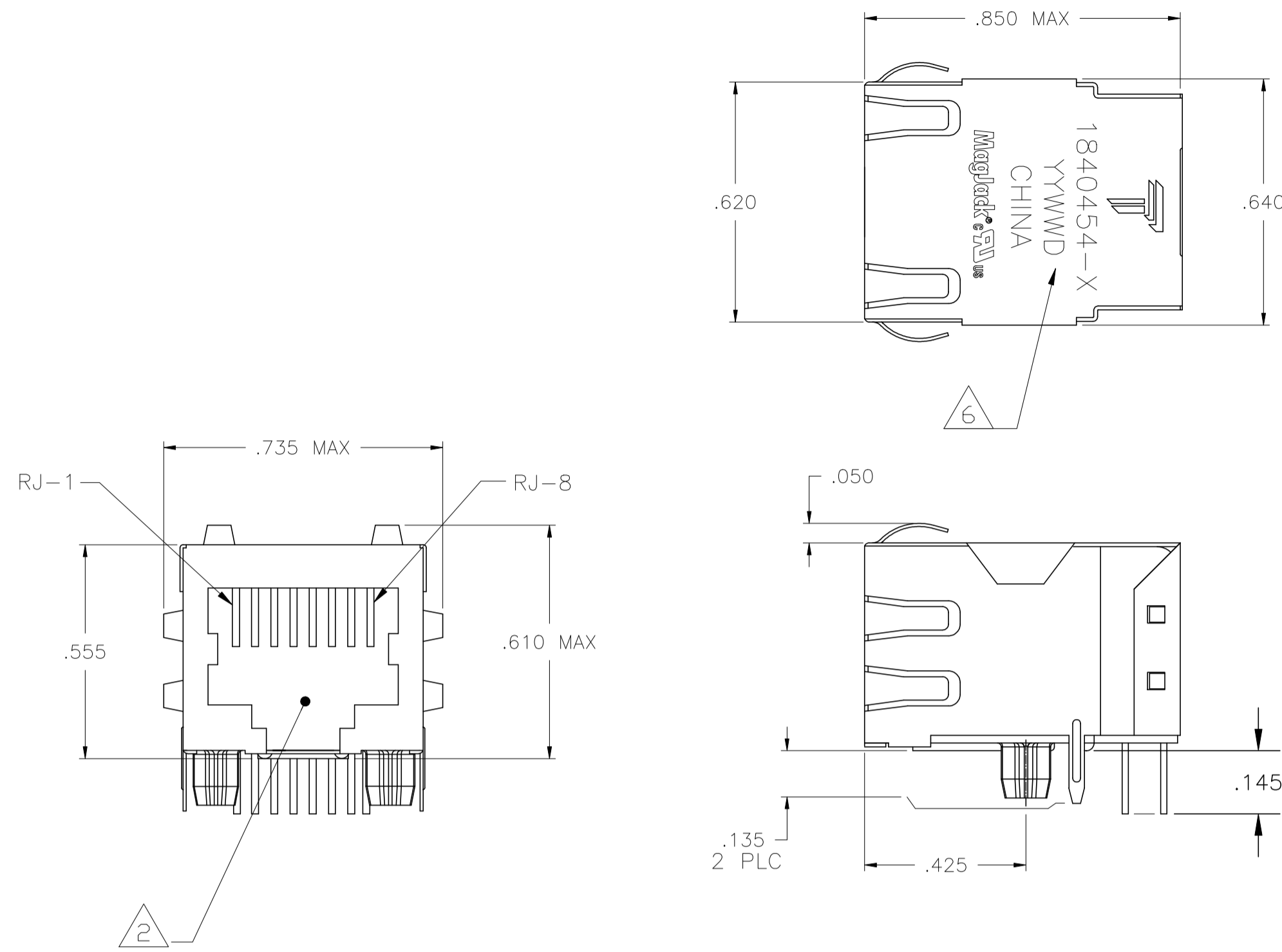


THIS DRAWING AND THE SUBJECT MATTER SHOWN THEREON ARE CONFIDENTIAL AND THE PROPERTY OF BEL/STEWART/TRP CONNECTOR AND SHALL NOT BE REPRODUCED, COPIED, OR USED IN ANY MANNER WITHOUT THE WRITTEN CONSENT OF TRP CONNECTOR.

PRODUCT MAY BE PROTECTED BY ONE OR MORE OF THE FOLLOWING US PATENTS:
 5736910 5939955 6425781 6428361 6554638 6840817 7123117
 7429195 7717749 7808751 6217391 6149050 7924130

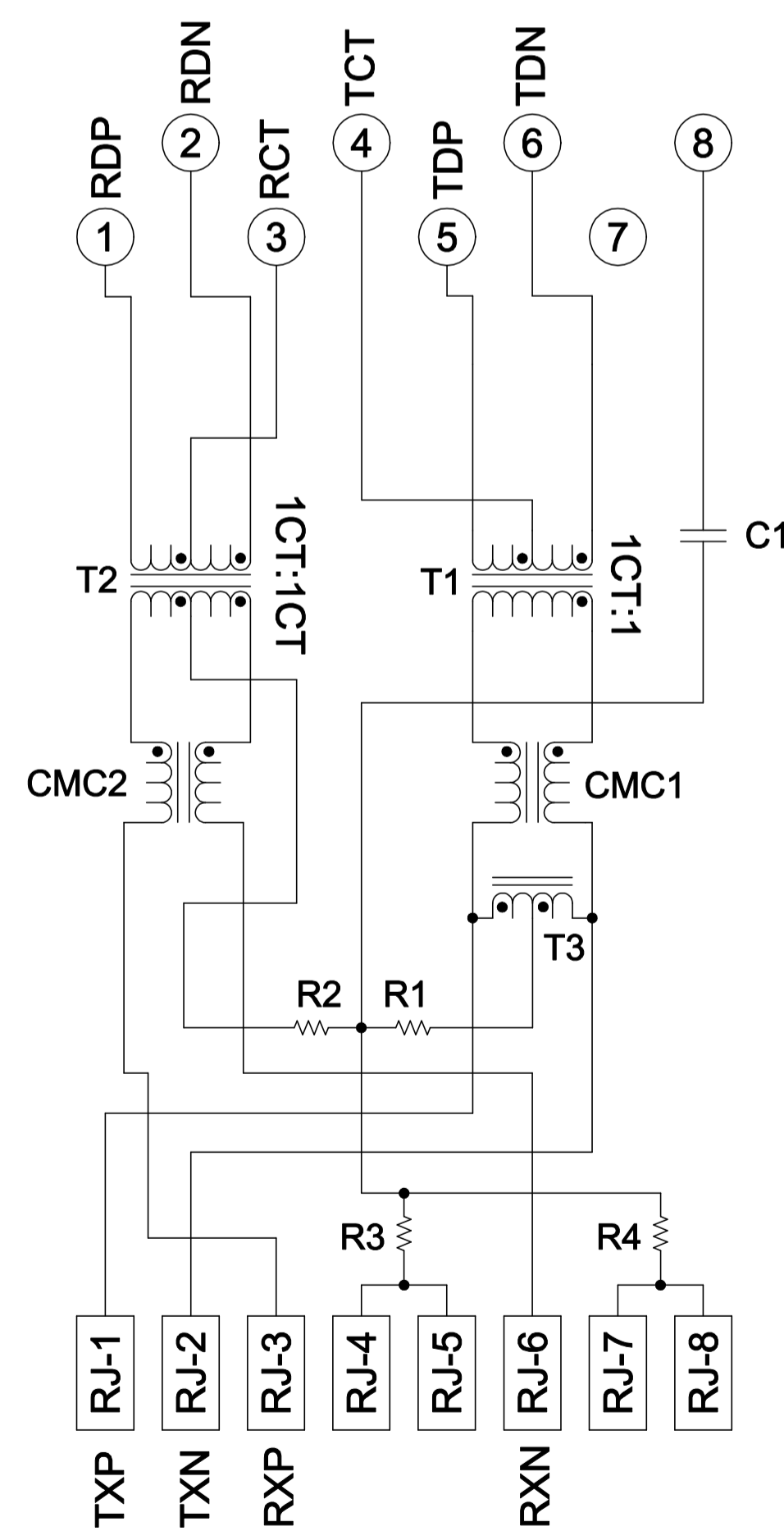
REVISIONS				
P	LYR	DESCRIPTION	DATE	OWN
C		EC-1411035 COMPANY LOGO CHANGE	13JAN2015	TL KZ

MECHANICAL:

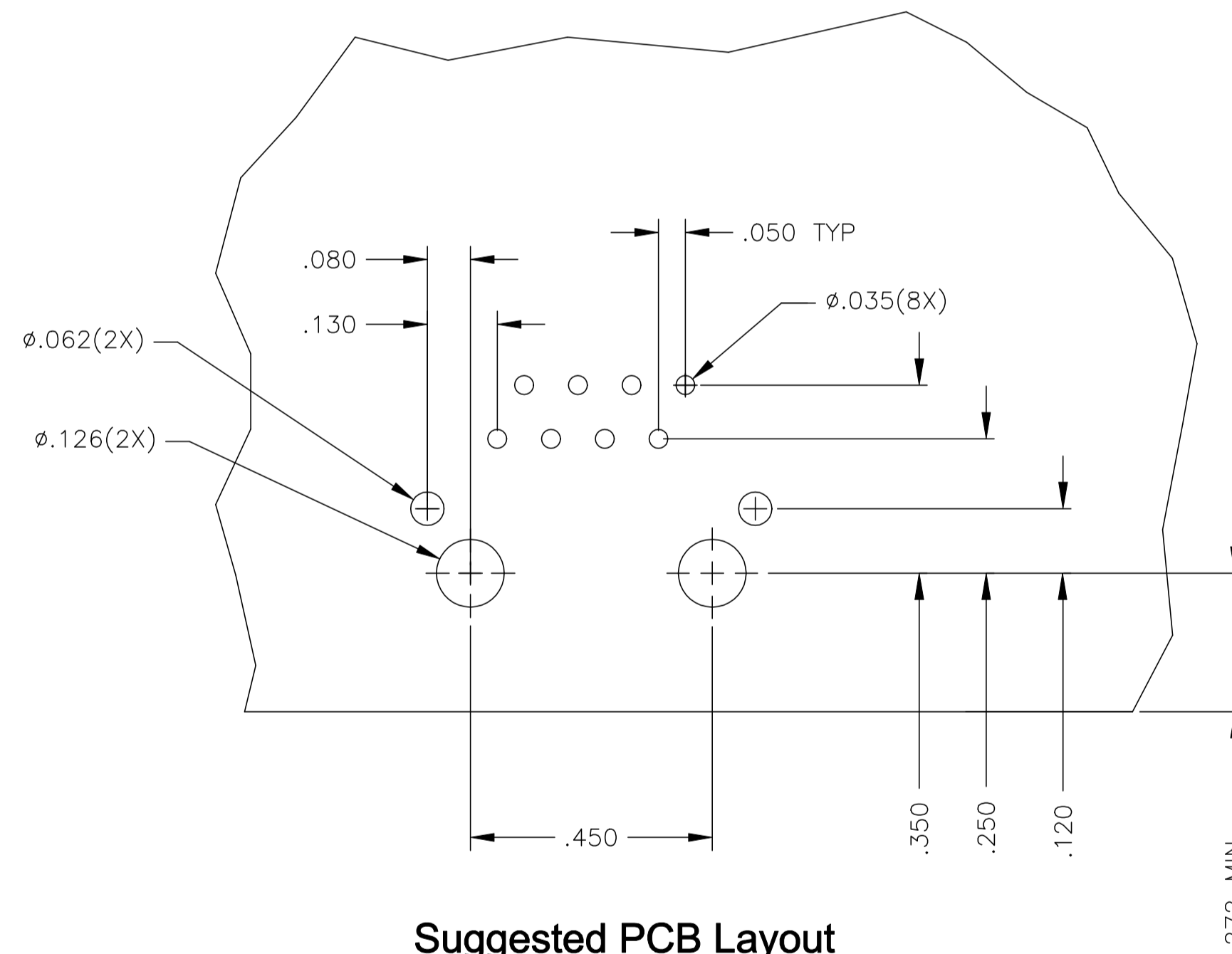


Pin Designations

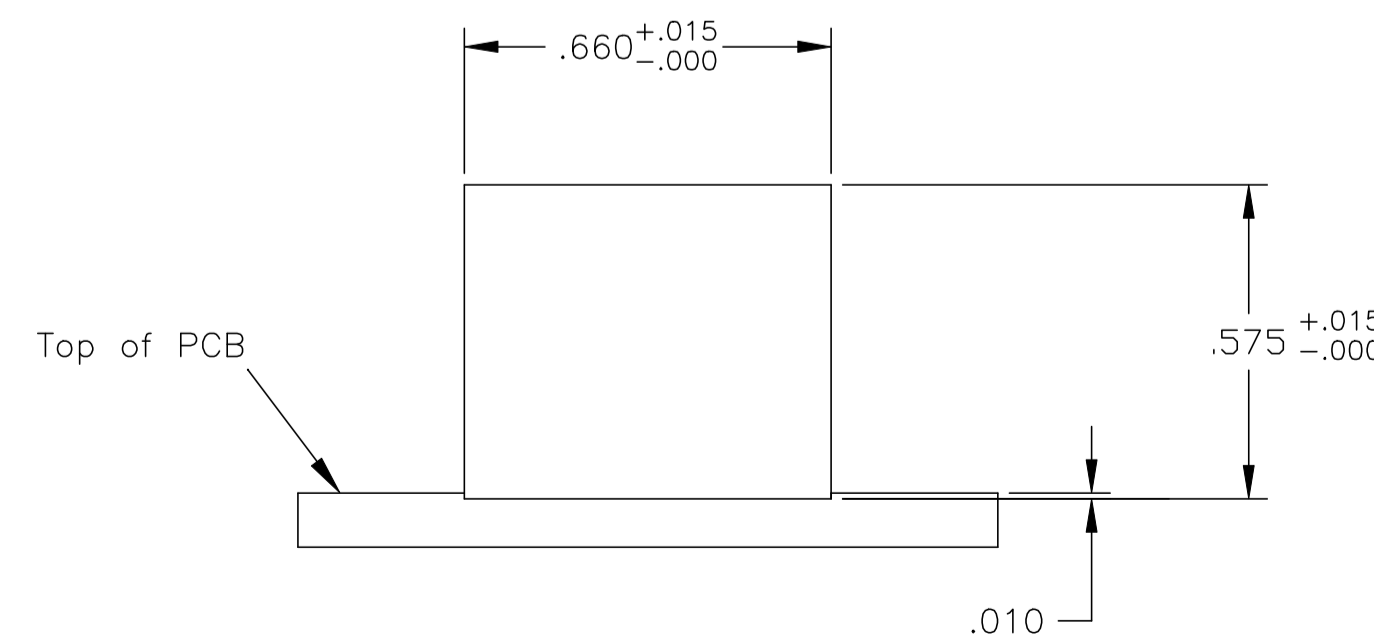
414 10/100 BASE-T CIRCUIT



C1 = 1000 pF, 2kV DECOUPLING CAPACITOR.
 R1-R4 = 75 OHMS, 1/16 W, RESISTORS.



**Suggested PCB Layout
(Component Side)**



Suggested Panel Cutout

NOTES:

- 1 MATERIALS:
 HOUSING - THERMOPLASTIC PET POLYESTER FLAMMABILITY RATING UL 94V-0.
 SHIELD - .010" THICK, C26800 BRASS PREPLATED WITH 30µinch MIN SEMI-BRIGHT NICKEL; SOLDER TABS POST-DIPPED WITH 100µinch MIN SAC SOLDER.
 MOD JACK CONTACTS - .0157" x .018", PHOSPHOR BRONZE, 50µinch MIN OVERALL NICKEL UNDERPLATE, WITH SELECT 50µinch MIN HARD GOLD FINISH PLATE. SOLDER TAILS WITH 100µinch MIN MATTE TIN AND/OR SAC SOLDER DIP.
- 2 RJ45 JACK CAVITY CONFORMS TO FCC RULES AND REGULATIONS PART 68, SUB PART F.
- 3 MAGNETICS:
 -APPLICATION: 10/100 BASE-T
 -IMPEDANCE: 100 OHMS
 -TURNS RATIO (CHIP:CABLE): TX = 1:1, RX = 1:1
 -OPEN CIRCUIT INDUCTANCE (OCL): 350µH MIN @100kHz, 0.1VRMS, 8mADC BIAS FROM 0°C TO 70°C, TX AND RX
 -PERFORMANCE @ 25°C:
 INSERTION LOSS (IL): 1.1dB MAX FROM 0.5MHz TO 100MHz
 RETURN LOSS (RL): 18dB MIN FROM 0.5MHz TO 30MHz
 18-20LOG(f/30)dB MIN FROM 30.1MHz TO 60MHz
 12dB MIN FROM 60.1MHz TO 80MHz
 CROSSTALK ATTENUATION: 35dB MIN FROM 0.5MHz TO 4.0MHz
 33-20LOG(f/50)dB MIN FROM 4.01MHz TO 100MHz
 COMMON MODE REJECTION RATIO (CMRR): 30dB MIN FROM 0.5MHz TO 100MHz
 -ISOLATION VOLTAGE: COMPLIES WITH IEEE802.3 2002, PARA 23.5.1.1, ITEM b.
4. OPERATING TEMPERATURE: FROM 0°C TO +70°C.
- 5 INDICATED CONNECTIONS ARE FOR NIC CONFIGURATION. THE MAGNETICS ARE ASYMMETRICAL, AND THEREFORE DO NOT SUPPORT AUTO-MDI/MDIX.
- 6 TRP CONNECTOR LOGO, PART NUMBER, DATE CODE, COUNTRY OF ORIGIN AND AGENCY APPROVAL MARKING IN APPROXIMATE LOCATION SHOWN.
7. THESE PARTS ARE RECOMMENDED FOR WAVE SOLDERING PROCESS, PEAK WAVE SOLDERING TEMPERATURE IS 265°C.

1840454-1
 PART NUMBER

THIS DRAWING IS A CONTROLLED DOCUMENT.		DWN RANDY QU 19NOV2007			DONGGUAN CHINA	
DIMENSIONS: INCHES		CHK KEITH ZHU 19NOV2007			DESC 1X1 414 10/100 TAB DOWN W/O LED	
TOLERANCES UNLESS OTHERWISE SPECIFIED:		APVD TEDDY XIONG 19NOV2007		MODEL NAME MAGJACK		RESTRICTED TO
0 PLC ± .010 1 PLC ± .010 2 PLC ± .010 3 PLC ± .010 4 PLC ± .010 ANGLES ± -		PRODUCT SPEC 108-2100		SIZE A1		SCALE NTS
APPLICATION SPEC -		CUSTOMER DRAWING		CAGE CODE DRAWING NO		1 OF 1
				©=1840454		REV C