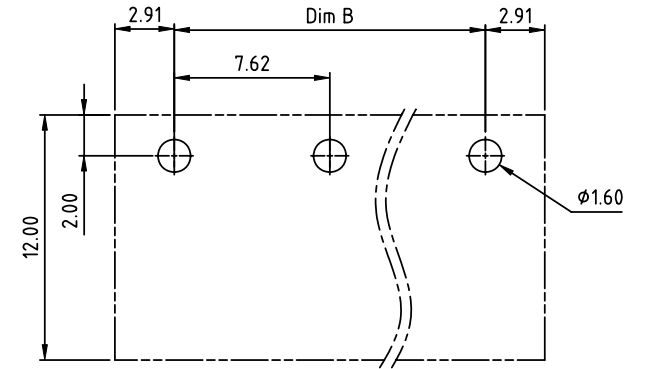
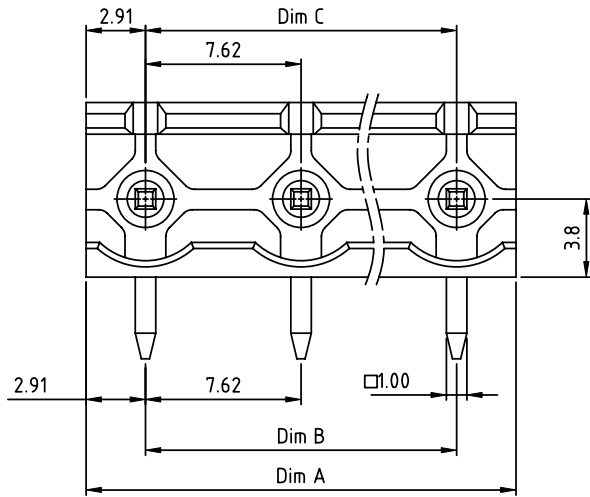
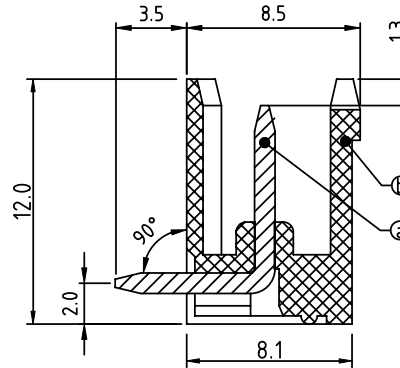
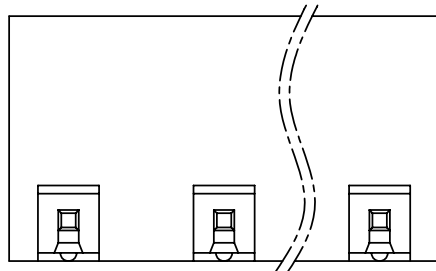


PRODUCT NUMBER	PITCH
OQxx00x100J0G	7.62 mm



RECOMMENDED P.C.B LAYOUT  
TOP VIEW



Material:

- Item (a) Male contact pin: Copper Tin plated
- Item (b) Terminal housing: Thermoplastic (UL94V-0)

- Electrical:
- |                          |                 |      |
|--------------------------|-----------------|------|
|                          | cULus           | TUV  |
| ● Voltage rating:        | 300V            | 750V |
| ● Current rating:        | 20A             | 15A  |
| ● Withstanding Voltage:  | 1.6 KV          | 6KV  |
| ● Operating temperature: | -40°C to +115°C |      |
| ● Soldering temperature: | 260°C±5°C/5 Sec |      |
| ● Safety Approval:       |                 |      |

DIMENSION

Dim A	(N-1)X7.62+5.82
Dim B&C	(N-1)X7.62

N= NUMBER OF POLES

Poles	Tolerance
2P-6P	±0.20
7P-12P	±0.30
13P-16P	±0.40

PART NO.: OQ xx 0 0 x 1 00J0 G

	Body Color	RoHS compliant
No. of poles	0 Black (RAL9005)	(lead<4%)
02 2 poles	2 Red (RAL3001/D)	In copper Alloy
03 3 poles	3 Orange(RAL2011/P)	
... ..	4 Yellow(RAL1018/A)	
16 16 poles	5 Green(RAL6018/T)	
	6 Blue (RAL5015/A)	
	8 Grey(RAL7035/D)	
	9 White(RAL1102)	
	C Green(RAL6018/U)	

mat'l. code		surface ASME Y14.5	tolerance ASME Y14.5	projection	product family
ltr	ecn no	dr	date		TERMINAL BLOCK
				MM	title
				scale	TERMINAL BLOCK
					PLUGGABLE SOCKET,OPEN,RIGHT ANGLE
					dwg no
					sheet 1 of 1
					size
					A4
					type
					CUSTOMER Drawing
sheet index	revision	A			
	sheet	1			