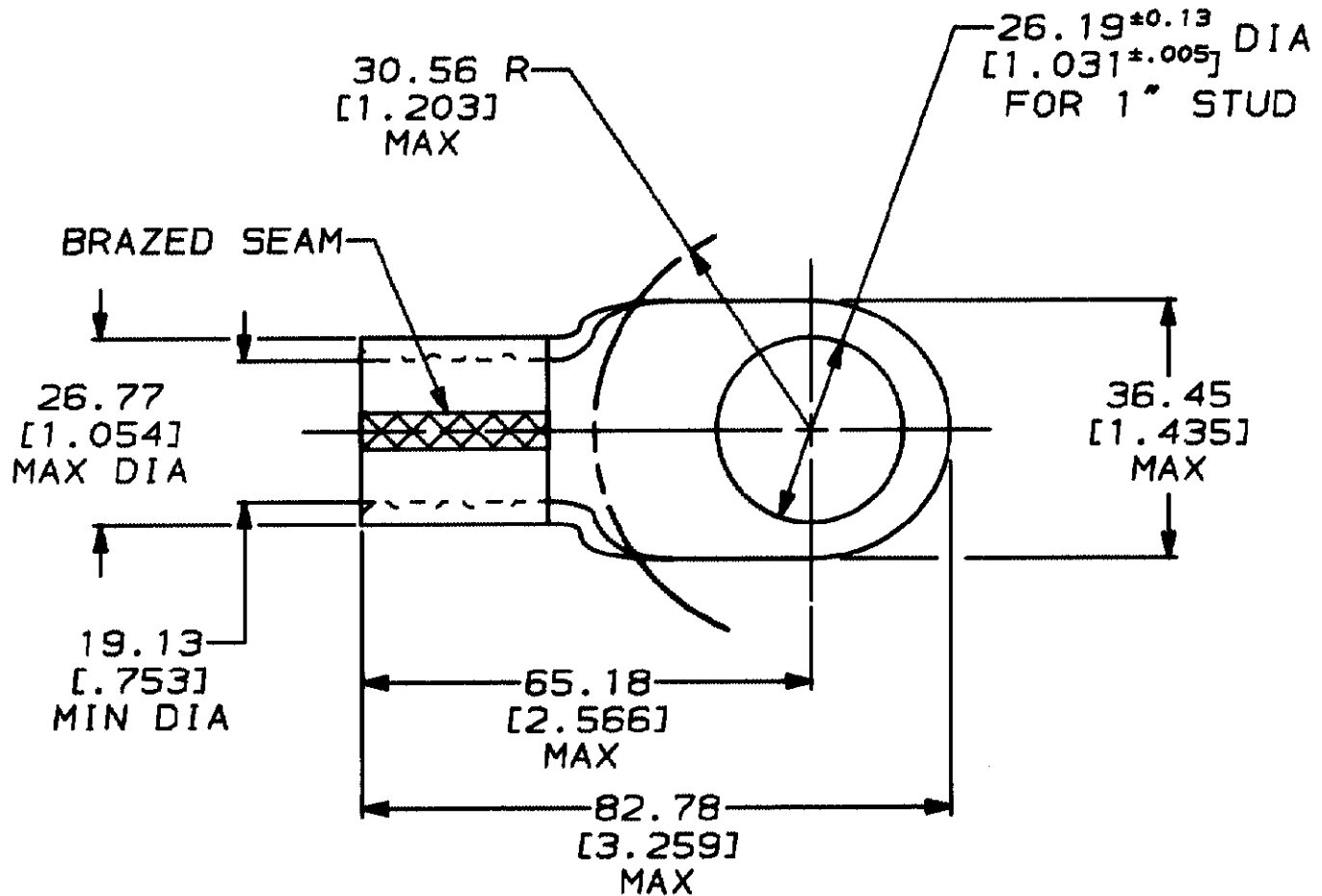


DRAWING MADE IN THIRD ANGLE PROJECTION

THIS DRAWING IS A CONTROLLED DOCUMENT FOR AMP INCORPORATED. IT IS SUBJECT TO CHANGE AND THE CONTROLLING ENGINEERING ORGANIZATION SHOULD BE CONTACTED FOR THE LATEST REVISION.

| LOC | DIST | P | F | LTR | DESCRIPTION                  | DATE    | APPROVED  |
|-----|------|---|---|-----|------------------------------|---------|-----------|
| G   | 14   |   |   | B   | REVISED & REDRAWN PER G-5803 | 6/12/92 | DKS / AJK |

THIS DRAWING IS UNPUBLISHED. RELEASED FOR PUBLICATION BY AMP INCORPORATED. ALL INTERNATIONAL RIGHTS RESERVED. © COPYRIGHT 19



|         |
|---------|
| 323034  |
| PART NO |

|  |                               |   |
|--|-------------------------------|---|
| DO NOT SCALE PRINT. UNLESS SPECIFIED DIMENSIONS IN mm [IN] TOLERANCES ON:<br>2 PLC DEC ± 0.20(.008)<br>3 PLC DEC ± -<br>ANGLES ± - | DR 6/12/92<br>DK SCHUM        | <b>AMP</b> AMP Incorporated<br>Harrisburg, PA 17105-3608                              |
|  | CHK 6/26/92<br>RD HEIN        |   |
| MATERIAL<br>COPPER ASTM B-152 ANNEALED   | APPD 6/26/92<br>AJ KAUFMAN    | NAME<br>TERMINAL, RING TONGUE, SOLISTRAND™<br>WIRE SIZE: 127.0-152.0mm² [250-300] MCM |
|  | APPD 6/26/92<br>CR RHODES     | SIZE<br><b>A</b>  |
| FINISH<br>TIN PLATE<br>0.00254[.000100] MIN THK PER MIL-T-10727  | PRODUCT SPEC<br>-             | CAGE CODE<br>00779  |
| APPLICATION SPEC<br>-  | DRAWING NO<br><b>C-323034</b> | SCALE<br>1:1  |
| WEIGHT<br>-  | SHEET<br>1 OF 1               |   |