

FILE NO.

C-CD-203-01

REV A ADDED 8X, 10X TO CHART UNDER PART# C-2105 1/31/88

NOTES:

① MAT'L: COPPER (STOCK THK. 040) ^{±.001}

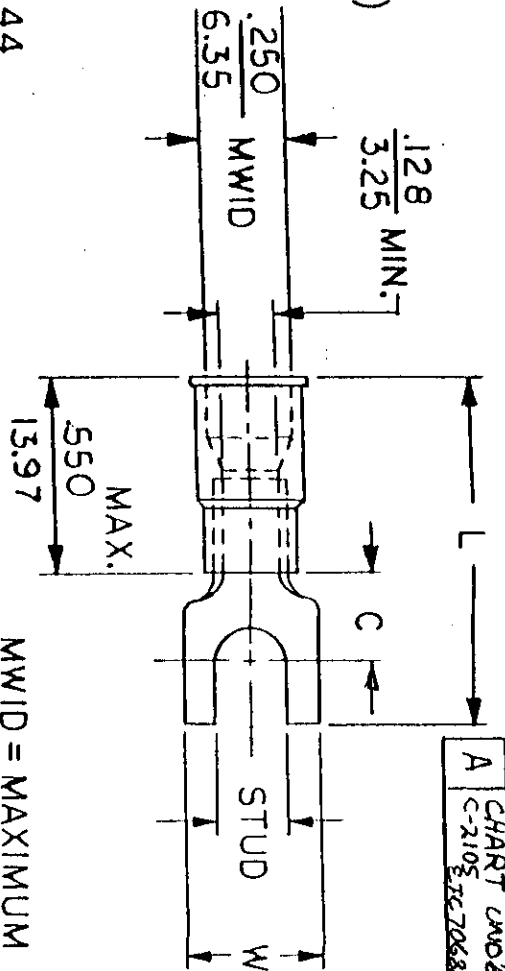
PLATING: ELECTRO-TIN (.0003 MIN.)

② INSULATION: MOLDED PVC (YELLOW)

STUD SIZES: (±.005)

- 02 = .094
- 04 = .119
- 06 = .146
- 08 = .173
- 10 = .198
- 14 = .265
- 56 = .328
- 38 = .390

"UL" LISTING #E32244
 "CSA" LISTING #18689



ALL DIMENSIONS = INCHES ^{M/M}

MWID = MAXIMUM WIRE INSULATION DIAMETER
 WIRE SIZE: 12-10AWG
 40-60MM²

PART NUMBER	"W" ±.010	"C" MIN.	"L" MAX.	AVAILABLE STUD SIZES
C-2102-	$\frac{415}{10.54}$	$\frac{305}{7.75}$	$\frac{1.075}{27.31}$	08X
C-2105-	$\frac{320}{8.13}$	$\frac{305}{7.75}$	$\frac{1.075}{27.31}$	06X, 08X, 10X

DIMENSIONAL TOLERANCES UNLESS OTHERWISE SPECIFIED		REFERENCE	SCALE: NTS	DATE: 10-31-84	TITLE: SPADE TONGUE TERMINAL
FRAC.	DEC.	ANG.	DRWN. BY: JJ	CHKD. BY: GA	INSULKRIMP 200-SERIES
±	±	±	APPRD. BY:		



DWG. A CUSTOMER DWG.