

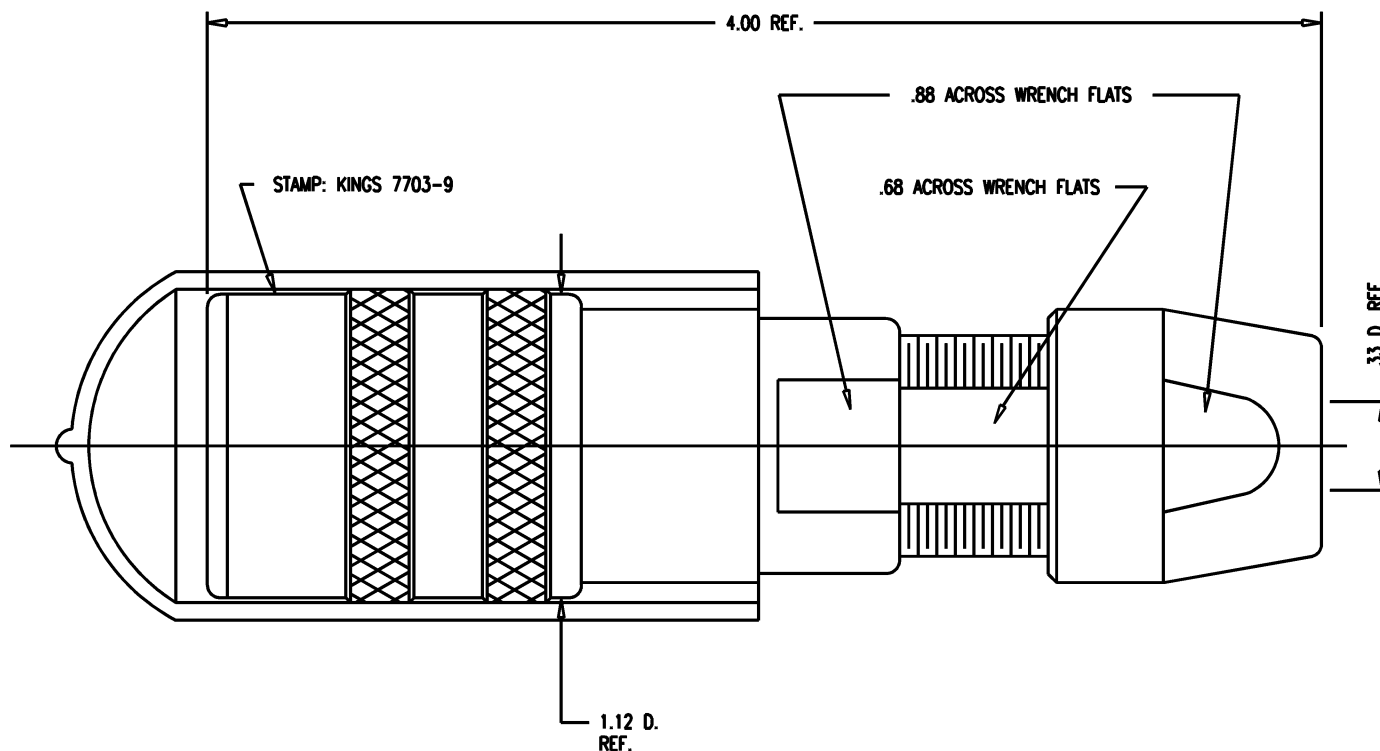
DASH NO.	M CODE	MADE FROM
----------	--------	-----------

GSD

7703-9

REVISIONS

ISSUE	CHANGES
0	ER 37271 KH 02/27/97



NOTES:

- FOR USE WITH 760 CABLE GROUP.
- FOR CABLING INSTRUCTIONS SEE KAI-8010.
- FOR CRIMPING USE KTH-1000 AND KTH-2002.
- MATERIALS:
 INSULATORS: TEFLON, ASTM-D-4894
 GASKETS: SILICONE RUBBER, ZZ-R-765
 CAP: VINYL
 K-GRIP SLEEVE: COM'L BRONZE, ASTM-B-135
 CENTER CONTACT
 OUTER CONTACT SPRING } BER. COPPER, ASTM-B-196
 INSERT
 ALL OTHER METAL PARTS: BRASS, ASTM-B16

- FINISHES:
 CENTER CONTACT } GOLD PLATE PER MIL-G-45204
 OUTER CONTACT SPRING }
 NUTS }
 COLLET } KINGS TARNISH RESISTANT NICKEL FINISH (TR-5)
 BODIES }
 ALL OTHER METAL PARTS: SILVER PLATE PER QQ-S-365
- ELECTRICAL CHARACTERISTICS:
 NOMINAL IMPEDANCE: 75 OHMS
 FREQUENCY RANGE: DC-500 MHZ
 VOLTAGE BREAKDOWN: CENTER CONDUCTOR/INNER GROUND: 1500 VRMS
 INNER GROUND/OUTER GROUND: 500 VRMS

7703-9SD

SCALE 2:1

APPROX SURFACE AREA

USED ON

REF: KP-8020-760-400

JK, TRI-LOC,
SERIAL DIGITAL

DRAWN KH DATE 02/27/97

DESIGN LJ DATE 02/28/97

APPR. FH DATE 02/28/97

KINGS
ELECTRONICS CO., INC.
TUCKAHOE, NEW YORK 10707

GSD

7703-9