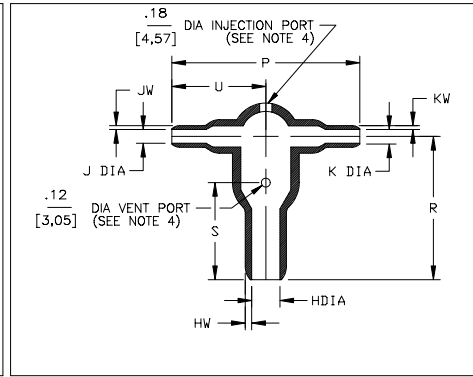
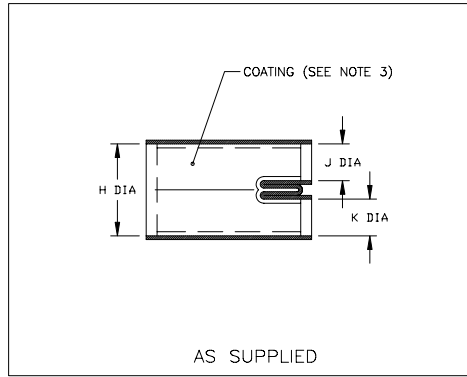


Molded Parts Specification Control Drawing

Part Number : 302A012 thru 037
Description : Transition, T

NOTES

- All dimensions are in $\frac{\text{inches}}{\text{[millimeters]}}$
- Dimensions appearing in table are as follows:
 - a - As Supplied
 - b - After Unrestricted Recovery
- Coating is optional. As supplied dimensions appearing in table are for uncoated parts. When coating is added, entry diameters will be reduced by .06 max.
- Molding ports are optional. When -00 modification number is specified molding ports will be located as shown.



| PART NUMBER | H | | J & K | | P | R | S | U | HW | JW & KW | C° |
|-------------|----------------|----------------|----------------|---------------|-----------------|-----------------|----------------|----------------|--------------|--------------|-----|
| | Min | Max | Min | Max | ±10% | ±10% | ±10% | ±10% | ±20% | ±20% | ±5° |
| | a | b | a | b | b | b | b | b | b | b | b |
| 302A012 | .52 [13,2] | .24 [6,1] | .26 [6,6] | .12 [3,0] | 1.41 [35,8] | 1.04 [26,4] | .72 [18,3] | .70 [17,8] | .06 [1,5] | .04 [1,0] | 90° |
| 302A024 | 1.06 [26,9] | .49 [12,4] | .52 [13,2] | .24 [6,1] | 2.64 [67,1] | 2.14 [54,4] | 1.32 [33,5] | 1.32 [33,5] | .10 [2,5] | .06 [1,5] | 90° |
| 302A037 | 2.19 [55,6] | 1.00 [25,4] | 1.06 [26,9] | .49 [12,4] | 5.73 [145,5] | 4.44 [112,8] | 3.10 [78,7] | 2.86 [72,6] | .18 [4,6] | .10 [2,5] | 90° |



TYCO ELECTRONICS
307 CONSTITUTION DRIVE
MENLO PARK, CALIFORNIA 94025

Revision : L
Date : 11/2/01

Part Number : 302A012 thru 037
Description : Transition, T

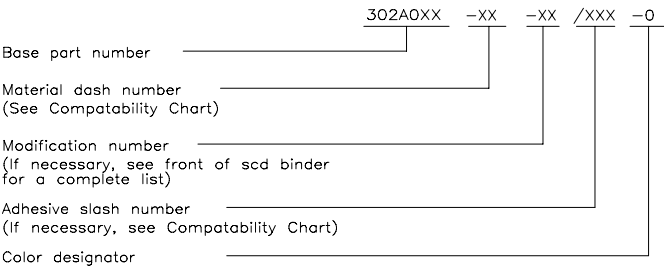
Molded Parts Specification Control Drawing

Part Number : 302A012 thru 037
Description : Transition, T

| MATERIAL DASH NO. | MATERIAL DESCRIPTION | RT SPEC | COATING SLASH NO. | COATING S NO. | COATING DESCRIPTION |
|-------------------|------------------------------------|---------|-------------------|---------------|---------------------|
| -3 | Polyolefin, Semi-rigid | RT-301 | /42;/86 | S-1017;S-1048 | Adhesive |
| -4 | Polyolefin, Flexible | RT-1304 | /42;/86 | S-1017;S-1048 | Adhesive |
| -5 | Elastomer, Flexible | RT-501 | N/A | | |
| -6 | Silicone | RT-602 | N/A | | |
| -12 | *VITON, Flexible | RT-1312 | N/A | | |
| -25 | Elastomer, Fluid Resistant | RT-1325 | /86;/225 | S-1048;S-1206 | Adhesive |
| -52 | Polyolefin, Nuclear | RT-1508 | N/A | | |
| -100 | Polyolefin, Semi-Flexible ZEROHAL™ | RT-1323 | /86 | S-1048 | Adhesive |

*VITON is a Registered Trademark of Dupont

ORDERING INFORMATION



THIS DRAWING IS SUBJECT TO CHANGE WITHOUT NOTICE; CONSULT YOUR NEAREST FIELD REPRESENTATIVE FOR CURRENT REVISION

If this document is printed it becomes uncontrolled.
Check for the latest revision.



TYCO ELECTRONICS
307 CONSTITUTION DRIVE
MENLO PARK, CALIFORNIA 94025

Revision : L
Date : 11/2/01

Part Number : 302A012 thru 037
Description : Transition, T