

- For Detailed LED Data, See Discrete Section, Model 200

<b>1</b>	<b>Model</b>	<b>Wires</b>
	P81 P84	W (optional)

### TO ORDER, FOLLOW THE EXAMPLE:

Select one **BOLD** component from each numbered category in the tables below.

<b>1</b>	<b>Model</b>	<b>2</b>	<b>LED</b>	<b>3</b>	<b>Voltage</b>	<b>4</b>	<b>Lens</b>
	P81		-G		24		-CG

→Part Number **P81-G24-CG**

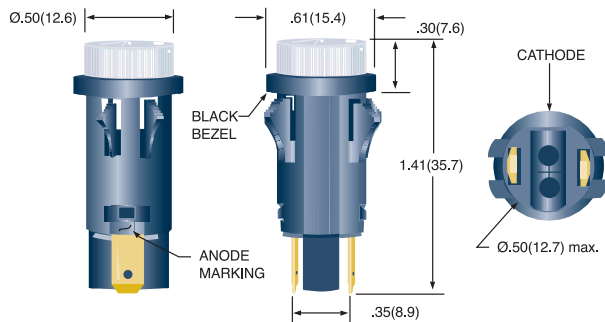
### HIGH INTENSITY - WATERCLEAR ENCAPSULATION

<b>2</b>	<b>LED</b>	<b>Color</b>	<b>λpk (nm)</b>	<b>Iv<sup>[1]</sup> (mcd)</b>	<b>Viewing Angle</b>	<b>V/C Table<sup>[3]</sup></b>
	-R	RED	634	5300	30	I
	-O	ORG	605	2000	30	I
	-A	AMB	592	5300	30	I
	-G	GRN	520	2400	45	II
	-B	BLU	465	700	45	II
	-W	WHT	[2]	1560	50	II

Voltage/Current	
Design Vf/If	Max Vf/If
<b>V/C Table I</b>	
5V/27mA	5.5V/40mA
6V/26mA	7V/33mA
12V/27mA	14V/35mA
15V/24mA	16.5V/28mA
24V/17mA	26V/20mA
28V/16.5mA	30V/18mA
48V/15mA	50V/16mA
60V/9mA	65V/10mA
120VAC/3.5mA	130VAC/4mA

<b>3</b>	<b>Voltage<sup>[4]</sup></b>
	5H
	6H
	12H
	15H
	24H
	28H
	48H
	60H
	120

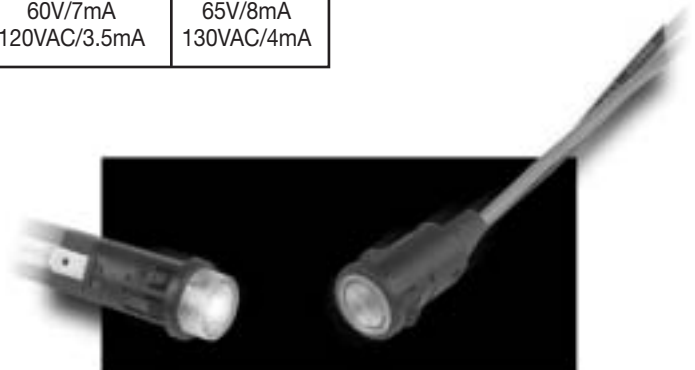
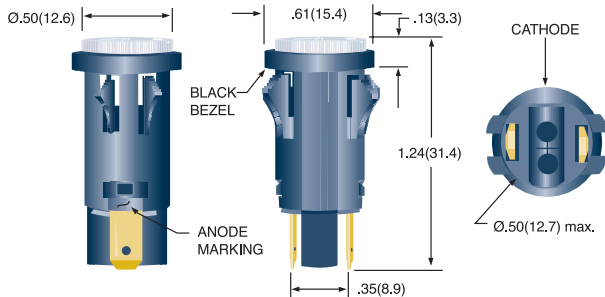
### P81



Voltage/Current	
Design Vf/If	Max Vf/If
<b>V/C Table II</b>	
5V/15mA	6V/26mA
6V/15mA	7V/25mA
12V/15mA	14V/20mA
15V/15mA	16.5V/18mA
24V/15mA	26V/18mA
28V/15mA	30V/17mA
48V/9.5mA	50V/10mA
60V/7mA	65V/8mA
120VAC/3.5mA	130VAC/4mA

<b>4</b>	<b>Lens</b>
-CR	Red
-CA	Amber
-CG	Green
-CB	Blue
-CW	Water Clear

### P84



[1] Iv = typical luminous intensity @ If = 20mA (Ta=25°C). Iv is measured without lenses.

[2] White is identified by one of four CIE coordinates x:0.290/y:0.260, x:0.290/y:0.305, x:0.330/y:0.365, x:0.330/y:0.320

[3] See Voltage/Current table for design specifications.

[4] Ta = 25°C. Voltages 5H through 60H are VDC. For AC operation, insert D after Voltage (e.g 24HD), D indicates built-in rectifier; not required for 15H or less, or 120VAC. DC operation not available for 120V.

### Standard Wire Leads:

6.0" total length(nominal)/.50" stripped (nominal), red anode/black cathode, 18 AWG TPB UL1015 insulation. Contact factory for other lengths, gauges and colors.

### All dimensions are in inches (mm)

Tolerances: .xx"(.x) ±.025"(.63) / .xxx"(.xx)±.010"(.25)  
Specifications are subject to change without notice.