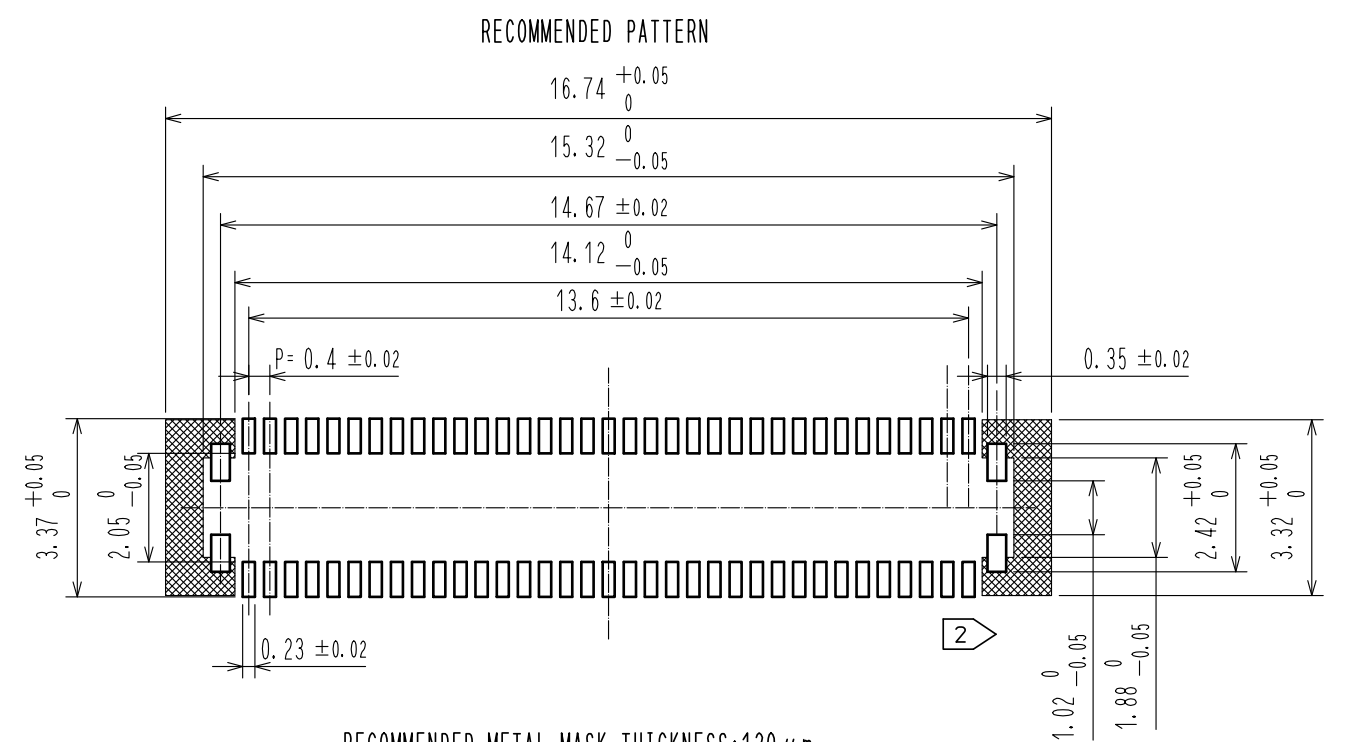
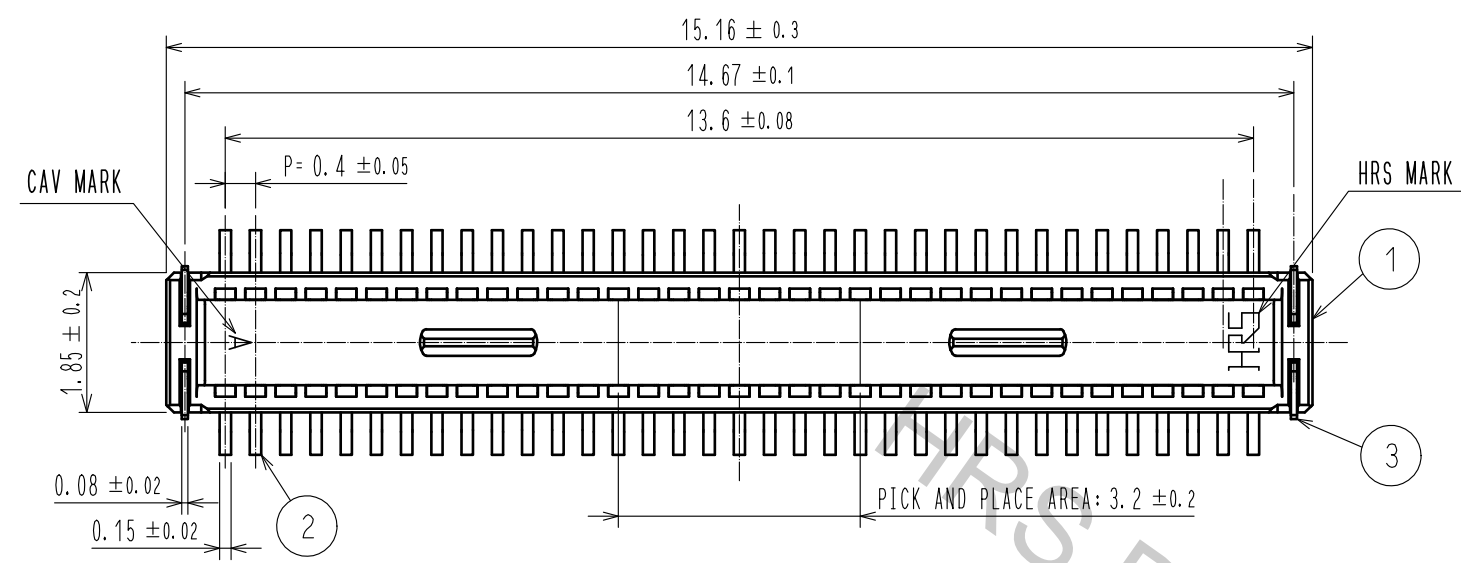
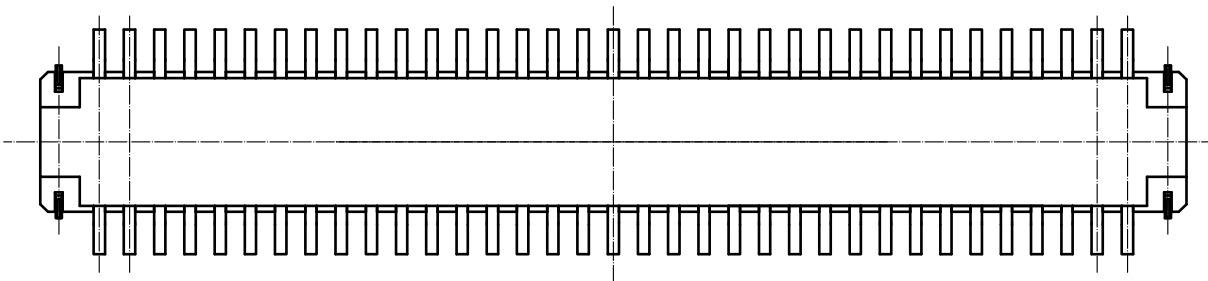
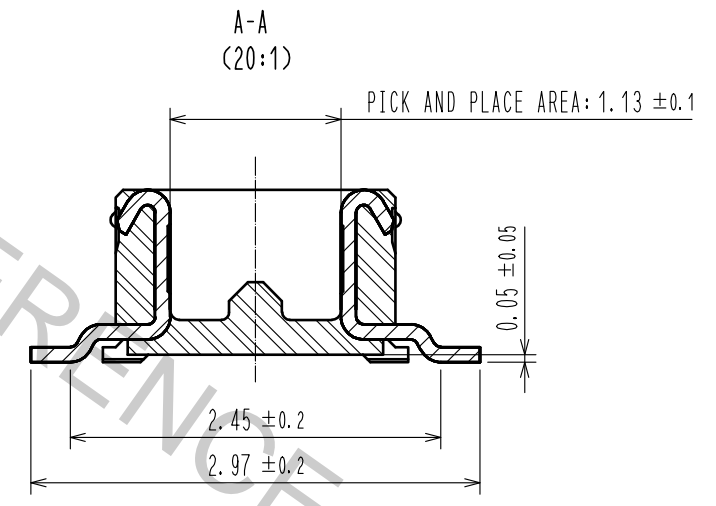
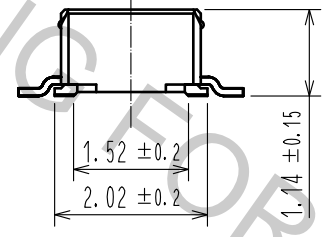
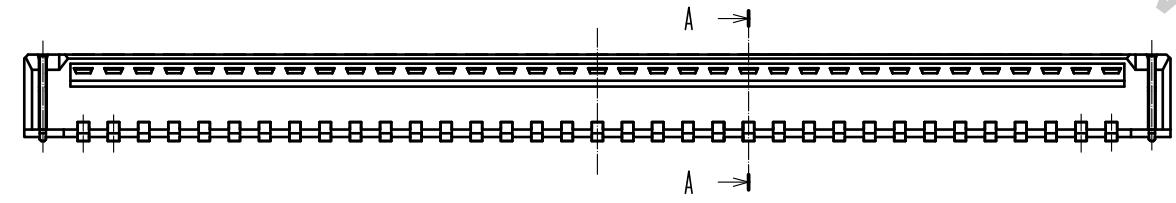


Apr.1.2017 Copyright 2017 HIROSE ELECTRIC CO., LTD. All Rights Reserved.



RECOMMENDED METAL MASK THICKNESS: 120 μm
 RECOMMENDED MASK OPENING RATIO: 80% FOR LEAD PAD



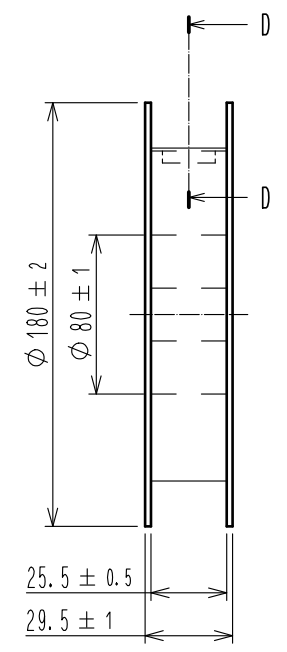
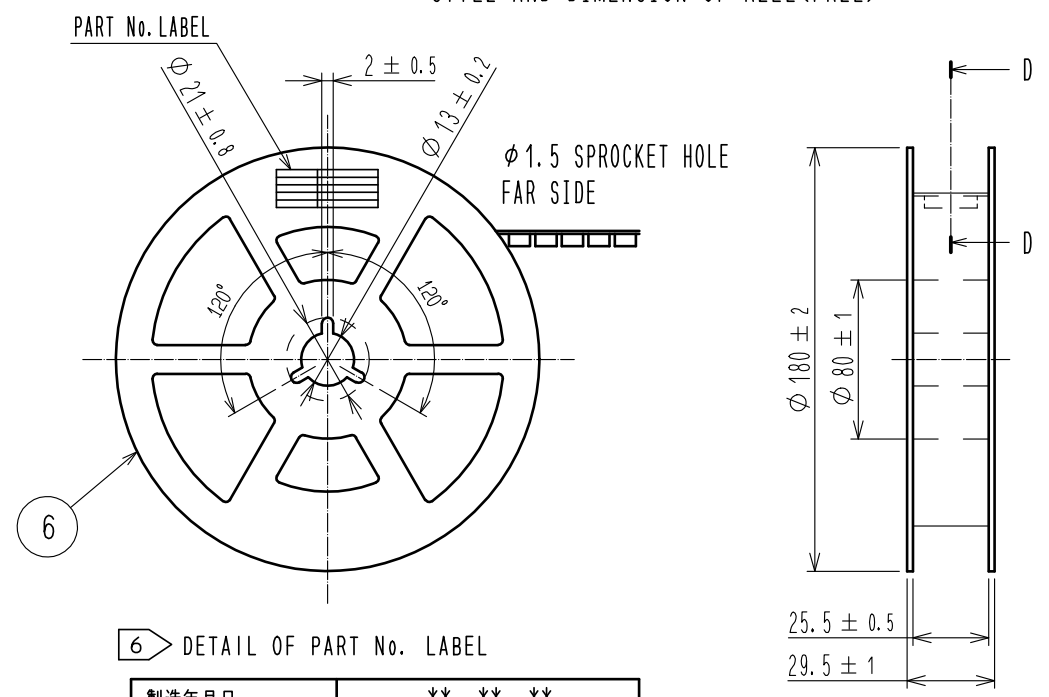
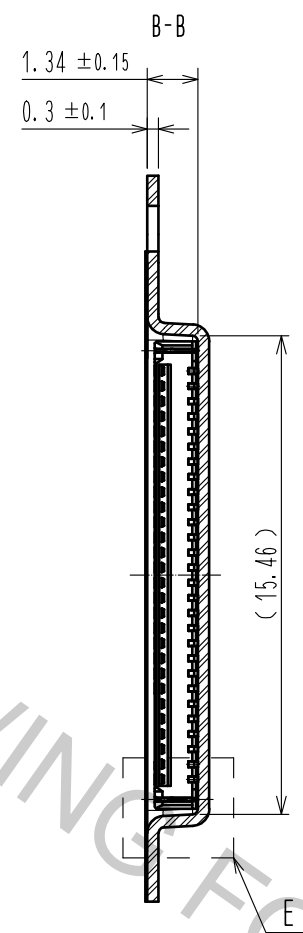
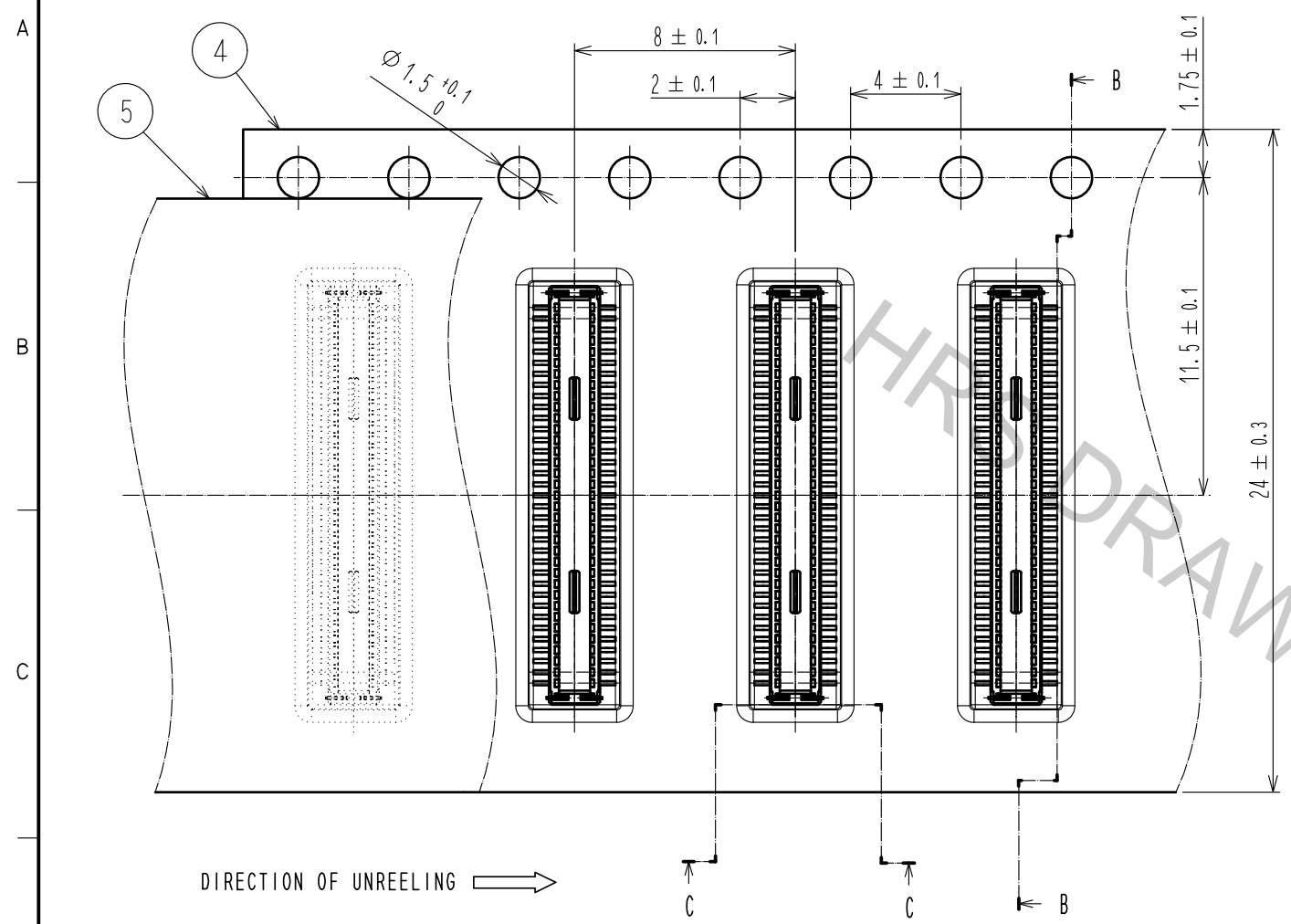
NOTES 1. ALL LEADS METAL FITTINGS CO-PLANARITY SHALL BE 0.1mm MAX.
 2. [Symbol] IS NON-CONDUCTIVE AREA.

2	PHOSPHOR BRONZE	CONTACT AREA: Au 0.05 μm MIN SMT LEAD: Au 0.05 μm MIN UNDERPLATING: NICKEL 1 μm MIN	7	PS	CLEAR(REINFORCEMENT COLLAR)
1	LCP	BLACK, UL94V-0	6	PS	BLACK(PLASTIC REEL)
			5	POLYESTER	CLEAR(COVER TAPE)
			4	PS	CLEAR(EMBOSSED CARRIER TAPE)
			3	PHOSPHOR BRONZE	CONTACT AREA: Au 0.05 μm MIN SMT LEAD: Au 0.05 μm MIN UNDERPLATING: NICKEL 1 μm MIN
NO.	MATERIAL	FINISH . REMARKS	NO.	MATERIAL	FINISH . REMARKS

UNITS mm		SCALE 10 : 1	COUNT 	DESCRIPTION OF REVISIONS	DESIGNED	CHECKED	DATE
HRS HIROSE ELECTRIC CO., LTD.		APPROVED : MO. ISHIDA	15.07.01	DRAWING NO.	EDC-349576-58-01		
		CHECED : TS. MIYAZAKI	15.07.01	PART NO.	DF40GB-70DP-0.4V(58)		
		DESIGNED : SH. HOSODA	15.07.01	CODE NO.	CL684-4199-7-58		
		DRAWN : KR. AJITO	15.07.01				

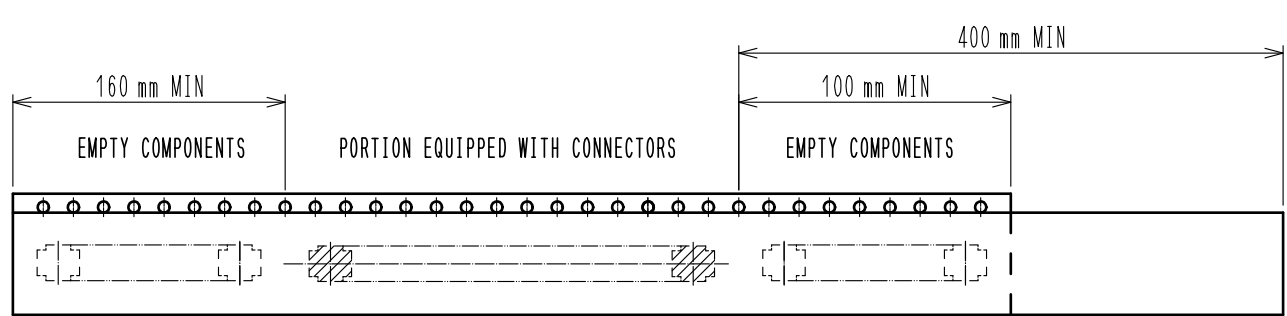
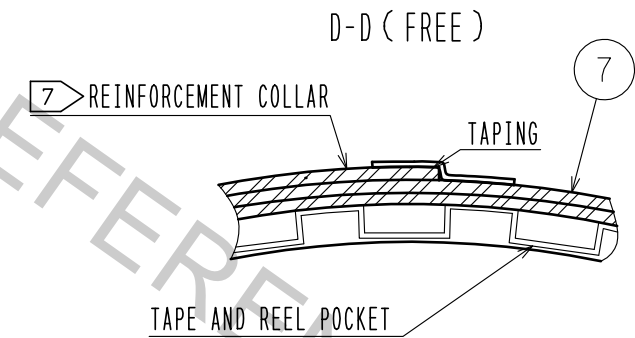
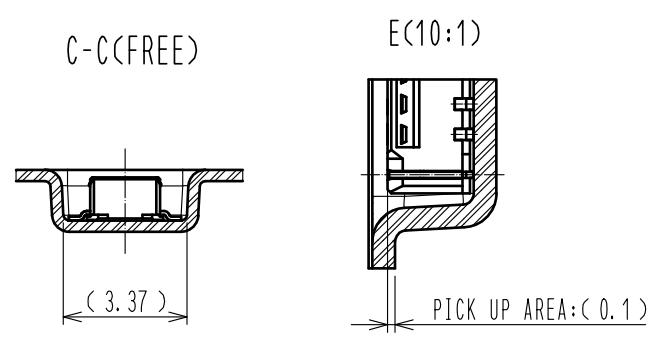
EMBOSSED CARRIER TAPE PACKAGING(FREE)

STYLE AND DIMENSION OF REEL(FREE)



6 DETAIL OF PART No. LABEL

製造年月日	** ** *
製品コード	CL684-4199-7-58
製品名	DF40GB-70DP-0.4V(58)
数量	1000
納入者	ヒロセ電機(株)



- NOTES
- PER REEL 1000 CONNECTORS.
 - THE DIMENSIONS IN PARENTHESES ARE FOR REFERENCE.
 - REFER TO JIS C 0806, IEC 60286-3(PACKING OF COMPONENTS FOR AUTOMATIC HANDLING)
 - DETAIL OF PART No. LABEL IS WRITTEN IN JAPANESE. PART NO. LABEL DESCRIBES THE FOLLOWING INFORMATION FROM TOP.
 PRODUCTION DATE:
 PRODUCT CODE: CL684-4199-7-58
 PART NUMBER: DF40GB-70DP-0.4V(58)
 NUMBER OF PIECES: 1000 PIECES
 SUPPLIER NAME: HIROSE ELECTRIC CO., LTD.
 - AFTER PACKAGING, ROLL 2 METERS OF THE REINFORCEMENT COLLAR TO OUTER CIRCUMFERENCE OF TAPE AND REEL POCKET, AND TAPE DOWN AT THE END THE COLLAR.

HRS	DRAWING NO.	EDC-349576-58-01
	PART NO.	DF40GB-70DP-0.4V(58)
	CODE NO.	CL684-4199-7-58
		△ 2/2

Apr.1.2017 Copyright 2017 HIROSE ELECTRIC CO., LTD. All Rights Reserved.