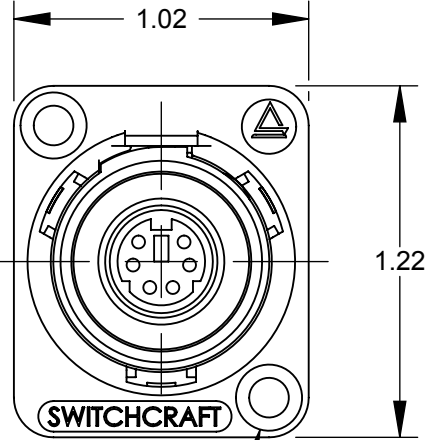
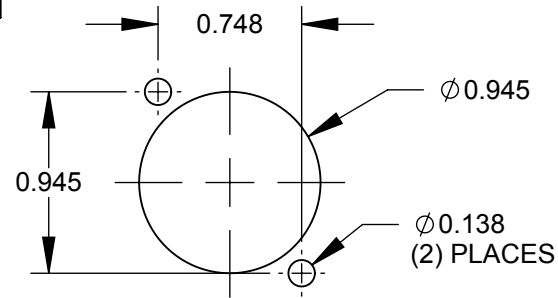
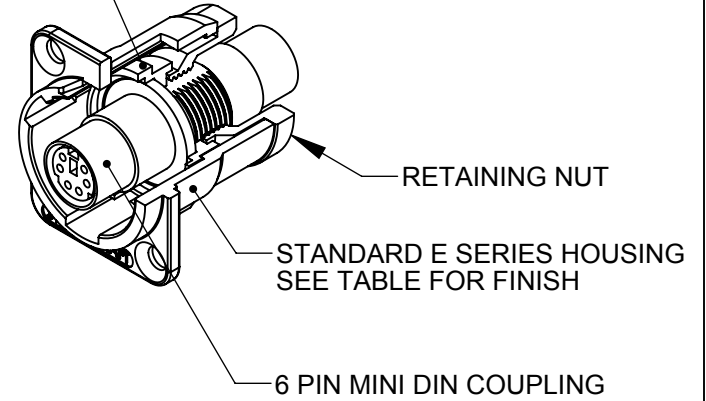
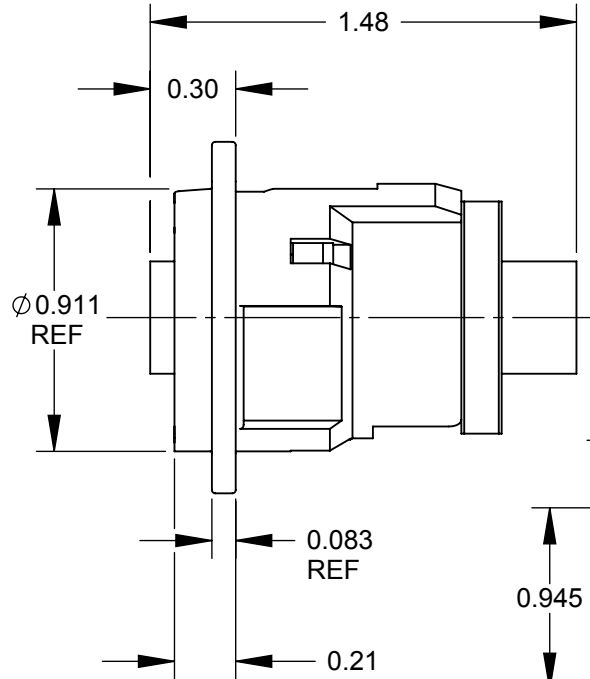




HOUSING INSERT



✓ $\varnothing 0.138$ THRU
 $\varnothing 0.230 \times 82^\circ$
 (2) PLACES REF



RECOMMENDED PANEL CUT-OUT

NOTES:

- MATERIALS:
 HOUSING - ZINC ALLOY
 HOUSING INSERT - THERMOPLASTIC, BLACK
 RETAINING NUT - THERMOPLASTIC, BLACK
 MINI DIN COUPLING - COPPER ALLOY, NICKEL PLATED

2. THIS PRODUCT IS RoHS COMPLIANT.

PART NUMBER	HOUSING FINISH
EH6MD2X	NICKEL
EH6MD2BX	BLACK CHROME

CUSTOMER DRAWING

REV	ECO NUMBER	DATE	BY	APVD
B	26415	7/17/09	RS	TJK
A	26020	9/28/06	RF	TJK

REVISIONS

UNLESS OTHERWISE SPECIFIED				
1. ALL DIMENSIONS IN INCHES				
- TWO PLACE DECIMALS ± 0.02				
- THREE PLACE DECIMALS ± 0.005				
DO NOT SCALE DRAWING				

THIS DRAWING DESCRIBES A DESIGN CONSIDERED PROPRIETARY IN NATURE, DEVELOPED AND MANUFACTURED BY SWITCHCRAFT INC. AND IS RELEASED ON A CONFIDENTIAL BASIS FOR IDENTIFICATION PURPOSES ONLY.									
SIZE		WIDTH		MULT		LBS/M		TEMPER	
FINISH SPEC No.						MATERIAL SPEC No.			
FIRST USED ON				SCALE 1.5:1					
DATE DRAWN		BY		CHKD		APVD			
9/28/06		RF		RF		TJK			
				9/28/06		9/28/06			
NAME E SERIES CONNECTOR, 6 PIN MINI DIN FEEDTHROUGH, RoHS						PART No. EH6MD2_X SERIES		REV B	

SolidWorks CAD File

