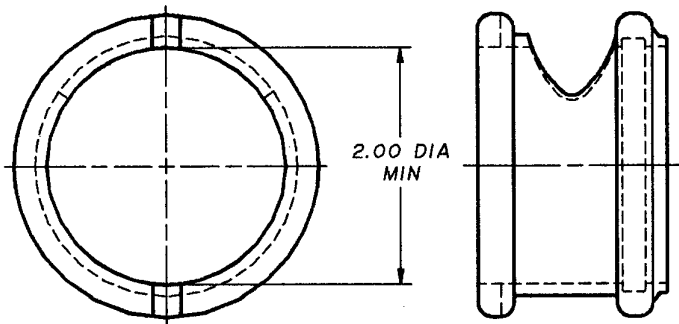
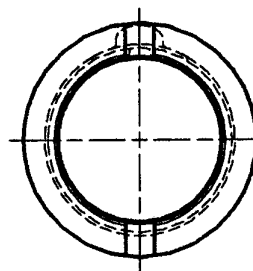
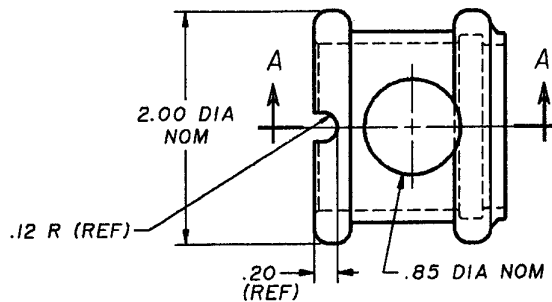


If this document is printed it becomes uncontrolled.
Check for the latest revision.

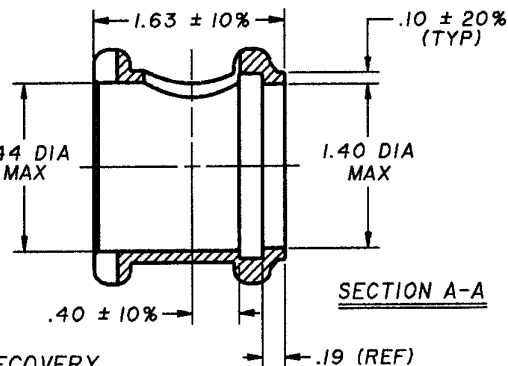
REVISIONS			
LTR	DESCRIPTION	DATE	APPROVED



AS SUPPLIED



AFTER
UNRESTRICTED RECOVERY



ORDERING INFORMATION: 303A021 - 4

Base part number
Material dash number

LIMITED DISTRIBUTION SPECIFICATION CONTROL DRAWING

DASH NO.	MATERIAL DESCRIPTION	RT SPEC	THIS DRAWING AND THE INFORMATION SET FORTH HEREON ARE THE PROPERTY OF RAYCHEM CORPORATION, AND ARE TO BE HELD IN TRUST AND CONFIDENCE. PUBLICATION, DUPLICATION, DISCLOSURE, OR USE FOR ANY PURPOSE NOT EXPRESSLY AUTHORIZED IN WRITING BY RAYCHEM CORPORATION IS PROHIBITED.	DRAWN	C. WARREN	Raychem	RAYCHEM CORPORATION 300 CONSTITUTION DRIVE MENLO PARK, CALIFORNIA 94025
-4	Polyolefin, flexible	RT-1304		CHECKED	S.L.T.		TITLE
-49	E.P.R., flexible	RT-1320		DSGN APPD	S. [Signature] 8-87	CODE IDENT.	
				MFG APPD	[Signature] 10/87		NO. 06090
				QC APPD	[Signature] 1/87	PROJECT	
			MKTG APPD	[Signature] 10/87	01/07/87		SCALE
			TECH SERVICE	[Signature] 1-88			

DO NOT SCALE THIS DRAWING