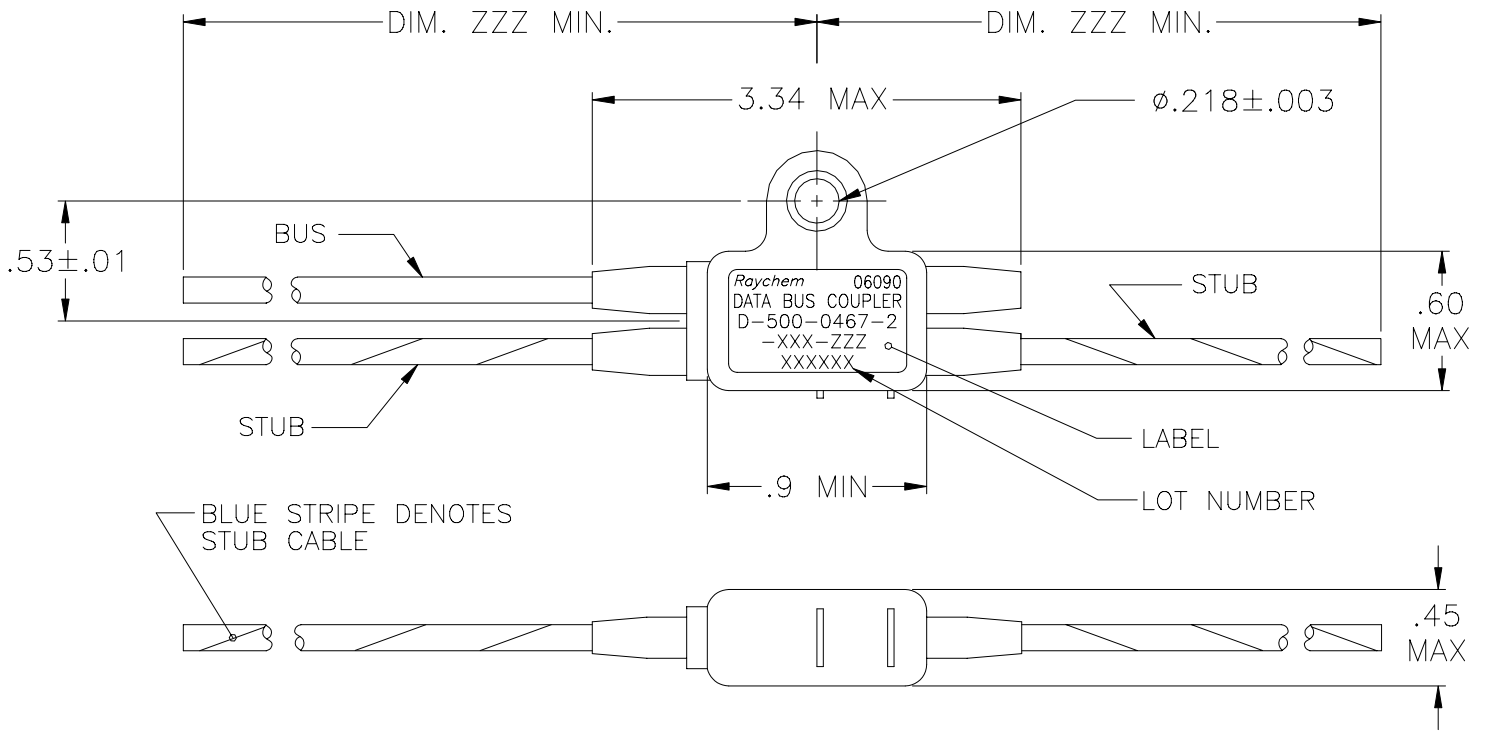


REVISION		
REV	DESCRIPTION	DATE
A	REVISED PER DCR NUMBER T31577	6/12/03



COMPONENT NUMBER	BUS CABLE	STUB CABLE
D-500-0467-2-612-ZZZ	10612-24-9	10612-24-96
D-500-0467-2-613-ZZZ	10613-24-9	10613-24-96
D-500-0467-2-614-ZZZ	10614-24-9	10614-24-96

PART NO. D-500-0467-2-XXX-ZZZ

SCHEMATIC 7=TERMINATOR (AS SHOWN)

2=DOUBLE STUB

LENGTH OF CABLE (INCHES)

CABLE
 612=10612 (SINGLE OPTIMIZED BRAID)
 613=10613 (DOUBLE OPTIMIZED BRAID)
 614=10614 (EMP HARDENED)

If this document is printed it becomes uncontrolled.
 Check for the latest revision.

SPECIFICATION CONTROL DRAWING		
tyco Electronics	Tyco Electronics 300 CONSTITUTION DRIVE MENLO PARK, CALIFORNIA 94025 USA	Raychem
TITLE DATABUS MICROCOUPLER, TWO STUB, IN-LINE 04 SERIES W/BUS TERMINATOR & MOUNTING LUG		
SIZE A	CODE IDENT. NO. 06090	DWG. NO. D-500-0467-2-XXX-ZZZ
DO NOT SCALE THIS DRAWING		SHEET 1 OF 2

UNLESS OTHERWISE SPECIFIED DIMENSIONS ARE INCHES. METRIC DIMENSIONS ARE IN BRACKETS.

DECIMAL TOLERANCES
 .XXX ± --- [--- mm]
 .XX ± --- [--- mm]
 .X ± --- [--- mm]

ANGLE TOLERANCE
 .X ± ---

WEIGHT
 SEE NOTES

DRAWN D.PIQUE	DATE 95AUG25
MATERIAL	FINISH
THIRD ANGLE PROJECTION	

CAD FILE
T31577A

1. MATERIAL AND FINISHES:

1.1 INTERNAL COMPONENTS:

1.1.1 -TRANSFORMER TO MIL-PRF-21038 AND MIL-STD-1553B

1.1.2 -RESISTORS, ISOLATION PER MIL-PRF-39007/9, 57.6 OHMS (R1)

1.1.3 -RESISTOR, TERMINATION PER MIL-PRF-39007/9, 76.8 OHMS (R2)

1.2 SHIELDED CASE: ALUMINUM PER ASTM-B618

1.3 SEALED STRAIN RELIEF COVER: MODIFIED CROSS-LINKED ELASTOMER, BLACK, TO RAYCHEM SPECIFICATION RK-6713.

1.4 CABLE TYPE PER RAYCHEM SPECIFICATION 1200 (SEE PART NO. ON SHEET 1).

2. APPLICATION:

2.1 THIS COUPLER IS DESIGNED TO BE INSTALLED INTO A DIGITAL MULTIPLEX ASSEMBLY MEETING THE REQUIREMENTS OF MIL-STD-1553B.

2.2 FOR CABLE SPLICING USE FLEXIBLE SPLICE KIT D-150-0708-5 (NOT SUPPLIED)

2.3 CABLE BEND RADIUS PER SAE-AS50881 STATIC BEND: 5 x CABLE O.D. MIN.
DYNAMIC BEND: 10 x CABLE O.D. MIN.3. TEMPERATURE:

3.1 OPERATING TEMPERATURE: -65°C TO +150°C

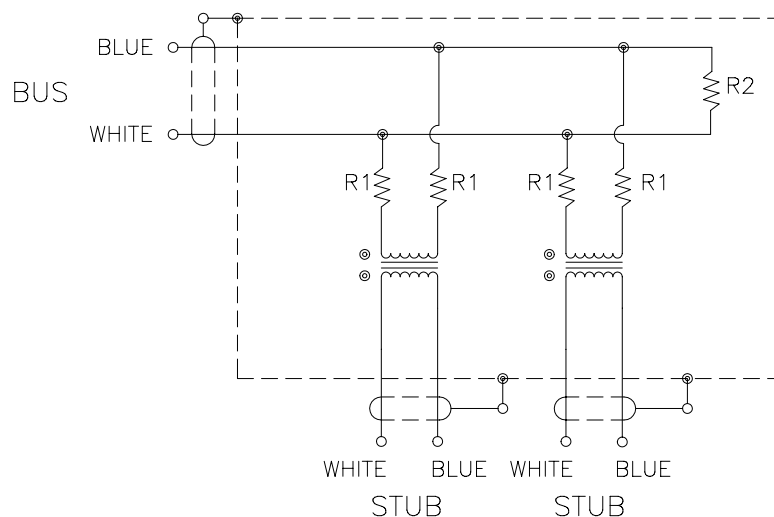
4. PERFORMANCE SPECIFICATIONS:

4.1 TRANSFORMER MEETS THE PERFORMANCE REQUIREMENTS OF MIL-STD-1553B.

4.2 COUPLER MEETS THE PERFORMANCE REQUIREMENTS OF RAYCHEM SPECIFICATION D-6020.

5. WEIGHT:

5.1 MAXIMUM WEIGHT WITHOUT CABLE: 15 GRAMS MAX.

TWO STUB COUPLER SCHEMATIC

If this document is printed it becomes uncontrolled.
Check for the latest revision.

SPECIFICATION CONTROL DRAWING

DRAWN DCP	DATE 95AUG25	SIZE A	CODE IDENT. NO. 06090	DWG. NO. D-500-0467-2-XXX-ZZZ	REV A
CAD FILE T31577B	tyco Electronics	DO NOT SCALE THIS DRAWING			SHEET 2 OF 2