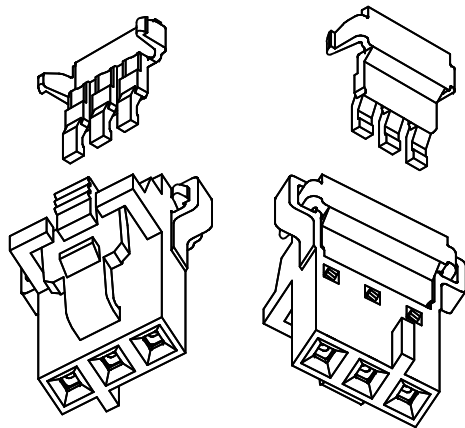


- NOTES:
 1) TERMINAL POSITION ASSURANCE (TPA) FOR USE WITH SL HOUSING, "N" OPTION, SERIES #70066 AND TERMINAL SERIES NUMBERS 70058 AND 71851.
 2) MATERIAL : GLASS FILLED POLYESTER, COLOR NATURAL, (WHITE) 94V-0,
 3) COMPONENTS SOLD SEPERATELY, NOT IN KIT FORM.
 4) THIS PRODUCT TO CONFORM TO MOLEX PRODUCT SPEC. PS-73838-999.
 5) MAXIMUM DIAMETER WIRE FOR THIS APPLICATION .064/1.62.
 6) PACKAGING PER PK-70873-0540.



TPA SHOWN ASSEMBLED TO 70066 HOUSING FOR REFERENCE ONLY

ITEM NUMBER	CKT SIZE	STATUS	DIM "A" ±.010/0.25	DIM "B" ±.010/0.25	DIM "C" ±.010/0.25	DIM "D" ±.010/0.25
73838-0002	2	TOOLED	.259/6.58	.100/2.54	.202/5.13	.166/4.22
73838-0003	3	TOOLED	.359/9.12	.200/5.08	.302/7.67	.266/6.76
73838-0004	4	TOOLED	.459/11.66	.300/7.62	.402/10.21	.366/9.30
73838-0005	5	TOOLED	.559/14.20	.400/10.16	.502/12.75	.466/11.84
73838-0006	6	TOOLED	.659/16.74	.500/12.70	.602/15.29	.566/14.38
73838-0007	7	TOOLED	.759/19.28	.600/15.24	.702/17.83	.666/16.92
73838-0008	8	TOOLED	.859/21.82	.700/17.78	.802/20.37	.766/19.46

MODIFY LEG TIPS EC NO: UCP2006-0223 DRAWN: BARKER 2005/08/30 CHKD: BSWART 2005/09/06 APPR: SMILLER 2005/09/06	QUALITY SYMBOLS ▽=0 ▽=0	GENERAL TOLERANCES (UNLESS SPECIFIED) mm INCH 4 PLACES ± --- ± --- 3 PLACES ± --- ± .010 2 PLACES ± 0.25 ± .015 1 PLACE ± 0.38 ± --- ANGULAR ± 1/2°	DIMENSION STYLE IN/MM DRAWN BY DATE RE ISDORF 98/12/15 CHECKED BY DATE RE ISDORF 98/12/15 APPROVED BY DATE BR INKMAN 98/12/15	SCALE 5:1 DESIGN UNITS INCH THIRD ANGLE PROJECTION	TITLE TERMINAL POSITION ASSURANCE FOR SL CRIMP HOUSING, SALES DRAWING MOLEX MOLEX INCORPORATED DOCUMENT NO. SD-73838-004	SHEET NO. 1 OF 1	
	DRAFT WHERE APPLICABLE MUST REMAIN WITHIN DIMENSIONS		MATERIAL NO. SEE CHART	THIS DRAWING CONTAINS INFORMATION THAT IS PROPRIETARY TO MOLEX INCORPORATED AND SHOULD NOT BE USED WITHOUT WRITTEN PERMISSION			
	REV		SIZE		INCORPORATED AND SHOULD NOT BE USED WITHOUT WRITTEN PERMISSION		
	B		C		INCORPORATED AND SHOULD NOT BE USED WITHOUT WRITTEN PERMISSION		