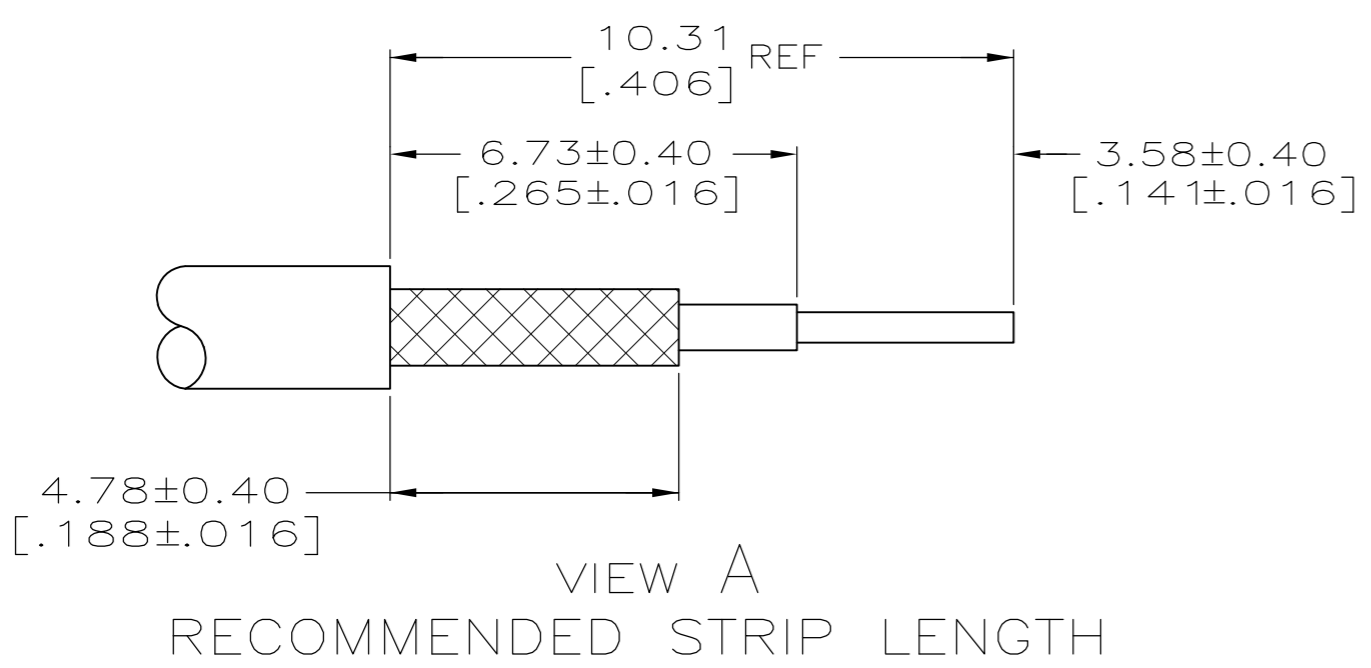
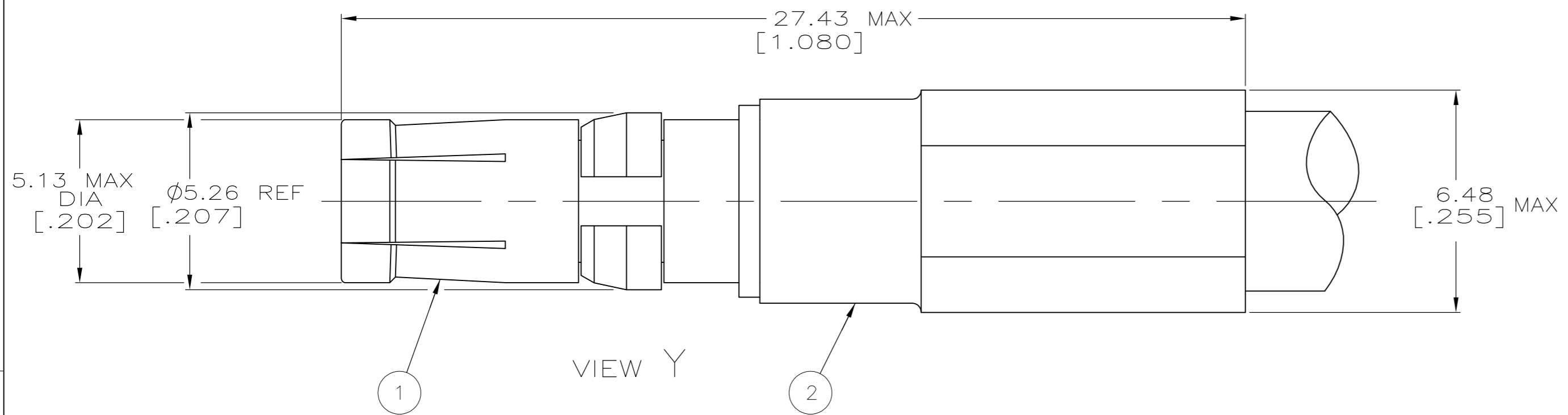
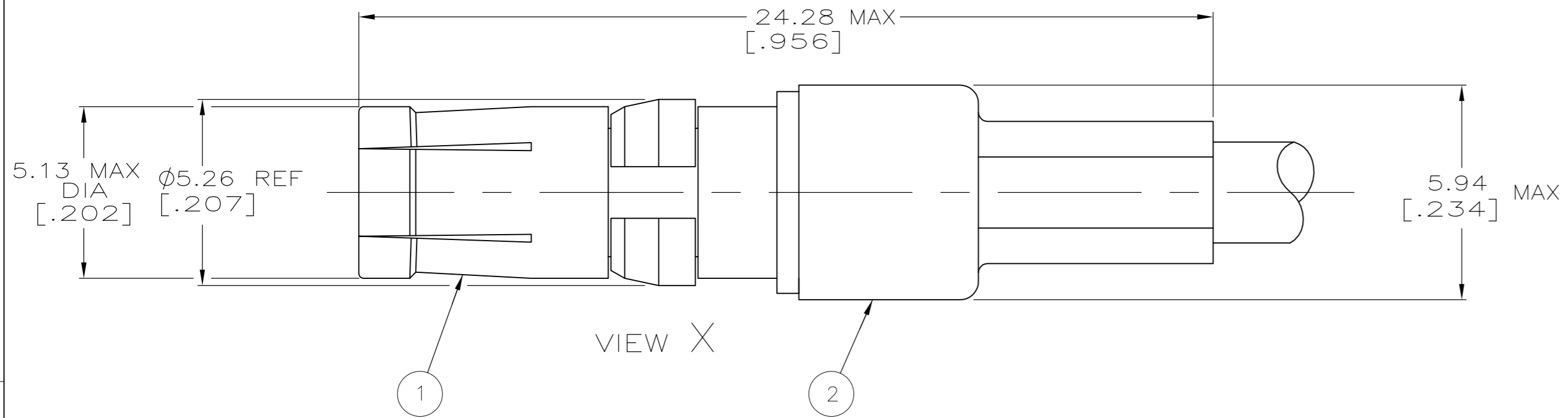


THIS DRAWING IS UNPUBLISHED. RELEASED FOR PUBLICATION
 © COPYRIGHT BY TYCO ELECTRONICS CORPORATION. ALL RIGHTS RESERVED.

LOC	DIST	REVISIONS			
P	LTR	DESCRIPTION	DATE	DWN	APVD
AJ	16	A	REV PER EC 0514-0028-05	17DEC05	BC KW
		A1	REVISED PER ECO-09-024606	29OCT09	KK AEG



- 1. FOR USE WITH: RG-142/U, 142A/U, 142B/U, 58A/U & 400/U, BELDIN 9246
- 2. USE HAND TOOL: 69710-2
PNEUMATIC TOOL: 69365-8
EXTRACTION TOOL: 58095-1
- 3. FOR USE WITH RD-316/U, 174/U, 198/U
DOUBLE BRAIDED CABLE
- 4. OBSOLETE PARTS: OBSOLETE CIS STREAMLINING PER D.RENAUD/D.SINISI

	59993-1	3	9-221205-0	9-222052-0	X,A	5221981-5
4	OBSOLETE	58212-1	1	9-221357-0	Y,A	5221981-2
	OBSOLETE	59993-1	RG-174/U,188/U & 316/U	9-228603-0	X,A	5221981-1
	DIE SET		USE WITH CABLE	2 FERRULE QTY=1	1 SOCKET ASSY QTY=1	VIEW PART NUMBER

THIS DRAWING IS A CONTROLLED DOCUMENT.

DWN	J. HAVENER	24JAN2005	Tyco Electronics Corporation Harrisburg, PA 17105-3608			
CHK	J. HAVENER	26JAN2005				
APVD	G. MICHAEL	26JAN2005				
NAME	SOCKET, STRAIGHT, 50 OHM, SIZE 8					
DIMENSIONS:	TOLERANCES UNLESS OTHERWISE SPECIFIED:		SIZE	CAGE CODE	DRAWING NO	RESTRICTED TO
INCHES	0 PLC ± - 1 PLC ± - 2 PLC ± - 3 PLC ± - 4 PLC ± - ANGLES ± - FINISH -		SCALE	8:1	SHEET	1 OF 1
MATERIAL	FINISH		WEIGHT	-	REV	A1
CUSTOMER DRAWING			A2 00779 C=5221981			

5221981