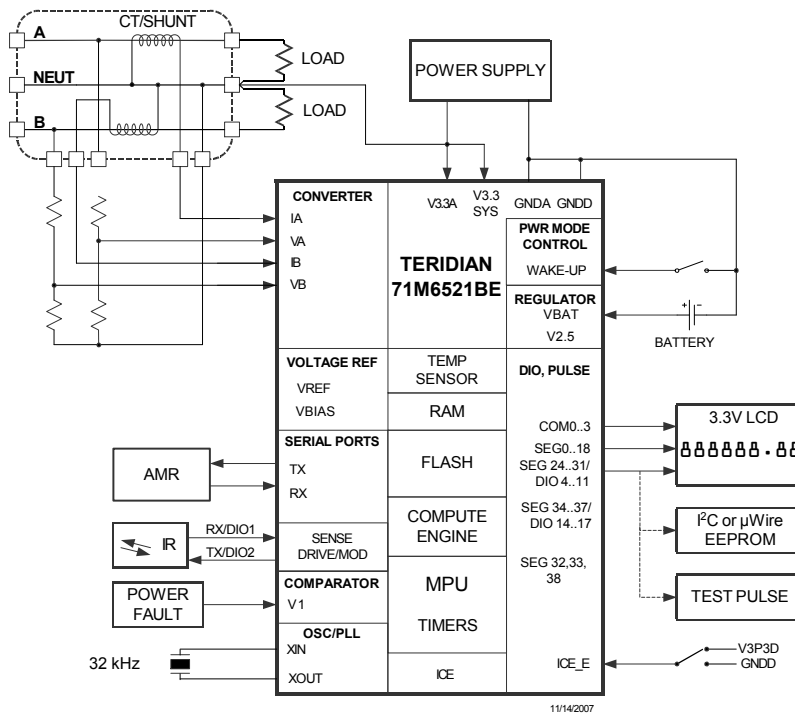


## GENERAL DESCRIPTION

The TERIDIAN 71M6521BE is a highly integrated SOC with an MPU core, FLASH and LCD driver. TERIDIAN's patented Single Converter Technology™ with a 22-bit delta-sigma ADC, four analog inputs, digital temperature compensation, precision voltage reference, battery voltage monitor, and 32-bit computation engine (CE) supports a wide range of residential metering applications with very few low-cost external components. A 32kHz crystal time-base for the entire system further reduces system cost. The IC supports 2-wire single-phase residential metering along with tamper-detection mechanisms.

Maximum design flexibility is provided by multiple UARTs, I<sup>2</sup>C, μWire, up to 14 DIO pins and in-system programmable FLASH memory, which can be updated with data or application code in operation.

A complete array of ICE and development tools, programming libraries and reference designs enable rapid development and certification of AMR and Prepay meters that comply with worldwide electricity metering standards.



## FEATURES

- < 0.4% Wh accuracy over 2000:1 current range and over temperature
- Exceeds IEC62053 / ANSI C12.20 standards
- Voltage reference < 40ppm/°C
- Four sensor inputs—VDD referenced
- Low jitter Wh test output (10kHz maximum)
- Pulse count for Wh pulse output
- Tamper detection: Neutral current with CT or shunt
- Line frequency count for time keeping
- Digital temperature compensation
- Sag detection for phase A and B
- Independent 32-bit compute engine
- 46-64Hz line frequency range with same calibration
- Phase compensation ( $\pm 7^\circ$ )
- Battery monitor
- Three battery modes w/ wake-up on push-button or timer:
  - Brownout mode (48μA)
  - LCD mode (5.7μA)
  - Sleep mode (2.9μA)
- Energy display on main power failure
- Wake-up with push-button
- 22-bit delta-sigma ADC
- 8-bit MPU (80515), 1 clock cycle per instruction w/ integrated ICE for MPU debug
- Hardware watchdog timer, power fail monitor
- LCD driver (up to 140 pixels)
- Up to 14 general purpose I/O pins
- 32kHz time base
- 8KB FLASH with security
- 2KB MPU XRAM
- Two UARTs for IR and AMR
- Digital I/O pins compatible with 5V inputs
- 64-pin LQFP
- Lead Free package

## Table of Contents

GENERAL DESCRIPTION .....	1
FEATURES.....	1
HARDWARE DESCRIPTION.....	9
Hardware Overview.....	9
Analog Front End (AFE).....	9
Input Multiplexer .....	9
A/D Converter (ADC).....	10
FIR Filter.....	10
Voltage References .....	10
Temperature Sensor.....	11
Battery Monitor .....	12
Functional Description .....	12
Digital Computation Engine (CE) .....	12
Meter Equations .....	13
Real-Time Monitor .....	13
Pulse Generator .....	13
CE Functional Overview .....	14
80515 MPU Core .....	16
Memory Organization .....	16
Special Function Registers (SFRs).....	18
Special Function Registers (Generic 80515 SFRs) .....	19
Special Function Registers Specific to the 71M6521BE .....	21
Instruction Set.....	22
UART.....	22
Timers and Counters .....	25
WD Timer (Software Watchdog Timer).....	27
Interrupts .....	29
On-Chip Resources .....	37
Oscillator.....	37
PLL and Internal Clocks.....	37
Temperature Sensor.....	37
Physical Memory .....	37
Optical Interface .....	38
Digital I/O.....	39
LCD Drivers .....	41
Battery Monitor .....	41
EEPROM Interface.....	41
Hardware Watchdog Timer.....	45
Program Security.....	45

Test Ports .....	46
FUNCTIONAL DESCRIPTION .....	47
Theory of Operation .....	47
System Timing Summary .....	48
Battery Modes .....	49
BROWNOUT Mode .....	50
LCD Mode .....	51
SLEEP Mode .....	51
Fault and Reset Behavior .....	56
Wake Up Behavior .....	57
Wake on PB .....	57
Wake on Timer .....	57
Data Flow .....	58
CE/MPU Communication .....	58
Temperature Measurement .....	59
Temperature Compensation .....	59
APPLICATION INFORMATION .....	60
Connection of Sensors (CT, Resistive Shunt) .....	60
Connecting 5V Devices .....	60
Connecting LCDs .....	61
Connecting I <sup>2</sup> C EEPROMs .....	63
Connecting Three-Wire EEPROMs .....	63
UART0 (TX/RX) .....	64
Optical Interface .....	64
Connecting V1 and Reset Pins .....	65
Connecting the Emulator Port Pins .....	66
Crystal Oscillator .....	67
Flash Programming .....	67
MPU Firmware Library .....	67
Meter Calibration .....	67
FIRMWARE INTERFACE .....	68
I/O RAM MAP – In Numerical Order .....	68
SFR MAP (SFRs Specific to TERIDIAN 80515) – In Numerical Order .....	69
I/O RAM DESCRIPTION – Alphabetical Order .....	70
CE Interface Description .....	76
CE Program .....	76
Formats .....	76
Constants .....	76
Environment .....	76
CE Calculations .....	77
CE STATUS .....	77

CE TRANSFER VARIABLES .....	79
Other CE Parameters .....	80
ELECTRICAL SPECIFICATIONS .....	83
ABSOLUTE MAXIMUM RATINGS .....	83
RECOMMENDED EXTERNAL COMPONENTS .....	84
RECOMMENDED OPERATING CONDITIONS .....	84
PERFORMANCE SPECIFICATIONS .....	85
INPUT LOGIC LEVELS .....	85
OUTPUT LOGIC LEVELS .....	85
POWER-FAULT COMPARATOR.....	85
BATTERY MONITOR.....	85
SUPPLY CURRENT .....	86
V3P3D SWITCH .....	86
2.5V VOLTAGE REGULATOR.....	86
LOW POWER VOLTAGE REGULATOR.....	87
CRYSTAL OSCILLATOR .....	87
VREF, VBIAS .....	87
ADC CONVERTER, V3P3A REFERENCED.....	88
OPTICAL INTERFACE.....	88
TEMPERATURE SENSOR .....	89
LSB values do not include the 9-bit left shift at CE input. ....	89
LCD DRIVERS .....	88
TIMING SPECIFICATIONS .....	90
RAM AND FLASH MEMORY .....	90
FLASH MEMORY TIMING .....	90
EEPROM INTERFACE.....	90
RESET .....	90
TYPICAL PERFORMANCE DATA.....	91
PACKAGE OUTLINE (LQFP 64) .....	92
PINOUT (LQFP-64) .....	93
PIN DESCRIPTIONS .....	94
Power/Ground Pins:.....	94
Analog Pins: .....	94
Digital Pins:.....	95
I/O Equivalent Circuits: .....	96
ORDERING INFORMATION .....	97

## List of Figures

Figure 1: IC Functional Block Diagram.....	8
Figure 2: General Topology of a Chopped Amplifier .....	11
Figure 3: AFE Block Diagram.....	12
Figure 4: Samples from Multiplexer Cycle.....	14
Figure 5: Accumulation Interval.....	15
Figure 6: Interrupt Structure .....	36
Figure 7: Optical Interface .....	39
Figure 8: Connecting an External Load to DIO Pins.....	40
Figure 9: 3-Wire Interface. Write Command, HiZ=0.....	43
Figure 10: 3-Wire Interface. Write Command, HiZ=1 .....	43
Figure 11: 3-Wire Interface. Read Command.....	44
Figure 12: 3-Wire Interface. Write Command when CNT=0.....	44
Figure 13: 3-Wire Interface. Write Command when HiZ=1 and WFR=1.....	44
Figure 14: Functions defined by V1.....	45
Figure 15: Voltage, Current, Momentary and Accumulated Energy .....	47
Figure 16: Timing Relationship between ADC MUX, Compute Engine, and Serial Transfers. ....	48
Figure 17: RTM Output Format .....	49
Figure 18: Operation Modes State Diagram.....	50
Figure 19: Functional Blocks in BROWNOUT Mode (inactive blocks grayed out).....	52
Figure 20: Functional Blocks in LCD Mode (inactive blocks grayed out).....	53
Figure 21: Functional Blocks in SLEEP Mode (inactive blocks grayed out) .....	54
Figure 22: Transition from BROWNOUT to MISSION Mode when System Power Returns .....	55
Figure 23: Power-Up Timing with V3P3SYS and VBAT tied together .....	55
Figure 24: Power-Up Timing with VBAT only .....	56
Figure 25: Wake Up Timing.....	57
Figure 26: MPU/CE Data Flow .....	58
Figure 27: MPU/CE Communication .....	58
Figure 28: Resistive Voltage Divider (Left), Current Transformer (Right).....	60
Figure 29: Resistive Shunt .....	60
Figure 30: Connecting LCDs .....	61
Figure 31: I <sup>2</sup> C EEPROM Connection.....	63
Figure 32: Three-Wire EEPROM Connection.....	63
Figure 33: Connections for the RX Pin .....	64
Figure 34: Connection for Optical Components .....	65
Figure 35: Voltage Divider for V1 .....	65
Figure 36: External Components for the RESET Pin: Push-Button (Left), EMI Circuit (Right) .....	66
Figure 37: External Components for the Emulator Interface .....	66
Figure 38: Wh Accuracy, 0.1A to 200A at 240V/50Hz and Room Temperature.....	91
Figure 39: Meter Accuracy over Harmonics at 240V, 30A.....	91
Figure 40: Typical Meter Accuracy over Temperature Relative to 25°C.....	92

## List of Tables

Table 1: Inputs Selected in Regular and Alternate Multiplexer Cycles .....	9
Table 2: CE DRAM Locations for ADC Results .....	13
Table 3: Memory Map .....	16
Table 4: Stretch Memory Cycle Width .....	17
Table 5: Internal Data Memory Map .....	18
Table 6: Special Function Registers Locations .....	18
Table 7: Special Function Registers Reset Values .....	19
Table 8: <i>PSW</i> Register Flags .....	20
Table 9: <i>PSW</i> Bit Functions .....	20
Table 10: Port Registers .....	21
Table 11: Special Function Registers .....	22
Table 12: Baud Rate Generation .....	23
Table 13: UART Modes .....	23
Table 14: The <i>S0CON</i> Register .....	23
Table 15: The <i>S1CON</i> register .....	23
Table 16: The <i>S0CON</i> Bit Functions .....	24
Table 17: The <i>S1CON</i> Bit Functions .....	24
Table 18: The <i>TCON</i> Register .....	25
Table 19: The <i>TCON</i> Register Bit Functions .....	25
Table 20: The <i>TMOD</i> Register .....	26
Table 21: <i>TMOD</i> Register Bit Description .....	26
Table 22: Timers/Counters Mode Description .....	26
Table 23: Timer Modes .....	27
Table 24: The <i>PCON</i> Register .....	27
Table 25: <i>PCON</i> Register Bit Description .....	27
Table 26: The <i>IEN0</i> Register (see also Table 32) .....	28
Table 27: The <i>IEN0</i> Bit Functions (see also Table 32) .....	28
Table 28: The <i>IEN1</i> Register (see also Tables 30/31) .....	28
Table 29: The <i>IEN1</i> Bit Functions (see also Tables 31/32) .....	28
Table 30: The <i>IPO</i> Register (see also Table 45) .....	29
Table 31: The <i>IPO</i> bit Functions (see also Table 45) .....	29
Table 32: The <i>WDTRREL</i> Register .....	29
Table 33: The <i>WDTRREL</i> Bit Functions .....	29
Table 34: The <i>IEN0</i> Register .....	30
Table 35: The <i>IEN0</i> Bit Functions .....	30
Table 36: The <i>IEN1</i> Register .....	30
Table 37: The <i>IEN1</i> Bit Functions .....	31
Table 38: The <i>IEN2</i> Register .....	31
Table 39: The <i>IEN2</i> Bit Functions .....	31
Table 40: The <i>TCON</i> Register .....	31
Table 41: The <i>TCON</i> Bit Functions .....	31
Table 42: The <i>T2CON</i> Bit Functions .....	32
Table 43: The <i>IRCON</i> Register .....	32
Table 44: The <i>IRCON</i> Bit Functions .....	32
Table 45: External MPU Interrupts .....	33

Table 46: Interrupt Enable and Flag Bits .....	33
Table 47: Priority Level Groups .....	34
Table 48: The <i>IP0</i> Register	
Table 49: The <i>IP1</i> Register: .....	34
Table 50: Priority Levels .....	35
Table 51: Interrupt Polling Sequence .....	35
Table 52: Interrupt Vectors .....	35
Table 53: Data/Direction Registers and Internal Resources for DIO Pin Groups .....	39
Table 54: <i>DIO_DIR</i> Control Bit .....	40
Table 55: Selectable Controls using the <i>DIO_DIR</i> Bits .....	41
Table 56: <i>EECTRL</i> Status Bits .....	42
Table 57: <i>EECTRL</i> bits for 3-wire interface .....	43
Table 58: <i>TMUX</i> [4:0] Selections.....	46
Table 59: Available Circuit Functions (“—“ means “not active”).....	51
Table 60: LCD and DIO Pin Assignment by <i>LCD_NUM</i> .....	62

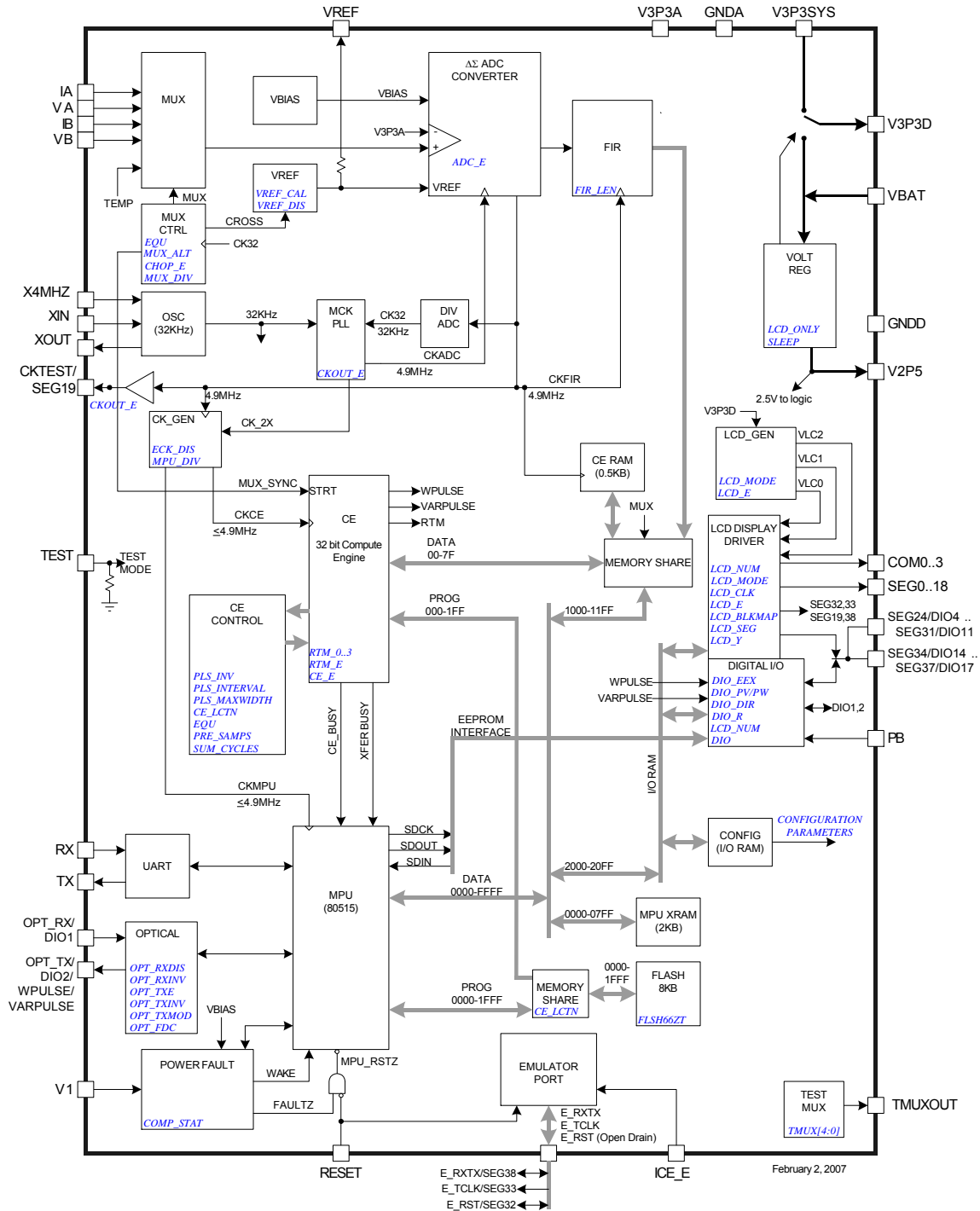


Figure 1: IC Functional Block Diagram



## HARDWARE DESCRIPTION

### Hardware Overview

The TERIDIAN 71M6521BE single-chip energy meter integrates all primary functional blocks required to implement a solid-state electricity meter. Included on chip are an analog front end (AFE), an independent digital computation engine (CE), an 8051-compatible microprocessor (MPU) which executes one instruction per clock cycle (80515), a voltage reference, a temperature sensor, LCD drivers, RAM, Flash memory, and a variety of I/O pins. Various current sensor technologies are supported including Current Transformers (CT) and Resistive Shunts.

In a typical application, the 32-bit compute engine (CE) of the 71M6521BE sequentially processes the samples from the voltage inputs on pins IA, VA, IB, VB<sup>1</sup> and performs calculations to measure active energy (Wh). This measurement is then accessed by the MPU, processed further and output using the peripheral devices available to the MPU.

Measurements can be displayed on 3.3V LCD commonly used in low temperature environments. Flexible mapping of LCD display segments will facilitate integration of existing custom LCD. Design trade-off between the number of LCD segments vs. DIO pins can be implemented in software to accommodate various requirements.

The on-chip digital temperature compensation mechanism includes a temperature sensor and associated controls for correction of unwanted temperature effects on measurement. Temperature dependent external components such as crystal oscillator, current sensors, and their corresponding signal conditioning circuits can be characterized and their correction factors can be programmed to produce electricity meters with exceptional accuracy over the industrial temperature range.

One of the two internal UARTs is adapted to support an Infrared LED with internal drive and sense configuration, and can also function as a standard UART. The optical output can be modulated at 38kHz. This flexibility makes it possible to implement AMR meters with an IR interface. A block diagram of the IC is shown in Figure 1. A detailed description of various functional blocks follows.

### Analog Front End (AFE)

The AFE of the 71M6521BE is comprised of an input multiplexer, a delta-sigma A/D converter and a voltage reference.

#### Input Multiplexer

The input multiplexer supports up to four input signals that are applied to pins IA, VA, IB and VB<sup>1</sup> of the device. Additionally, using the alternate multiplexer selection, it has the ability to select temperature and the battery voltage. The multiplexer can be operated in two modes:

- During a normal multiplexer cycle, the signals from the IA, IB, VA, and VB pins are selected.
- During the alternate (ALT) multiplexer cycle, the temperature signal (TEMP) and the battery monitor are selected, along with the signal sources shown in Table 1. To prevent unnecessary drainage on the battery, the battery monitor is enabled only with the BME bit (0x2020[6]) in the I/O RAM.

The alternate multiplexer cycles are usually performed infrequently (e. g. every second or so) by the MPU. In order to prevent disruption of the voltage tracking PLL and voltage allpass networks, VA is not replaced in the ALT multiplexer selections. Missing samples due to an ALT multiplexer sequence are filled in by the CE.

	Regular MUX Sequence				ALT MUX Sequence			
	Mux State				Mux State			
<i>EQU</i>	0	1	2	3	0	1	2	3
0	IA	VA	IB	VB	TEMP	VA	IB	VBAT

**Table 1: Inputs Selected in Regular and Alternate Multiplexer Cycles**

<sup>1</sup>: VB is available, but not used in typical 1-phase, 2-wire meters

In a typical application, IA and IB are connected to current transformers that sense the current on each phase of the line voltage. VA is typically connected to a voltage sensor (resistor divider).

The multiplexer control circuit handles the setting of the multiplexer. The function of the multiplexer control circuit is governed by the I/O RAM registers *MUX\_ALT*, *MUX\_DIV* and *EQU*. *MUX\_DIV* controls the number of samples per cycle. It can request 2, 3, or 4 multiplexer states per cycle. Multiplexer states above 4 are reserved and must not be used. The multiplexer always starts at the beginning of its list and proceeds until *MUX\_DIV* states have been converted.

The *MUX\_ALT* bit requests an alternative multiplexer frame. The bit may be asserted on any MPU cycle and may be subsequently de-asserted on any cycle including the next one. A rising edge on *MUX\_ALT* will cause the multiplexer control circuit to wait until the next multiplexer cycle and implement a single alternate cycle.

The multiplexer control circuit also controls the FIR filter initiation and the chopping of the ADC reference voltage, VREF. The multiplexer control circuits clocked by CK32, the 32768Hz clock from the PLL block, and launches each pass through the CE program.

### **A/D Converter (ADC)**

A single delta-sigma A/D converter digitizes the voltage and current inputs to the 71M6521BE. The resolution of the ADC is programmable using the *FIR\_LEN* register as shown in the I/O RAM section. ADC resolution can be selected to be 21 bits (*FIR\_LEN*=0), or 22 bits (*FIR\_LEN*=1). Conversion time is two cycles of CK32 with *FIR\_LEN* = 0 and three cycles with *FIR\_LEN* = 1.

**In order to provide the maximum resolution, the ADC should be operated with *FIR\_LEN* = 1. Accuracy and timing specifications in this data sheet are based on *FIR\_LEN* = 1.**

Initiation of each ADC conversion is controlled by the multiplexer control circuit as described previously. At the end of each ADC conversion, the FIR filter output data is stored into the CE DRAM location determined by the multiplexer selection.

### **FIR Filter**

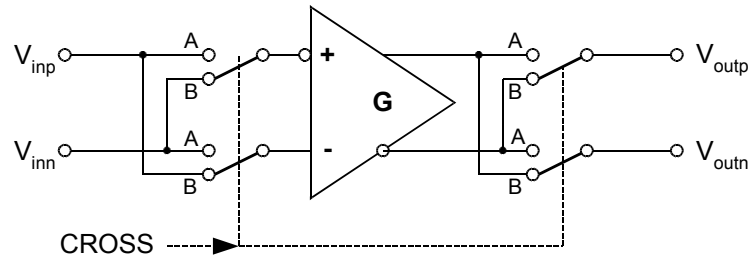
The finite impulse response filter is an integral part of the ADC and it is optimized for use with the multiplexer. The purpose of the FIR filter is to decimate the ADC output to the desired resolution. At the end of each ADC conversion, the output data is stored into the fixed CE DRAM location determined by the multiplexer selection. FIR data is stored LSB justified, but shifted left by nine bits.

### **Voltage References**

The device includes an on-chip precision bandgap voltage reference that incorporates auto-zero techniques. The reference is trimmed to minimize errors caused by component mismatch and drift. The result is a voltage output with a predictable temperature coefficient.

The amplifier within the reference is chopper stabilized, i.e. the polarity can be switched by the MPU using the I/O RAM register *CHOP\_E* (0x2002[5:4]). The two bits in the *CHOP\_E* register enable the MPU to operate the chopper circuit in regular or inverted operation, or in "toggling" mode. When the chopper circuit is toggled in between multiplexer cycles, DC offsets on the measured signals will automatically be averaged out.

The general topology of a chopped amplifier is given in Figure 2.



**Figure 2: General Topology of a Chopped Amplifier**

It is assumed that an offset voltage  $V_{off}$  appears at the positive amplifier input. With all switches, as controlled by CROSS in the “A” position, the output voltage is:

$$V_{outp} - V_{outn} = G (V_{inp} + V_{off} - V_{inn}) = G (V_{inp} - V_{inn}) + G V_{off}$$

With all switches set to the “B” position by applying the inverted CROSS signal, the output voltage is:

$$V_{outn} - V_{outp} = G (V_{inn} - V_{inp} + V_{off}) = G (V_{inn} - V_{inp}) + G V_{off}, \text{ or}$$

$$V_{outp} - V_{outn} = G (V_{inp} - V_{inn}) - G V_{off}$$

Thus, when CROSS is toggled, e.g. after each multiplexer cycle, the offset will alternately appear on the output as positive and negative, which results in the offset effectively being eliminated, regardless of its polarity or magnitude.

When CROSS is high, the hookup of the amplifier input devices is reversed. This preserves the overall polarity of that amplifier gain, it inverts its input offset. By alternately reversing the connection, the amplifier’s offset is averaged to zero. This removes the most significant long-term drift mechanism in the voltage reference. The *CHOP\_E* bits control the behavior of CROSS. The CROSS signal will reverse the amplifier connection in the voltage reference in order to negate the effects of its offset. On the first CK32 rising edge after the last mux state of its sequence, the mux will wait one additional CK32 cycle before beginning a new frame. At the beginning of this cycle, the value of CROSS will be updated according to the *CHOP\_E* bits. The extra CK32 cycle allows time for the chopped VREF to settle. During this cycle, MUXSYNC is held high. The leading edge of muxsync initiates a pass through the CE program sequence. The beginning of the sequence is the serial readout of the 4 RTM words.

*CHOP\_E* has 3 states: positive, reverse, and chop. In the ‘positive’ state, CROSS is held low. In the ‘reverse’ state, CROSS is held high. In the ‘chop’ state, CROSS is toggled near the end of each Mux Frame, as described above. It is desirable that CROSS take on alternate values at the beginning of each Mux cycle. For this reason, if ‘chop’ state is selected, CROSS will not toggle at the end of the last Mux cycle in a SUM cycle.

The internal bias voltage  $V_{BIAS}$  (typically 1.6V) is used by the ADC when measuring the temperature and battery monitor signals.

### **Temperature Sensor**

The 71M6521BE includes an on-chip temperature sensor implemented as a bandgap reference. It is used to determine the die temperature. The MPU may request an alternate multiplexer cycle containing the temperature sensor output by asserting *MUX\_ALT*.

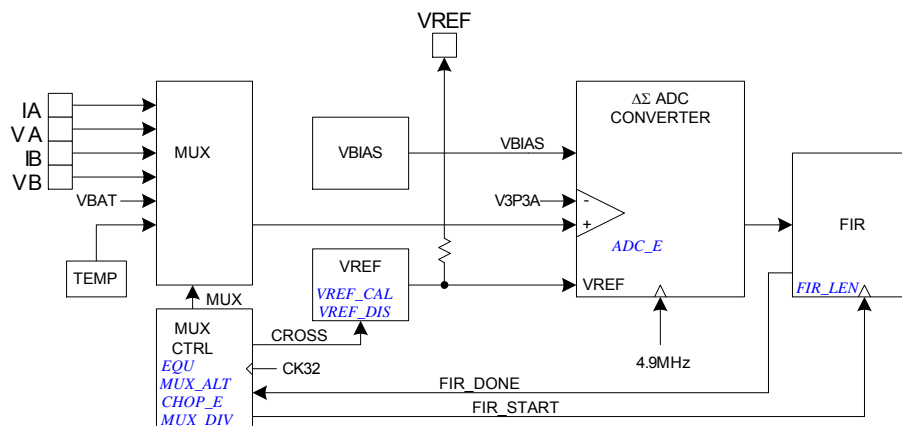
The primary use of the temperature data is to determine the magnitude of compensation required to offset the thermal drift in the system (see section titled “Temperature Compensation”).

### Battery Monitor

The battery voltage is measured by the ADC during alternative multiplexer frames if the *BME* (Battery Measure Enable) bit in the I/O RAM is set. While *BME* is set, an on-chip 45kΩ load resistor is applied to the battery, and a scaled fraction of the battery voltage is applied to the ADC input. After each alternative MUX frame, the result of the ADC conversion is available at CE DRAM address 07. *BME* is ignored and assumed zero when system power is not available ( $V1 < VBIAS$ ). See the Battery Monitor section of the Electrical Specifications for details regarding the ADC LSB size and the conversion accuracy.

### Functional Description

The AFE functions as a data acquisition system, controlled by the MPU. The main signals (*IA*, *VA*, *IB*, *VB*) are sampled and the ADC counts obtained are stored in CE DRAM where they can be accessed by the CE and, if necessary, by the MPU. Alternate multiplexer cycles are initiated less frequently by the MPU to gather access to the slow temperature and battery signals.



**Figure 3: AFE Block Diagram**

### Digital Computation Engine (CE)

The CE, a dedicated 32-bit signal processor, performs the precision computations necessary to accurately measure energy. The CE calculations and processes include:

- Multiplication of each current sample with its associated voltage sample to obtain the energy per sample (when multiplied with the constant sample time).
- Frequency-insensitive delay cancellation on all channels (to compensate for the delay between samples caused by the multiplexing scheme).
- Pulse generation.
- Monitoring of the input signal frequency (for frequency and phase information).
- Monitoring of the input signal amplitude (for sag detection).
- Scaling of the processed samples based on calibration coefficients.

The CE program resides in flash memory. Common access to flash memory by CE and MPU is controlled by a memory share circuit. Each CE instruction word is two bytes long. Allocated flash space for the CE program cannot exceed 1024 words (2KB). The CE program counter begins a pass through the CE code each time multiplexer state 0 begins. The code pass ends when a HALT instruction is executed. For proper operation, the code pass must be completed before the multiplexer cycle ends (see System Timing Summary in the Functional Description Section).

The CE program must begin on a 1Kbyte boundary of the flash address. The I/O RAM register *CE\_LCTN[4:0]* defines which 1KB boundary contains the CE code. Thus, the first CE instruction is located at  $1024 * CE\_LCTN[4:0]$ .

The CE DRAM can be accessed by the FIR filter block, the RTM circuit, the CE, and the MPU. Assigned time slots are reserved for FIR, RTM, and MPU, respectively, to prevent bus contention for CE DRAM data access. Holding registers are used to convert 8-bit wide MPU data to/from 32-bit wide CE DRAM data, and wait states are inserted as needed, depending on the frequency of CKMPU.

The CE DRAM is 128 32-bit words. The MPU can read and write the CE DRAM as the primary means of data communication between the two processors.

Table 2 shows the CE DRAM addresses allocated to analog inputs from the AFE.

Address (HEX)	Name	Description
00	IA	Phase A current
01	VA	Phase A voltage
02	IB	Phase B current
03	VB	(Phase B voltage – not used)
04	-	Not used
05	-	Not used
06	TEMP	Temperature
07	VBAT	Battery Voltage

**Table 2: CE DRAM Locations for ADC Results**

The CE of the 71M6521BE is aided by support hardware that facilitates implementation of equations, pulse counters, and accumulators. This support hardware is controlled through I/O RAM locations *EQU* (equation assist), *DIO\_PV* and *DIO\_PW* (pulse count assist), and *PRE\_SAMPS* and *SUM\_CYCLES* (accumulation assist). *PRE\_SAMPS* and *SUM\_CYCLES* support a dual level accumulation scheme where the first accumulator accumulates results from *PRE\_SAMPS* samples and the second accumulator accumulates up to *SUM\_CYCLES* of the first accumulator results. The integration time for each energy output is  $PRE\_SAMPS * SUM\_CYCLES / 2520.6$  (with *MUX\_DIV* = 1). CE hardware issues the *XFER\_BUSY* interrupt when the accumulation is complete.

### **Meter Equations**

Compute Engine (CE) firmware for residential meter configurations implements the calculations for equation 0 for a single-element, 2-wire, 1-phase meter with neutral current sense and tamper detection. The energy for element 0 is determined by  $VA * IA$ , and the energy for element 1 is determined by  $VA * IB$ .

### **Real-Time Monitor**

The CE contains a Real-Time Monitor (RTM), which can be programmed through the UART to monitor four selectable CE DRAM locations at full sample rate. The four monitored locations are serially output to the TMUXOUT pin via the digital output multiplexer at the beginning of each CE code pass. The RTM can be enabled and disabled with *RTM\_EN*. The RTM output is clocked by CKTEST. Each RTM word is clocked out in 35 cycles and contains a leading flag bit. See the Functional Description section for the RTM output format. RTM is low when not in use.

### **Pulse Generator**

The chip contains a pulse generator that creates low-jitter Wh pulses at a rate set by the CE.

The I/O RAM bit *DIO\_PW*, as described in the Digital I/O section, can be programmed to route WPULSE to the output pin DIO6. Pulses can also be output on OPT\_TX (see *OPT\_TXE[1:0]* for details).

The value of *PLS\_INTERVAL* depends on the sample rate (nominal 2520Hz) and the number of times the pulse generator is executed in the CE code. Changing these values would require redesign of all CE filters and/or modification of the CE pulse generator code. Since these numbers are fixed for the CE code supplied by TERIDIAN, the value of *PLS\_INTERVAL* is also fixed, to a value of 0x81.

On-chip hardware provides a maximum pulse width feature:  $PLS\_MAXWIDTH[7:0]$  selects a maximum negative pulse width to be 'Nmax' updates according to the formula:  $Nmax = (2 * PLS\_MAXWIDTH + 1)$ . If  $PLS\_MAXWIDTH = 255$ , no width checking is performed.

Given that  $PLS\_INTERVAL = 81$ , the maximum pulse width is determined by:

$$\text{Maximum Pulse Width} = (2 * PLS\_MAXWIDTH + 1) * 81 * 4 * 203ns = 65.8\mu s + PLS\_MAXWIDTH * 131.5\mu s$$

The CE pulse output polarity is programmable to be either positive or negative. Pulse polarity may be inverted with  $PLS\_INV$ . When this bit is set, the pulses are active high, rather than the more usual active low.

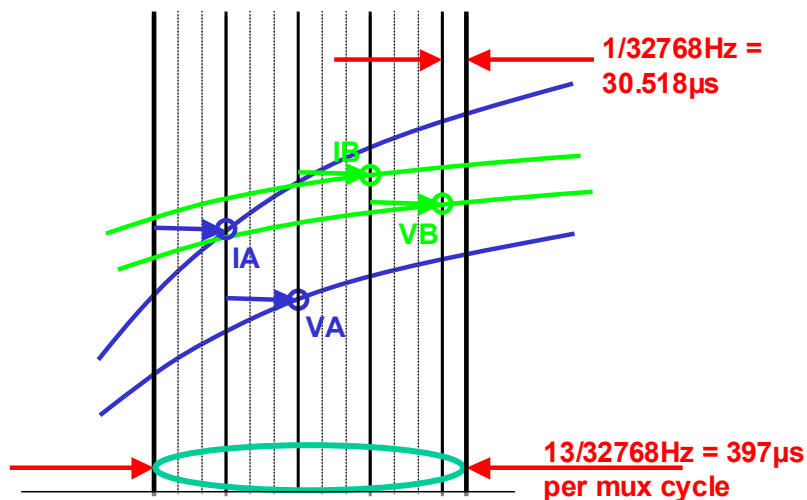
### CE Functional Overview

The ADC processes one sample per channel per multiplexer cycle. Figure 4 shows the timing of the samples taken during one multiplexer cycle.

The number of samples processed during one accumulation cycle is controlled by the I/O RAM registers  $PRE\_SAMPS$  (0x2001[7:6]) and  $SUM\_CYCLES$  (0x2001[5:0]). The integration time for each energy output is

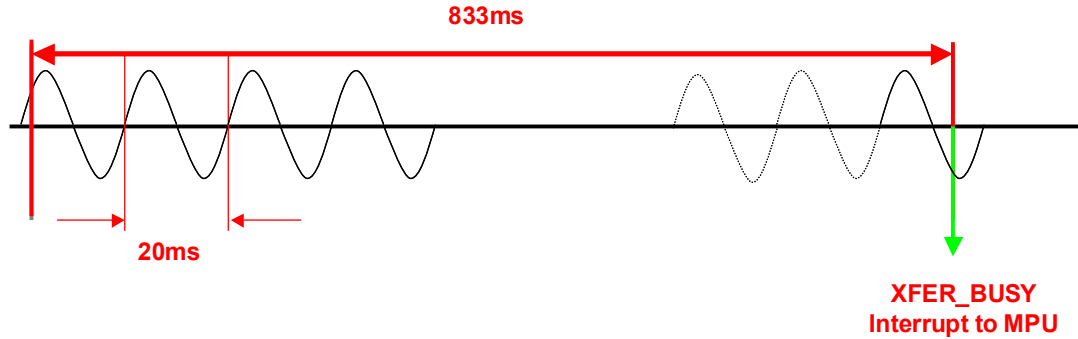
$$PRE\_SAMPS * SUM\_CYCLES / 2520.6, \text{ where } 2520.6 \text{ is the sample rate [Hz]}$$

For example,  $PRE\_SAMPS = 42$  and  $SUM\_CYCLES = 50$  will establish 2100 samples per accumulation cycle.  $PRE\_SAMPS = 100$  and  $SUM\_CYCLES = 21$  will result in the exact same accumulation cycle of 2100 samples or 833ms. After an accumulation cycle is completed, the XFER\_BUSY interrupt signals to the MPU that accumulated data are available.



**Figure 4: Samples from Multiplexer Cycle**

The end of each multiplexer cycle is signaled to the MPU by the CE\_BUSY interrupt. At the end of each multiplexer cycle, status information, such as sag data and the digitized input signal, is available to the MPU.



**Figure 5: Accumulation Interval**

Figure 5 shows the accumulation interval resulting from  $PRE\_SAMPS = 42$  and  $SUM\_CYCLES = 50$ , consisting of 2100 samples of  $397\mu s$  each, followed by the XFER\_BUSY interrupt.

There is no correlation between the line signal frequency and the choice of  $PRE\_SAMPS$  or  $SUM\_CYCLES$  (even though when  $SUM\_CYCLES = 42$  one set of  $SUM\_CYCLES$  happens to sample a period of 16.6ms). Furthermore, sampling does not have to start when the line voltage crosses the zero line, and the length of the accumulation interval need not be an integer multiple of the signal cycles.

It is important to note that the length of the accumulation interval, as determined by  $N_{ACC}$ , the product of  $SUM\_CYCLES$  and  $PRE\_SAMPS$ , is not an exact multiple of 1000ms. For example, if  $SUM\_CYCLES = 60$ , and  $PRE\_SAMPS = 00$  (42), the resulting accumulation interval is:

$$\tau = \frac{N_{ACC}}{f_s} = \frac{60 \cdot 42}{\frac{32768Hz}{13}} = \frac{2520}{2520.62Hz} = 999.75ms$$

This means that accurate time measurements should not be based on the accumulation interval without correction.



### 80515 MPU Core

The 71M6521BE includes an 80515 MPU (8-bit, 8051-compatible) that processes most instructions in one clock cycle. Using a 5MHz clock results in a processing throughput of 5 MIPS. The 80515 architecture eliminates redundant bus states and implements parallel execution of fetch and execution phases. Normally a machine cycle is aligned with a memory fetch, therefore, most of the 1-byte instructions are performed in a single cycle. This leads to an 8x performance (in average) improvement (in terms of MIPS) over the Intel 8051 device running at the same clock frequency.

Actual processor clocking speed can be adjusted to the total processing demand of the application (metering calculations, AMR management, memory management, LCD driver management and I/O management) using the I/O RAM register *MPU\_DIV[2:0]*.

Typical measurement and metering functions based on the results provided by the internal 32-bit compute engine (CE) are available for the MPU as part of TERIDIAN's standard library. A standard ANSI "C" 80515-application programming interface library is available to help reduce design cycle.

### Memory Organization

The 80515 MPU core incorporates the Harvard architecture with separate code and data spaces.

Memory organization in the 80515 is similar to that of the industry standard 8051. There are three memory areas: Program memory (Flash), external data memory (XRAM), physically consisting of XRAM, CE DRAM, and I/O RAM, and internal data memory (Internal RAM). Table 3 shows the memory map.

Address (hex)	Memory Technology	Memory Type	Typical Usage	Wait States (at 5MHz)	Memory Size (bytes)
0000-1FFF	Flash Memory	Non-volatile	MPU Program and non-volatile data	0	8K
on 1K boundary	Flash Memory	Non-volatile	CE program	0	2K
0000-07FF	Static RAM	Volatile	MPU data XRAM,	0	2K
1000-11FF	Static RAM	Volatile	CE data	6	512
2000-20FF	Static RAM	Volatile	Configuration RAM I/O RAM	0	256

**Table 3: Memory Map**

**Internal and External Data Memory:** Both internal and external data memory are physically located on the 71M6521BE IC. "External" data memory is only external to the 80515 MPU core.

**Program Memory:** The 80515 can theoretically address up to 64KB of program memory space from 0x0000 to 0xFFFF. Program memory is read when the MPU fetches instructions or performs a MOV<sub>C</sub> operation.

After reset, the MPU starts program execution from location 0x0000. The lower part of the program memory includes reset and interrupt vectors. The interrupt vectors are spaced at 8-byte intervals, starting from 0x0003.

**External Data Memory:** While the 80515 is capable of addressing up to 64KB of external data memory in the space from 0x0000 to 0xFFFF, **only the memory ranges shown in Error! Reference source not found. contain physical memory.** The 80515 writes into external data memory when the MPU executes a MOV<sub>X</sub> @R<sub>i</sub>,A or MOV<sub>X</sub> @DPTR,A instruction. The MPU reads external data memory by executing a MOV<sub>X</sub> A,@R<sub>i</sub> or MOV<sub>X</sub> A,@DPTR instruction (SFR USR2 provides the upper 8 bytes for the MOV<sub>X</sub> A,@R<sub>i</sub> instruction).

**Clock Stretching:** MOV<sub>X</sub> instructions can access fast or slow external RAM and external peripherals. The three low order bits of the CKCON register define the stretch memory cycles. Setting all the CKCON stretch bits to one allows access to very slow external RAM or external peripherals.



Table 4 shows how the signals of the External Memory Interface change when stretch values are set from 0 to 7. The widths of the signals are counted in MPU clock cycles. The post-reset state of the *CKCON* register, which is in bold in the table, performs the MOVX instructions with a stretch value equal to 1.

<i>CKCON</i> register			Stretch Value	Read signals width		Write signal width	
<i>CKCON.2</i>	<i>CKCON.1</i>	<i>CKCON.0</i>		memaddr	memrd	memaddr	memwr
0	0	0	0	1	1	2	1
0	0	1	1	2	2	3	1
0	1	0	2	3	3	4	2
0	1	1	3	4	4	5	3
1	0	0	4	5	5	6	4
1	0	1	5	6	6	7	5
1	1	0	6	7	7	8	6
1	1	1	7	8	8	9	7

**Table 4: Stretch Memory Cycle Width**

There are two types of instructions, differing in whether they provide an eight-bit or sixteen-bit indirect address to the external data RAM.

In the first type (MOVX A,@Ri), the contents of R0 or R1, in the current register bank, provide the eight lower-ordered bits of address. The eight high-ordered bits of address are specified with the *USR2* SFR. This method allows the user paged access (256 pages of 256 bytes each) to all ranges of the external data RAM. In the second type of MOVX instruction (MOVX A,@DPTR), the data pointer generates a sixteen-bit address. This form is faster and more efficient when accessing very large data arrays (up to 64 Kbytes), since no additional instructions are needed to set up the eight high ordered bits of address.

It is possible to mix the two MOVX types. This provides the user with four separate data pointers, two with direct access and two with paged access to the entire 64KB of external memory range.

**Dual Data Pointer:** The Dual Data Pointer accelerates the block moves of data. The standard *DPTR* is a 16-bit register that is used to address external memory or peripherals. In the 80515 core, the standard data pointer is called *DPTR*, the second data pointer is called *DPTR1*. The data pointer select bit chooses the active pointer. The data pointer select bit is located at the LSB of the *DPS* register (*DPS.0*). *DPTR* is selected when *DPS.0* = 0 and *DPTR1* is selected when *DPS.0* = 1.

The user switches between pointers by toggling the LSB of the *DPS* register. All *DPTR*-related instructions use the currently selected data pointer for any activity.

**The second data pointer may not be supported by certain compilers.**

**Internal Data Memory:** The Internal data memory provides 256 bytes (0x00 to 0xFF) of data memory. The internal data memory address is always one byte wide and can be accessed by either direct or indirect addressing. The Special Function Registers occupy the upper 128 bytes. **This SFR area is available only by direct addressing. Indirect addressing accesses the upper 128 bytes of Internal RAM.**

**Internal Data Memory:** The lower 128 bytes contain working registers and bit-addressable memory. The lower 32 bytes form four banks of eight registers (R0-R7). Two bits on the program memory status word (*PSW*) select which bank is in use. The next 16 bytes form a block of bit-addressable memory space at bit addressees 0x00-0x7F. All of the bytes in the lower 128 bytes are accessible through direct or indirect addressing. Table 5 shows the internal data memory map.

Address	Direct addressing	Indirect addressing
0xFF	Special Function Registers (SFRs)	RAM
0x80		
0x7F	Byte-addressable area	
0x30		
0x2F	Bit-addressable area	
0x20		
0x1F	Register banks R0...R7	
0x00		

**Table 5: Internal Data Memory Map**

### Special Function Registers (SFRs)

A map of the Special Function Registers is shown in Table 6.

Hex\Bin	Bit-addressable	Byte-addressable							Bin/Hex
	X000	X001	X010	X011	X100	X101	X110	X111	
<b>F8</b>	<i><b>INTBITS</b></i>								<b>FF</b>
<b>F0</b>	<i>B</i>								<b>F7</b>
<b>E8</b>	<i><b>WDI</b></i>								<b>EF</b>
<b>E0</b>	<i>A</i>								<b>E7</b>
<b>D8</b>	<i>WDCON</i>								<b>DF</b>
<b>D0</b>	<i>PSW</i>								<b>D7</b>
<b>C8</b>	<i>T2CON</i>								<b>CF</b>
<b>C0</b>	<i>IRCON</i>								<b>C7</b>
<b>B8</b>	<i>IEN1</i>	<i>IP1</i>	<i>SORELH</i>	<i>SIRELH</i>				<i>USR2</i>	<b>BF</b>
<b>B0</b>			<i><b>FLSHCTL</b></i>					<i><b>PGADR</b></i>	<b>B7</b>
<b>A8</b>	<i>IEN0</i>	<i>IP0</i>	<i>SORELL</i>						<b>AF</b>
<b>A0</b>	<i><b>P2</b></i>	<i><b>DIR2</b></i>	<i><b>DIR0</b></i>						<b>A7</b>
<b>98</b>	<i>SOCON</i>	<i>SOBUF</i>	<i>IEN2</i>	<i>SICON</i>	<i>SIBUF</i>	<i>SIRELL</i>	<i>EEDATA</i>	<i>EECTRL</i>	<b>9F</b>
<b>90</b>	<i><b>P1</b></i>	<i><b>DIR1</b></i>	<i>DPS</i>		<i><b>ERASE</b></i>				<b>97</b>
<b>88</b>	<i>TCON</i>	<i>TMOD</i>	<i>TL0</i>	<i>TL1</i>	<i>TH0</i>	<i>TH1</i>	<i>CKCON</i>		<b>8F</b>
<b>80</b>	<i><b>P0</b></i>	<i>SP</i>	<i>DPL</i>	<i>DPH</i>	<i>DPL1</i>	<i>DPH1</i>	<i>WDTREL</i>	<i>PCON</i>	<b>87</b>

**Table 6: Special Function Registers Locations**

Only a few addresses are occupied, the others are not implemented. SFRs specific to the 6521BE are shown in **bold** print. Any read access to unimplemented addresses will return undefined data, while any write access will have no effect. The registers at 0x80, 0x88, 0x90, etc., are bit-addressable, all others are byte-addressable.

### Special Function Registers (Generic 80515 SFRs)

Table 7 shows the location of the SFRs and the value they assume at reset or power-up.

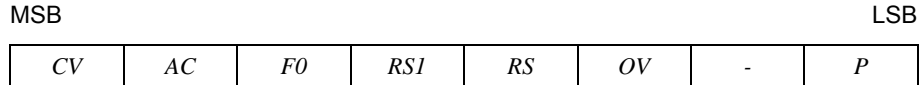
Name	Location	Reset Value	Description
<i>P0</i>	0x80	0xFF	Port 0
<i>SP</i>	0x81	0x07	Stack Pointer
<i>DPL</i>	0x82	0x00	Data Pointer Low 0
<i>DPH</i>	0x83	0x00	Data Pointer High 0
<i>DPL1</i>	0x84	0x00	Data Pointer Low 1
<i>DPH1</i>	0x85	0x00	Data Pointer High 1
<i>WDTREL</i>	0x86	0x00	Watchdog Timer Reload register
<i>PCON</i>	0x87	0x00	UART Speed Control
<i>TCON</i>	0x88	0x00	Timer/Counter Control
<i>TMOD</i>	0x89	0x00	Timer Mode Control
<i>TL0</i>	0x8A	0x00	Timer 0, low byte
<i>TL1</i>	0x8B	0x00	Timer 1, high byte
<i>TH0</i>	0x8C	0x00	Timer 0, low byte
<i>TH1</i>	0x8D	0x00	Timer 1, high byte
<i>CKCON</i>	0x8E	0x01	Clock Control (Stretch=1)
<i>P1</i>	0x90	0xFF	Port 1
<i>DPS</i>	0x92	0x00	Data Pointer select Register
<i>S0CON</i>	0x98	0x00	Serial Port 0, Control Register
<i>S0BUF</i>	0x99	0x00	Serial Port 0, Data Buffer
<i>IEN2</i>	0x9A	0x00	Interrupt Enable Register 2
<i>S1CON</i>	0x9B	0x00	Serial Port 1, Control Register
<i>S1BUF</i>	0x9C	0x00	Serial Port 1, Data Buffer
<i>S1RELL</i>	0x9D	0x00	Serial Port 1, Reload Register, low byte
<i>P2</i>	0xA0	0x00	Port 2
<i>IEN0</i>	0xA8	0x00	Interrupt Enable Register 0
<i>IPO</i>	0xA9	0x00	Interrupt Priority Register 0
<i>S0RELL</i>	0xAA	0xD9	Serial Port 0, Reload Register, low byte
<i>IEN1</i>	0xB8	0x00	Interrupt Enable Register 1
<i>IP1</i>	0xB9	0x00	Interrupt Priority Register 1
<i>S0RELH</i>	0xBA	0x03	Serial Port 0, Reload Register, high byte
<i>S1RELH</i>	0xBB	0x03	Serial Port 1, Reload Register, high byte
<i>USR2</i>	0xBF	0x00	User 2 Port, high address byte for MOVX@Ri
<i>IRCON</i>	0xC0	0x00	Interrupt Request Control Register
<i>T2CON</i>	0xC8	0x00	Polarity for INT2 and INT3
<i>PSW</i>	0xD0	0x00	Program Status Word
<i>WDCON</i>	0xD8	0x00	Baud Rate Control Register (only <i>WDCON.7</i> bit used)
<i>A</i>	0xE0	0x00	Accumulator
<i>B</i>	0xF0	0x00	B Register

**Table 7: Special Function Registers Reset Values**

**Accumulator (ACC, A):** ACC is the accumulator register. Most instructions use the accumulator to hold the operand. The mnemonics for accumulator-specific instructions refer to accumulator as “A”, not ACC.

**B Register:** The B register is used during multiply and divide instructions. It can also be used as a scratch-pad register to hold temporary data.

Program Status Word (*PSW*):



**Table 8: PSW Register Flags**

Bit	Symbol	Function															
<i>PSW.7</i>	<i>CV</i>	Carry flag															
<i>PSW.6</i>	<i>AC</i>	Auxiliary Carry flag for BCD operations															
<i>PSW.5</i>	<i>F0</i>	General purpose Flag 0 available for user.  <div style="display: flex; align-items: center;"> <p><b><i>F0</i> is not to be confused with the <i>F0</i> flag in the CE STATUS register.</b></p> </div>															
<i>PSW.4</i>	<i>RSI</i>	Register bank select control bits. The contents of RS1 and RS0 select the working register bank: <table border="1" style="margin: 10px auto; border-collapse: collapse;"> <thead> <tr style="background-color: #ffffcc;"> <th style="text-align: center;"><i>RSI/RS0</i></th> <th style="text-align: center;">Bank selected</th> <th style="text-align: center;">Location</th> </tr> </thead> <tbody> <tr> <td style="text-align: center;">00</td> <td style="text-align: center;">Bank 0</td> <td style="text-align: center;">(0x00 – 0x07)</td> </tr> <tr> <td style="text-align: center;">01</td> <td style="text-align: center;">Bank 1</td> <td style="text-align: center;">(0x08 – 0x0F)</td> </tr> <tr> <td style="text-align: center;">10</td> <td style="text-align: center;">Bank 2</td> <td style="text-align: center;">(0x10 – 0x17)</td> </tr> <tr> <td style="text-align: center;">11</td> <td style="text-align: center;">Bank 3</td> <td style="text-align: center;">(0x18 – 0x1F)</td> </tr> </tbody> </table>	<i>RSI/RS0</i>	Bank selected	Location	00	Bank 0	(0x00 – 0x07)	01	Bank 1	(0x08 – 0x0F)	10	Bank 2	(0x10 – 0x17)	11	Bank 3	(0x18 – 0x1F)
<i>RSI/RS0</i>	Bank selected		Location														
00	Bank 0		(0x00 – 0x07)														
01	Bank 1		(0x08 – 0x0F)														
10	Bank 2	(0x10 – 0x17)															
11	Bank 3	(0x18 – 0x1F)															
<i>PSW.3</i>	<i>RS0</i>																
<i>PSW.2</i>	<i>OV</i>	Overflow flag															
<i>PSW.1</i>	-	User defined flag															
<i>PSW.0</i>	<i>P</i>	Parity flag, affected by hardware to indicate odd / even number of “one” bits in the Accumulator, i.e. even parity.															

**Table 9: PSW Bit Functions**

**Stack Pointer (*SP*):** The stack pointer is a 1-byte register initialized to 0x07 after reset. This register is incremented before PUSH and CALL instructions, causing the stack to begin at location 0x08.

**Data Pointer:** The data pointer (*DPTR*) is 2 bytes wide. The lower part is *DPL*, and the highest is *DPH*. It can be loaded as two registers (e.g. MOV DPL,#data8). It is generally used to access external code or data space (e.g. MOVC A,@A+DPTR or MOVX A,@DPTR respectively).

**Program Counter:** The program counter (*PC*) is 2 bytes wide initialized to 0x0000 after reset. This register is incremented when fetching operation code or when operating on data from program memory.

**Port Registers:** The I/O ports are controlled by Special Function Registers *P0*, *P1*, and *P2*. The contents of the SFR can be observed on corresponding pins on the chip. Writing a '1' to any of the ports (see Table 10) causes the corresponding pin to be at high level (V3P3), and writing a '0' causes the corresponding pin to be held at low level (GND). The data direction registers *DIR0*, *DIR1*, and *DIR2* define individual pins as input or output pins (see section Digital I/O for details).

Register	SFR Address	R/W	Description
<i>P0</i>	0x80	R/W	Register for port 0 read and write operations (pins DIO4...DIO7)
<i>DIR0</i>	0xA2	R/W	Data direction register for port 0. Setting a bit to 1 means that the corresponding pin is an output.
<i>P1</i>	0x90	R/W	Register for port 1 read and write operations (pins DIO8...DIO11, DIO14...DIO15)
<i>DIR1</i>	0x91	R/W	Data direction register for port 1.
<i>P2</i>	0xA0	R/W	Register for port 2 read and write operations (pins DIO16...DIO17)
<i>DIR2</i>	0xA1	R/W	Data direction register for port 2.

**Table 10: Port Registers**

All DIO ports on the chip are bi-directional. Each of them consists of a Latch (SFR '*P0*' to '*P2*'), an output driver, and an input buffer, therefore the MPU can output or read data through any of these ports. Even if a DIO pin is configured as an output, the state of the pin can still be read by the MPU, for example when counting pulses issued via DIO pins that are under CE control.




The technique of reading the status of or generating interrupts based on DIO pins configured as outputs, can be used to implement pulse counting.

### Special Function Registers Specific to the 71M6521BE

Table 11 shows the location and description of the 71M6521BE-specific SFRs.

Register	Alternative Name	SFR Address	R/W	Description
<i>ERASE</i>	<i>FLSH_ERASE</i>	0x94	W	This register is used to initiate either the Flash Mass Erase cycle or the Flash Page Erase cycle. Specific patterns are expected for <i>FLSH_ERASE</i> in order to initiate the appropriate Erase cycle (default = 0x00).  0x55 – Initiate Flash Page Erase cycle. Must be preceded by a write to <i>FLSH_PGADR</i> @ SFR 0xB7.  0xAA – Initiate Flash Mass Erase cycle. Must be preceded by a write to <i>FLSH_MEEN</i> @ SFR 0xB2 and the debug port must be enabled.  Any other pattern written to <i>FLSH_ERASE</i> will have no effect.
<i>PGADDR</i>	<i>FLSH_PGADR</i>	0xB7	R/W	Flash Page Erase Address register containing the flash memory page address (page 0 thru 127) that will be erased during the Page Erase cycle (default = 0x00).  Must be re-written for each new Page Erase cycle.
<i>EEDATA</i>		0x9E	R/W	I <sup>2</sup> C EEPROM interface data register
<i>EECTRL</i>		0x9F	R/W	I <sup>2</sup> C EEPROM interface control register. If the MPU wishes to write a byte of data to EEPROM, it places the data in <i>EEDATA</i> and then writes the 'Transmit' code to <i>EECTRL</i> . The write to <i>EECTRL</i> initiates the transmit sequence. See the EEPROM Interface section for a description of the command and status bits available for <i>EECTRL</i> .

<i>FLSHCRL</i>		0xB2	R/W	<p><u>Bit 0 (FLSH_PWE): Program Write Enable:</u>            0 – MOVX commands refer to XRAM Space, normal operation (default).            1 – MOVX @DPTR,A moves A to Program Space (Flash) @ DPTR.            This bit is automatically reset after each byte written to flash. Writes to this bit are inhibited when interrupts are enabled.</p> <p><u>Bit 1 (FLSH_MEEN): Mass Erase Enable:</u>            0 – Mass Erase disabled (default).            1 – Mass Erase enabled.            Must be re-written for each new Mass Erase cycle.</p> <p><u>Bit 6 (SECURE):</u>            Enables security provisions that prevent external reading of flash memory and CE program RAM. This bit is reset on chip reset and may only be set. Attempts to write zero are ignored.</p> <p><u>Bit 7 (PREBOOT):</u>            Indicates that the preboot sequence is active.</p>
<i>WDI</i>		0xE8	R/W	<p> <b>Only byte operations on the whole WDI register should be used when writing.</b> The byte must have all bits set except the bits that are to be cleared.</p> <p>The multi-purpose register <i>WDI</i> contains the following bits:</p> <p><u>Bit 0 (IE_XFER): XFER Interrupt Flag:</u>            This flag monitors the XFER_BUSY interrupt. It is set by hardware and must be cleared by the interrupt handler</p> <p><u>Bit 1: Reserved</u></p> <p><u>Bit 7 (WD_RST): WD Timer Reset:</u>            Read: Reads the <i>PLL_FALL</i> interrupt flag            Write 0: Clears the <i>PLL_FALL</i> interrupt flag            Write 1: Resets the watch dog timer</p>
<i>INTBITS</i>	INT0...INT6	0xF8	R	<p>Interrupt inputs. The MPU may read these bits to see the input to external interrupts INT0, INT1, up to INT6. These bits do not have any memory and are primarily intended for debug use</p>

**Table 11: Special Function Registers**

### Instruction Set

All instructions of the generic 8051 microcontroller are supported. A complete list of the instruction set and of the associated op-codes is contained in the 71M6521 Software User's Guide (SUG).

### UART

The 71M6521BE includes a UART (UART0) that can be programmed to communicate with a variety of AMR modules. A second UART (UART1) is connected to the optical port, as described in the optical port description.

The UART is a dedicated 2-wire serial interface, which can communicate with an external host processor at up to 38,400 bits/s ((with MPU clock = 1.2288MHz). The operation of each pin is as follows:

**RX:** Serial input data are applied at this pin. Conforming to RS-232 standard, the bytes are input LSB first.

**TX:** This pin is used to output the serial data. The bytes are output LSB first.

The 71M6521BE has several UART-related registers for the control and buffering of serial data. All UART transfers are programmable for parity enable, parity, 2 stop bits/1 stop bit and XON/XOFF options for variable communication baud rates from 300 to 38400 bps. Table 12 shows how the baud rates are calculated. Table 13 shows the selectable UART operation modes.

	Using Timer 1	Using Internal Baud Rate Generator
<b>UART0</b>	$2^{SMOD} * f_{CKMPU} / (384 * (256 - TH1))$	$2^{SMOD} * f_{CKMPU} / (64 * (2^{10} - SOREL))$
<b>UART1</b>	N/A	$f_{CKMPU} / (32 * (2^{10} - SIREL))$

**Note:** *SOREL* and *SIREL* are 10-bit values derived by combining bits from the respective timer reload registers. *SMOD* is the *SMOD* bit in the SFR *PCON*. *TH1* is the high byte of timer 1.

**Table 12: Baud Rate Generation**

	UART 0	UART 1
<b>Mode 0</b>	N/A	Start bit, 8 data bits, parity, stop bit, variable baud rate (internal baud rate generator)
<b>Mode 1</b>	Start bit, 8 data bits, stop bit, variable baud rate (internal baud rate generator or timer 1)	Start bit, 8 data bits, stop bit, variable baud rate (internal baud rate generator)
<b>Mode 2</b>	Start bit, 8 data bits, parity, stop bit, fixed baud rate 1/32 or 1/64 of $f_{CKMPU}$	N/A
<b>Mode 3</b>	Start bit, 8 data bits, parity, stop bit, variable baud rate (internal baud rate generator or timer 1)	N/A

**Table 13: UART Modes**



Parity of serial data is available through the P flag of the accumulator. Seven-bit serial modes with parity, such as those used by the FLAG protocol, can be simulated by setting and reading bit 7 of 8-bit output data. Seven-bit serial modes without parity can be simulated by setting bit 7 to a constant 1. 8-bit serial modes with parity can be simulated by setting and reading the 9<sup>th</sup> bit, using the control bits *TB80* (*SOCON.3*) and *TB81* (*SICON.3*) in the *SOCON* and *SICON* SFRs for transmit and *RB81* (*SICON.2*) for receive operations. *SM20* (*SOCON.5*) and *SM21* (*SICON.5*) can be used as handshake signals for inter-processor communication in multi-processor systems.

Serial Interface 0 Control Register (*SOCON*).

The function of the UART0 depends on the setting of the Serial Port Control Register *SOCON*.

MSB							LSB
<i>SM0</i>	<i>SM1</i>	<i>SM20</i>	<i>REN0</i>	<i>TB80</i>	<i>RB80</i>	<i>TIO</i>	<i>RIO</i>

**Table 14: The *SOCON* Register**

Serial Interface 1 Control Register (*S1CON*).

The function of the serial port depends on the setting of the Serial Port Control Register *SICON*.

MSB							LSB
<i>SM</i>	-	<i>SM21</i>	<i>REN1</i>	<i>TB81</i>	<i>RB81</i>	<i>TII</i>	<i>RII</i>

**Table 15: The *SICON* register**



Bit	Symbol	Function																				
<i>S0CON.7</i>	<i>SM0</i>	These two bits set the UART0 mode: <table border="1" style="margin: 5px auto;"> <thead> <tr style="background-color: yellow;"> <th>Mode</th> <th>Description</th> <th>SM0</th> <th>SM1</th> </tr> </thead> <tbody> <tr> <td>0</td> <td>N/A</td> <td>0</td> <td>0</td> </tr> <tr> <td>1</td> <td>8-bit UART</td> <td>0</td> <td>1</td> </tr> <tr> <td>2</td> <td>9-bit UART</td> <td>1</td> <td>0</td> </tr> <tr> <td>3</td> <td>9-bit UART</td> <td>1</td> <td>1</td> </tr> </tbody> </table>	Mode	Description	SM0	SM1	0	N/A	0	0	1	8-bit UART	0	1	2	9-bit UART	1	0	3	9-bit UART	1	1
Mode	Description		SM0	SM1																		
0	N/A		0	0																		
1	8-bit UART		0	1																		
2	9-bit UART		1	0																		
3	9-bit UART	1	1																			
<i>S0CON.6</i>	<i>SM1</i>																					
<i>S0CON.5</i>	<i>SM20</i>	Enables the inter-processor communication feature.																				
<i>S0CON.4</i>	<i>RENO</i>	If set, enables serial reception. Cleared by software to disable reception.																				
<i>S0CON.3</i>	<i>TB80</i>	The 9 <sup>th</sup> transmitted data bit in Modes 2 and 3. Set or cleared by the MPU, depending on the function it performs (parity check, multiprocessor communication etc.)																				
<i>S0CON.2</i>	<i>RB80</i>	In Modes 2 and 3 it is the 9 <sup>th</sup> data bit received. In Mode 1, if <i>SM20</i> is 0, <i>RB80</i> is the stop bit. In Mode 0 this bit is not used. Must be cleared by software																				
<i>S0CON.1</i>	<i>TIO</i>	Transmit interrupt flag, set by hardware after completion of a serial transfer. Must be cleared by software.																				
<i>S0CON.0</i>	<i>RIO</i>	Receive interrupt flag, set by hardware after completion of a serial reception. Must be cleared by software																				

**Table 16: The *S0CON* Bit Functions**

Bit	Symbol	Function												
<i>SICON.7</i>	<i>SM</i>	Sets the baud rate for UART1 <table border="1" style="margin: 5px auto;"> <thead> <tr style="background-color: yellow;"> <th><i>SM</i></th> <th>Mode</th> <th>Description</th> <th>Baud Rate</th> </tr> </thead> <tbody> <tr> <td>0</td> <td>A</td> <td>9-bit UART</td> <td>variable</td> </tr> <tr> <td>1</td> <td>B</td> <td>8-bit UART</td> <td>variable</td> </tr> </tbody> </table>	<i>SM</i>	Mode	Description	Baud Rate	0	A	9-bit UART	variable	1	B	8-bit UART	variable
<i>SM</i>	Mode	Description	Baud Rate											
0	A	9-bit UART	variable											
1	B	8-bit UART	variable											
<i>SICON.5</i>	<i>SM21</i>	Enables the inter-processor communication feature.												
<i>SICON.4</i>	<i>RENI</i>	If set, enables serial reception. Cleared by software to disable reception.												
<i>SICON.3</i>	<i>TB81</i>	The 9 <sup>th</sup> transmitted data bit in Mode A. Set or cleared by the MPU, depending on the function it performs (parity check, multiprocessor communication etc.)												
<i>SICON.2</i>	<i>RB81</i>	In Modes A and B, it is the 9 <sup>th</sup> data bit received. In Mode B, if <i>SM21</i> is 0, <i>RB81</i> is the stop bit. Must be cleared by software												
<i>SICON.1</i>	<i>TII</i>	Transmit interrupt flag, set by hardware after completion of a serial transfer. Must be cleared by software.												
<i>SICON.0</i>	<i>RII</i>	Receive interrupt flag, set by hardware after completion of a serial reception. Must be cleared by software												

**Table 17: The *SICON* Bit Functions**



### Timers and Counters

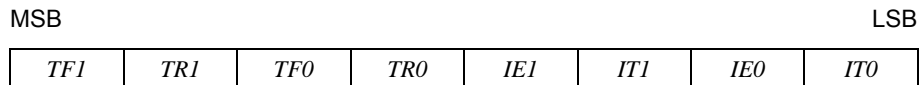
The 80515 has two 16-bit timer/counter registers: Timer 0 and Timer 1. These registers can be configured for counter or timer operations.

In timer mode, the register is incremented every machine cycle meaning that it counts up after every 12 periods of the MPU clock signal.

In counter mode, the register is incremented when the falling edge is observed at the corresponding input signal T0 or T1 (T0 and T1 are the timer gating inputs derived from certain DIO pins, see the DIO Ports chapter). Since it takes two machine cycles to recognize a 1-to-0 event, the maximum input count rate is 1/2 of the oscillator frequency. There are no restrictions on the duty cycle, however to ensure proper recognition of 0 or 1 state, an input should be stable for at least 1 machine cycle.

The timers/counters are controlled by the *TCON* Register

Timer/Counter Control Register (*TCON*)



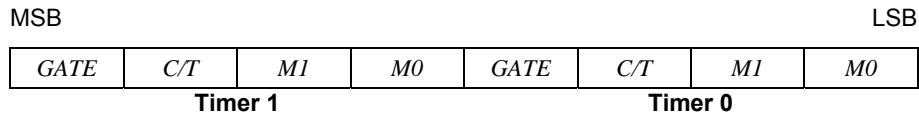
**Table 18: The *TCON* Register**

Bit	Symbol	Function
<i>TCON.7</i>	<i>TF1</i>	The Timer 1 overflow flag is set by hardware when Timer 1 overflows. This flag can be cleared by software and is automatically cleared when an interrupt is processed.
<i>TCON.6</i>	<i>TR1</i>	Timer 1 Run control bit. If cleared, Timer 1 stops.
<i>TCON.5</i>	<i>TF0</i>	Timer 0 overflow flag set by hardware when Timer 0 overflows. This flag can be cleared by software and is automatically cleared when an interrupt is processed.
<i>TCON.4</i>	<i>TR0</i>	Timer 0 Run control bit. If cleared, Timer 0 stops.
<i>TCON.3</i>	<i>IE1</i>	Interrupt 1 edge flag is set by hardware when the falling edge on external pin int1 is observed. Cleared when an interrupt is processed.
<i>TCON.2</i>	<i>IT1</i>	Interrupt 1 type control bit. Selects either the falling edge or low level on input pin to cause an interrupt.
<i>TCON.1</i>	<i>IE0</i>	Interrupt 0 edge flag is set by hardware when the falling edge on external pin int0 is observed. Cleared when an interrupt is processed.
<i>TCON.0</i>	<i>IT0</i>	Interrupt 0 type control bit. Selects either the falling edge or low level on input pin to cause interrupt.

**Table 19: The *TCON* Register Bit Functions**

Four operating modes can be selected for Timer 0 and Timer 1. Two Special Function Registers (*TMOD* and *TCON*) are used to select the appropriate mode.

Timer/Counter Mode Control register (*TMOD*):



**Table 20: The *TMOD* Register**

Bits *TR1* (*TCON.6*) and *TR0* (*TCON.4*) in the *TCON* register (see Table 18 and Table 19) start their associated timers when set.

Bit	Symbol	Function
<i>TMOD.7</i> <i>TMOD.3</i>	<i>Gate</i>	If set, enables external gate control (pin int0 or int1 for Counter 0 or 1, respectively). When int0 or int1 is high, and TRX bit is set (see <i>TCON</i> register), a counter is incremented every falling edge on T0 or T1 input pin
<i>TMOD.6</i> <i>TMOD.2</i>	<i>C/T</i>	Selects Timer or Counter operation. When set to 1, a Counter operation is performed. When cleared to 0, the corresponding register will function as a Timer.
<i>TMOD.5</i> <i>TMOD.1</i>	<i>MI</i>	Selects the mode for Timer/Counter 0 or Timer/Counter 1, as shown in <i>TMOD</i> description.
<i>TMOD.4</i> <i>TMOD.0</i>	<i>MO</i>	Selects the mode for Timer/Counter 0 or Timer/Counter 1, as shown in <i>TMOD</i> description.

**Table 21: *TMOD* Register Bit Description**

<i>MI</i>	<i>MO</i>	Mode	Function
0	0	Mode 0	13-bit Counter/Timer with 5 lower bits in the <i>TLO</i> or <i>TL1</i> register and the remaining 8 bits in the <i>TH0</i> or <i>TH1</i> register (for Timer 0 and Timer 1, respectively). The 3 high order bits of <i>TLO</i> and <i>TL1</i> are held at zero.
0	1	Mode 1	16-bit Counter/Timer.
1	0	Mode 2	8-bit auto-reload Counter/Timer. The reload value is kept in <i>TH0</i> or <i>TH1</i> , while <i>TLO</i> or <i>TL1</i> is incremented every machine cycle. When <i>TL(x)</i> overflows, a value from <i>TH(x)</i> is copied to <i>TL(x)</i> .
1	1	Mode 3	If Timer 1 <i>MI</i> and <i>MO</i> bits are set to '1', Timer 1 stops. If Timer 0 <i>MI</i> and <i>MO</i> bits are set to '1', Timer 0 acts as two independent 8-bit Timer/Counters.

**Table 22: Timers/Counters Mode Description**



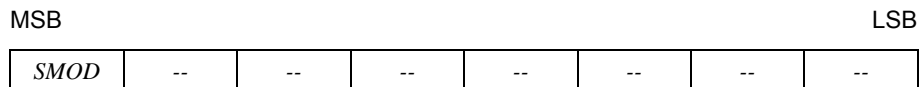
**Note:** In Mode 3, *TLO* is affected by *TR0* and gate control bits, and sets the *TF0* flag on overflow, while *TH0* is affected by the *TR1* bit, and the *TF1* flag is set on overflow.

Table 23 specifies the combinations of operation modes allowed for timer 0 and timer 1:

	Timer 1		
	Mode 0	Mode 1	Mode 2
Timer 0 - mode 0	YES	YES	YES
Timer 0 - mode 1	YES	YES	YES
Timer 0 - mode 2	Not allowed	Not allowed	YES

**Table 23: Timer Modes**

Timer/Counter Mode Control register (*PCON*):



**Table 24: The *PCON* Register**

The *SMOD* bit in the *PCON* register doubles the baud rate when set.

Bit	Symbol	Function
<i>PCON.7</i>	<i>SMOD</i>	

**Table 25: *PCON* Register Bit Description**

### **WD Timer (Software Watchdog Timer)**

The software watchdog timer is a 16-bit counter that is incremented once every 24 or 384 clock cycles. After a reset, the watchdog timer is disabled and all registers are set to zero. The watchdog consists of a 16-bit counter (*WDT*), a reload register (*WDTREL*), prescalers (by 2 and by 16), and control logic. Once the watchdog is started, it cannot be stopped unless the internal reset signal becomes active.



**Note:** It is recommended to use the hardware watchdog timer instead of the software watchdog timer.

**WD Timer Start Procedure:** The *WDT* is started by setting the *SWDT* flag. When the *WDT* register enters the state 0x7CFF, an asynchronous *WDTS* signal will become active. The signal *WDTS* sets bit 6 in the *IP0* register and requests a reset state. *WDTS* is cleared either by the reset signal or by changing the state of the *WDT* timer.

**Refreshing the WD Timer:** The watchdog timer must be refreshed regularly to prevent the reset request signal from becoming active. This requirement imposes an obligation on the programmer to issue two instructions. The first instruction sets *WDT* and the second instruction sets *SWDT*. The maximum delay allowed between setting *WDT* and *SWDT* is 12 clock cycles. If this period has expired and *SWDT* has not been set, the *WDT* is automatically reset, otherwise the watchdog timer is reloaded with the content of the *WDTREL* register and the *WDT* is automatically reset. Since the *WDT* requires exact timing, firmware needs to be designed with special care in order to avoid unwanted *WDT* resets.

**TERIDIAN strongly discourages the use of the software *WDT*.**

#### Special Function Registers for the WD Timer

Interrupt Enable 0 Register (*IEN0*):

MSB								LSB
<i>EAL</i>	<i>WDT</i>	<i>ET2</i>	<i>ES0</i>	<i>ET1</i>	<i>EX1</i>	<i>ET0</i>	<i>EX0</i>	

**Table 26: The *IEN0* Register (see also Table 32)**

Bit	Symbol	Function
<i>IEN0.6</i>	<i>WDT</i>	Watchdog timer refresh flag. Set to initiate a refresh of the watchdog timer. Must be set directly before <i>SWDT</i> is set to prevent an unintentional refresh of the watchdog timer. <i>WDT</i> is reset by hardware 12 clock cycles after it has been set.

**Table 27: The *IEN0* Bit Functions (see also Table 32)**



Note: The remaining bits in the *IEN0* register are not used for watchdog control

Interrupt Enable 1 Register (*IEN1*):

MSB								LSB
<i>EXEN2</i>	<i>SWDT</i>	<i>EX6</i>	<i>EX5</i>	<i>EX4</i>	<i>EX3</i>	<i>EX2</i>		

**Table 28: The *IEN1* Register (see also Tables 30/31)**

Bit	Symbol	Function
<i>IEN1.6</i>	<i>SWDT</i>	Watchdog timer start/refresh flag. Set to activate/refresh the watchdog timer. When directly set after setting <i>WDT</i> , a watchdog timer refresh is performed. Bit <i>SWDT</i> is reset by the hardware 12 clock cycles after it has been set.

**Table 29: The *IEN1* Bit Functions (see also Tables 31/32)**



Note: The remaining bits in the *IEN1* register are not used for watchdog control

**Interrupt Priority 0 Register (IP0):**

MSB				LSB			
--	WDTS	IP0.5	IP0.4	IP0.3	IP0.2	IP0.1	IP0.0

**Table 30: The IP0 Register (see also Table 45)**

Bit	Symbol	Function
IP0.6	WDTS	Watchdog timer status flag. Set when the watchdog timer was started. Can be read by software.

**Table 31: The IP0 bit Functions (see also Table 45)**



Note: The remaining bits in the IP0 register are not used for watchdog control

**Watchdog Timer Reload Register (WDTREL):**

MSB				LSB			
7	6	5	4	3	2	1	0

**Table 32: The WDTREL Register**

Bit	Symbol	Function
WDTREL.7	7	Prescaler select bit. When set, the watchdog is clocked through an additional divide-by-16 prescaler
WDTREL.6 to WDTREL.0	6-0	Seven bit reload value for the high-byte of the watchdog timer. This value is loaded to the WDT when a refresh is triggered by a consecutive setting of bits WDT and SWDT.

**Table 33: The WDTREL Bit Functions**

The WDTREL register can be loaded and read at any time.

### Interrupts

The 80515 provides 11 interrupt sources with four priority levels. Each source has its own request flag(s) located in a special function register (TCON, IRCON, and SCON). Each interrupt requested by the corresponding flag can be individually enabled or disabled by the enable bits in SFRs IEN0, IEN1, and IEN2.



**External interrupts are the interrupts external to the 80515 core, i.e. signals that originate in other parts of the 71M6521BE, for example the CE, DIO, EEPROM interface.**

### **Interrupt Overview**

When an interrupt occurs, the MPU will vector to the predetermined address as shown in Table 52. Once interrupt service has begun, it can be interrupted only by a higher priority interrupt. The interrupt service is terminated by a return from instruction, "RETI". When an RETI is performed, the processor will return to the instruction that would have been next when the interrupt occurred.

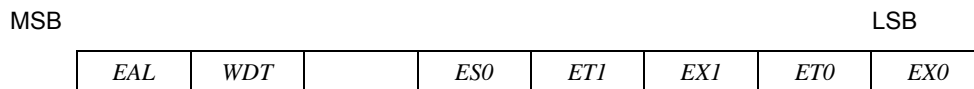
When an interrupt occurs, the MPU will vector to the predetermined address as shown in Table 52. Once interrupt service has begun, it can be interrupted only by a higher priority interrupt. The interrupt service is terminated by a return from instruction, "RETI". When a RETI instruction is performed, the processor will return to the instruction that would have been next when the interrupt occurred.

When the interrupt condition occurs, the processor will also indicate this by setting a flag bit. This bit is set regardless of whether the interrupt is enabled or disabled. Each interrupt flag is sampled once per machine cycle, then samples are polled by the hardware. If the sample indicates a pending interrupt when the interrupt is enabled, then the interrupt request flag is set. On the next instruction cycle, the interrupt will be acknowledged by hardware forcing an LCALL to the appropriate vector address, if the following conditions are met:

- No interrupt of equal or higher priority is already in progress.
- An instruction is currently being executed and is not completed.
- The instruction in progress is not RETI or any write access to the registers *IEN0*, *IEN1*, *IEN2*, *IPO* or *IP1*.

Special Function Registers for Interrupts:

Interrupt Enable 0 register (*IEN0*)

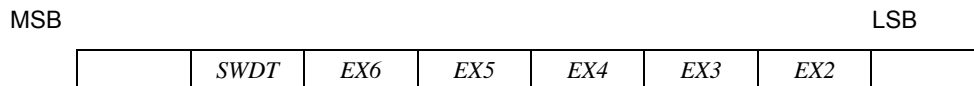


**Table 34: The *IEN0* Register**

Bit	Symbol	Function
<i>IEN0.7</i>	<i>EAL</i>	EAL=0 – disable all interrupts
<i>IEN0.6</i>	<i>WDT</i>	Not used for interrupt control
<i>IEN0.5</i>	-	
<i>IEN0.4</i>	<i>ES0</i>	ES0=0 – disable serial channel 0 interrupt
<i>IEN0.3</i>	<i>ET1</i>	ET1=0 – disable timer 1 overflow interrupt
<i>IEN0.2</i>	<i>EX1</i>	EX1=0 – disable external interrupt 1
<i>IEN0.1</i>	<i>ET0</i>	ET0=0 – disable timer 0 overflow interrupt
<i>IEN0.0</i>	<i>EX0</i>	EX0=0 – disable external interrupt 0

**Table 35: The *IEN0* Bit Functions**

Interrupt Enable 1 Register (*IEN1*)

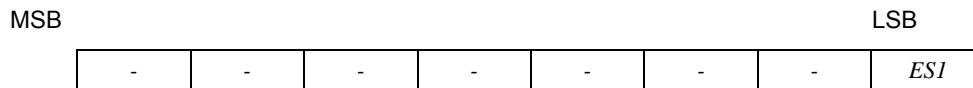


**Table 36: The *IEN1* Register**

Bit	Symbol	Function
<i>IEN1.7</i>	-	
<i>IEN1.6</i>	<i>SWDT</i>	Not used for interrupt control
<i>IEN1.5</i>	<i>EX6</i>	<i>EX6</i> =0 – disable external interrupt 6
<i>IEN1.4</i>	<i>EX5</i>	<i>EX5</i> =0 – disable external interrupt 5
<i>IEN1.3</i>	<i>EX4</i>	<i>EX4</i> =0 – disable external interrupt 4
<i>IEN1.2</i>	<i>EX3</i>	<i>EX3</i> =0 – disable external interrupt 3
<i>IEN1.1</i>	<i>EX2</i>	<i>EX2</i> =0 – disable external interrupt 2
<i>IEN1.0</i>	-	

**Table 37: The *IEN1* Bit Functions**

Interrupt Enable 2 register (*IE2*)

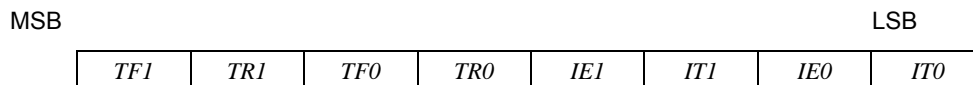


**Table 38: The *IEN2* Register**

Bit	Symbol	Function
<i>IEN2.0</i>	<i>ESI</i>	<i>ESI</i> =0 – disable serial channel 1 interrupt

**Table 39: The *IEN2* Bit Functions**

Timer/Counter Control register (*TCON*)



**Table 40: The *TCON* Register**

Bit	Symbol	Function
<i>TCON.7</i>	<i>TF1</i>	Timer 1 overflow flag
<i>TCON.6</i>	<i>TR1</i>	Not used for interrupt control
<i>TCON.5</i>	<i>TF0</i>	Timer 0 overflow flag
<i>TCON.4</i>	<i>TR0</i>	Not used for interrupt control
<i>TCON.3</i>	<i>IE1</i>	External interrupt 1 flag
<i>TCON.2</i>	<i>IT1</i>	External interrupt 1 type control bit
<i>TCON.1</i>	<i>IE0</i>	External interrupt 0 flag
<i>TCON.0</i>	<i>IT0</i>	External interrupt 0 type control bit

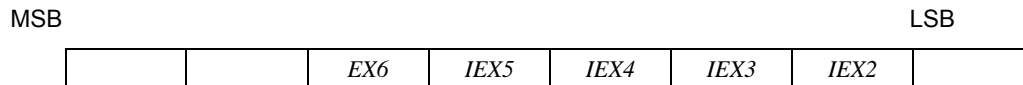
**Table 41: The *TCON* Bit Functions**

Timer2/Counter2 Control register (*T2CON*):

Bit	Symbol	Function
<i>T2CON.7</i>	--	Not used
<i>T2CON.6</i>	<i>I3FR</i>	Polarity control for INT3: 0 - falling edge, 1 – rising edge
<i>T2CON.5</i>	<i>I2FR</i>	Polarity control for INT3: 0 - falling edge, 1 – rising edge
<i>TCON.4 ... T2CON0</i>	--	Not used

**Table 42: The *T2CON* Bit Functions**

Interrupt Request register (*IRCON*)



**Table 43: The *IRCON* Register**

Bit	Symbol	Function
<i>IRCON.7</i>	-	
<i>IRCON.6</i>	-	
<i>IRCON.5</i>	<i>IEX6</i>	External interrupt 6 edge flag
<i>IRCON.4</i>	<i>IEX5</i>	External interrupt 5 edge flag
<i>IRCON.3</i>	<i>IEX4</i>	External interrupt 4 edge flag
<i>IRCON.2</i>	<i>IEX3</i>	External interrupt 3 edge flag
<i>IRCON.1</i>	<i>IEX2</i>	External interrupt 2 edge flag
<i>IRCON.0</i>	-	

**Table 44: The *IRCON* Bit Functions**



Note: Only *TF0* and *TF1* (timer 0 and timer 1 overflow flag) will be automatically cleared by hardware when the service routine is called (Signals T0ACK and T1ACK – port ISR – active high when the service routine is called).



### External Interrupts

The 71M6521BE MPU allows seven external interrupts. These are connected as shown in Table 45. The direction of interrupts 2 and 3 is programmable in the MPU. Interrupts 2 and 3 should be programmed for falling sensitivity. The generic 8051 MPU literature states that interrupt 4 through 6 are defined as rising edge sensitive. Thus, the hardware signals attached to interrupts 5 and 6 are inverted to achieve the edge polarity shown in Table 45.

External Interrupt	Connection	Polarity	Flag Reset
0	Digital I/O High Priority	see <i>DIO_Rx</i>	automatic
1	Digital I/O Low Priority	see <i>DIO_Rx</i>	automatic
2	FWCOL0, FWCOL1	falling	automatic
3	CE_BUSY	falling	automatic
4	PLL_OK (rising), PLL_OK (falling)	rising	automatic
5	EEPROM busy	falling	automatic
6	XFER_BUSY	falling	manual

**Table 45: External MPU Interrupts**

FWCOLx interrupts occur when the CE collides with a flash write attempt. See the flash write description for more detail.

SFR (special function register) enable bits must be set to permit any of these interrupts to occur. Likewise, each interrupt has its own flag bit, which is set by the interrupt hardware, and reset by the MPU interrupt handler. Note that XFER\_BUSY, FWCOL0, FWCOL1, PLLRISE, PLLFALL, have their own enable and flag bits in addition to the interrupt 6, 4, and 2 enable and flag bits.

*IE0* through *IEX6* are cleared automatically when the hardware vectors to the interrupt handler. The other flags, *IE\_XFER* through *IE\_PB*, are cleared by writing a zero to them. Since these bits are in a bit-addressable SFR byte, common practice would be to clear them with a bit operation. This is to be avoided. The hardware implements bit operations as a byte wide read-modify-write hardware macro. If an interrupt occurs after the read, but before the write, its flag will be cleared unintentionally. The proper way to clear the flag bits is to write a byte mask consisting of all ones except for a zero in the location of the bit to be cleared. The flag bits are configured in hardware to ignore ones written to them.

Interrupt Enable		Interrupt Flag		Interrupt Description
Name	Location	Name	Location	
<i>EX0</i>	SFR A8[0]	<i>IE0</i>	SFR 88[1]	External interrupt 0
<i>EX1</i>	SFR A8[2]	<i>IE1</i>	SFR 88[3]	External interrupt 1
<i>EX2</i>	SFR B8[1]	<i>IEX2</i>	SFR C0[1]	External interrupt 2
<i>EX3</i>	SFR B8[2]	<i>IEX3</i>	SFR C0[2]	External interrupt 3
<i>EX4</i>	SFR B8[3]	<i>IEX4</i>	SFR C0[3]	External interrupt 4
<i>EX5</i>	SFR B8[4]	<i>IEX5</i>	SFR C0[4]	External interrupt 5
<i>EX6</i>	SFR B8[5]	<i>IEX6</i>	SFR C0[5]	External interrupt 6
<i>EX_XFER</i>	2002[0]	<i>IE_XFER</i>	SFR E8[0]	XFER_BUSY interrupt (int 6)
<i>EX_FWCOL</i>	2007[4]	<i>IE_FWCOL0</i>	SFR E8[3]	FWCOL0 interrupt (int 2)
		<i>IE_FWCOL1</i>	SFR E8[2]	FWCOL1 interrupt (int 2)
<i>EX_PLL</i>	2007[5]	<i>IE_PLLRISE</i>	SFRE8[6]	PLL_OK rise interrupt (int 4)
		<i>IE_PLLFALL</i>	SFRE8[7]	PLL_OK fall interrupt (int 4)
		<i>IE_WAKE</i>	SFRE8[5]	AUTOWAKE flag
		<i>IE_PB</i>	SFRE8[4]	PB flag

**Table 46: Interrupt Enable and Flag Bits**

The *AUTOWAKE* and *PB* flag bits are shown in Table 46 because they behave similarly to interrupt flags, even though they are not actually related to an interrupt. These bits are set by hardware when the MPU wakes from a push button or wake timeout. The bits are reset by writing a zero. Note that the *PB* flag is set whenever the *PB* is pushed, even if the part is already awake.

Each interrupt has its own flag bit, which is set by the interrupt hardware and is reset automatically by the MPU interrupt handler (0 through 5). *XFER\_BUSY* has its own enable and flag bit in addition to the interrupt 6 enable and flag bit (see Table 46), and these interrupts must be cleared by the MPU software.

The external interrupts are connected as shown in Table 46. The polarity of interrupts 2 and 3 is programmable in the MPU via the *I3FR* and *I2FR* bits in *T2CON*. Interrupts 2 and 3 should be programmed for falling sensitivity. The generic 8051 MPU literature states that interrupts 4 through 6 are defined as rising edge sensitive. Thus, the hardware signals attached to interrupts 5 and 6 are inverted to achieve the edge polarity shown in Table 46.

SFR (special function register) enable bits must be set to permit any of these interrupts to occur. Likewise, each interrupt has its own flag bit that is set by the interrupt hardware and is reset automatically by the MPU interrupt handler (0 through 5).

### Interrupt Priority Level Structure

All interrupt sources are combined in groups, as shown in Table 47.

Each group of interrupt sources can be programmed individually to one of four priority levels by setting or clearing one bit in the special function register *IP0* and one in *IP1*. If requests of the same priority level are received simultaneously, an internal polling sequence as per Table 51 determines which request is serviced first.

An overview of the interrupt structure is given in Figure 6.

Group			
0	External interrupt 0	Serial channel 1 interrupt	
1	Timer 0 interrupt	-	External interrupt 2
2	External interrupt 1	-	External interrupt 3
3	Timer 1 interrupt	-	External interrupt 4
4	Serial channel 0 interrupt	-	External interrupt 5
5	-	-	External interrupt 6

**Table 47: Priority Level Groups**

IEN enable bits must be set to permit any of these interrupts to occur. Likewise, each interrupt has its own flag bit that is set by the interrupt hardware and is reset automatically by the MPU interrupt handler (0 through 5). *XFER\_BUSY* has its own enable and flag bit in addition to the interrupt 6 enable and flag bit (see Table 46) and this interrupt must be cleared by the MPU software.

Interrupt Priority 0 Register (*IP0*)

MSB								LSB
	--	<i>WDTS</i>	<i>IP0.5</i>	<i>IP0.4</i>	<i>IP0.3</i>	<i>IP0.2</i>	<i>IP0.1</i>	<i>IP0.0</i>

**Table 48: The *IP0* Register**

Note: *WDTS* is not used for interrupt controls

Interrupt Priority 1 Register (*IP1*)

MSB								LSB
	-	-	<i>IP1.5</i>	<i>IP1.4</i>	<i>IP1.3</i>	<i>IP1.2</i>	<i>IP1.1</i>	<i>IP1.0</i>

**Table 49: The *IP1* Register:**

<i>IPL.x</i>	<i>IP0.x</i>	Priority Level
0	0	Level0 (lowest)
0	1	Level1
1	0	Level2
1	1	Level3 (highest)

**Table 50: Priority Levels**

External interrupt 0	↓ Polling sequence
Serial channel 1 interrupt	
Timer 0 interrupt	
External interrupt 2	
External interrupt 1	
External interrupt 3	
Timer 1 interrupt	
External interrupt 4	
Serial channel 0 interrupt	
External interrupt 5	
External interrupt 6	

**Table 51: Interrupt Polling Sequence**

**Interrupt Sources and Vectors**

Table 52 shows the interrupts with their associated flags and vector addresses.

Interrupt Request Flag	Description	Interrupt Vector Address
<i>IE0</i>	External interrupt 0	0x0003
<i>TF0</i>	Timer 0 interrupt	0x000B
<i>IE1</i>	External interrupt 1	0x0013
<i>TF1</i>	Timer 1 interrupt	0x001B
<i>RI0/TI0</i>	Serial channel 0 interrupt	0x0023
<i>RI1/TI1</i>	Serial channel 1 interrupt	0x0083
<i>IEX2</i>	External interrupt 2	0x004B
<i>IEX3</i>	External interrupt 3	0x0053
<i>IEX4</i>	External interrupt 4	0x005B
<i>IEX5</i>	External interrupt 5	0x0063
<i>IEX6</i>	External interrupt 6	0x006B

**Table 52: Interrupt Vectors**

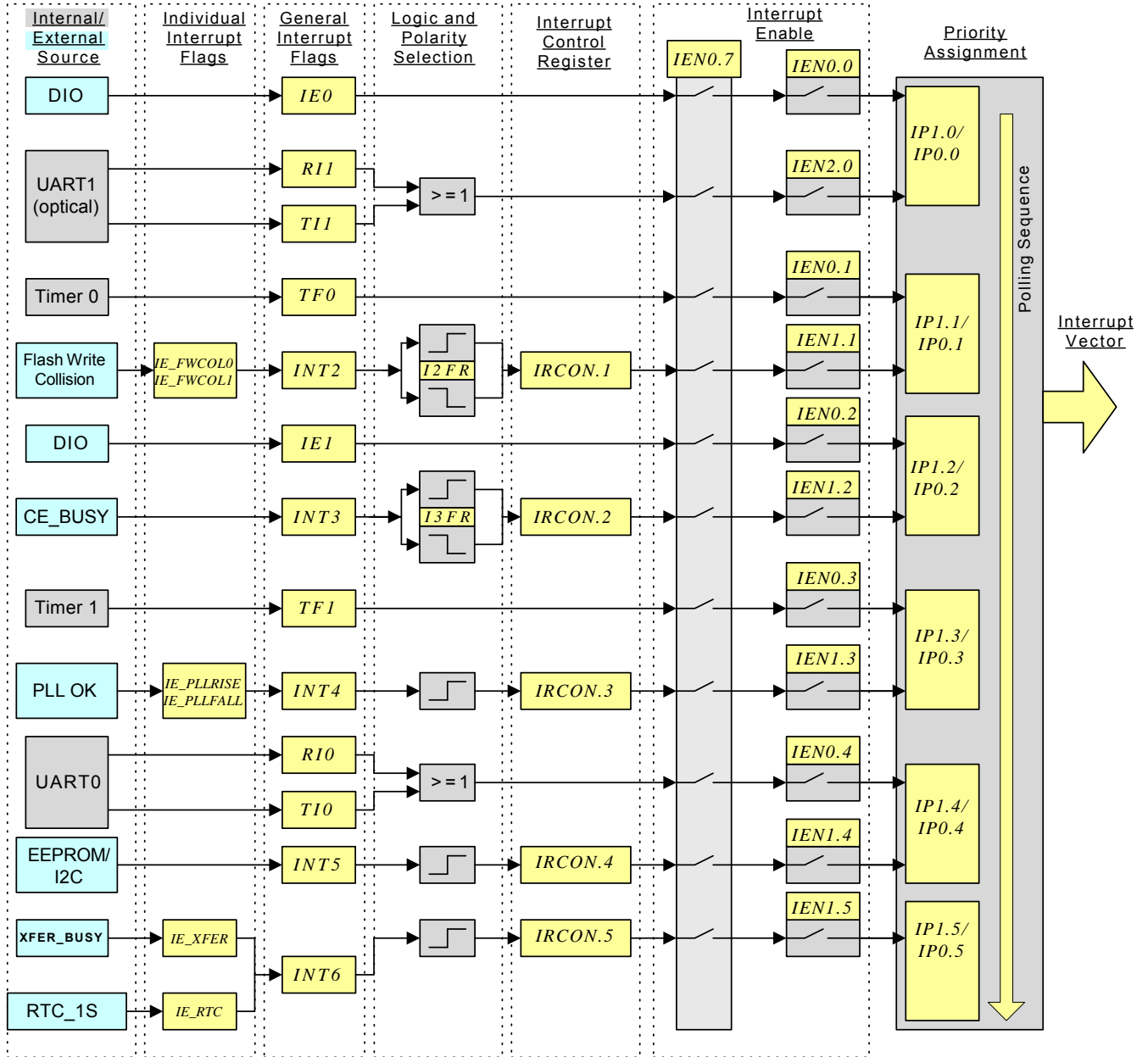


Figure 6: Interrupt Structure

## On-Chip Resources

### Oscillator

The 71M6521BE oscillator drives a standard 32.768kHz watch crystal. These crystals are accurate and do not require a high-current oscillator circuit. The 71M6521BE oscillator has been designed specifically to handle these crystals and is compatible with their high impedance and limited power handling capability.

### PLL and Internal Clocks

Timing for the device is derived from the 32.768kHz oscillator output. On-chip timing functions include the MPU master clock and the delta-sigma sample clock. In addition, the MPU has two general counter/timers (see MPU section).

The ADC master clock, CKADC, is generated by an on-chip PLL. It multiplies the oscillator output frequency (CK32) by 150. The CE clock frequency is always  $CK32 * 150$ , or 4.9152MHz, where CK32 is the 32kHz clock. The MPU clock frequency is determined by *MPU\_DIV* and can be  $4.9152MHz * 2^{-MPU\_DIV}$  Hz where *MPU\_DIV* varies from 0 to 7 (*MPU\_DIV* is 0 on power-up). This makes the MPU clock scalable from 4.9152MHz down to 38.4kHz. The circuit also generates a 2x MPU clock for use by the emulator. This clock is not generated when *ECK\_DIS* is asserted by the MPU.

The setting of *MPU\_DIV* is maintained when the device transitions to BROWNOUT mode, but the time base in BROWNOUT mode is 28,672Hz.

### Temperature Sensor

The device includes an on-chip temperature sensor for determining the temperature of the bandgap reference. The MPU may request an alternate multiplexer frame containing the temperature sensor output by asserting *MUX\_ALT*. The primary use of the temperature data is to determine the magnitude of compensation required to offset the thermal drift in the system (see section titled "Temperature Compensation").

### Physical Memory

**Flash Memory:** The 71M6521 includes 8KB of on-chip flash memory. The flash memory primarily contains MPU and CE program code. It also contains images of the CE DRAM, MPU RAM, and I/O RAM. On power-up, before enabling the CE, the MPU copies these images to their respective locations.

Allocated flash space for the CE program cannot exceed 1024 words (2KB). The CE program must begin on a 1KB boundary of the flash address. The *CE\_LCTN[4:0]* word defines which 1KB boundary contains the CE code. Thus, the first CE instruction is located at  $1024 * CE\_LCTN[4:0]$ . The *CE\_LCTN[4:0]* register must be set before the CE is enabled.

The flash memory is segmented into 512 byte individually erasable pages.

The CE engine cannot access its program memory when flash write occurs. Thus, the flash write procedure is to begin a sequence of flash writes when *CE\_BUSY* falls (*CE\_BUSY* interrupt) and to make sure there is sufficient time to complete the sequence before *CE\_BUSY* rises again. The actual time for the flash write operation will depend on the exact number of cycles required by the CE program. Typically (CE program is 512 instructions, mux frame is 13 CK32 cycles), there will be 200µs of flash write time, enough for 4 bytes of flash write. If the CE code is shorter, there will be even more time.

Two interrupts warn of collisions between the 8051 firmware and the CE timing. If a flash write is attempted while the CE is busy, the flash write will not execute and the *FW\_COL0* interrupt will be issued. If a flash write is still in progress when the CE would otherwise begin a code pass, the code pass is skipped, the write is completed, and the *FW\_COL1* interrupt is issued.

The bit *FLASH66Z* (see I/O RAM table) defines the speed for accessing flash memory. To minimize supply current draw, this bit should be set to 1.

Flash erasure is initiated by writing a specific data pattern to specific SFR registers in the proper sequence. These special pattern/sequence requirements prevent inadvertent erasure of the flash memory.

The mass erase sequence is:

1. Write 1 to the *FLSH\_MEEN* bit (SFR address 0xB2[1]).
2. Write pattern 0xAA to *FLSH\_ERASE* (SFR address 0x94)

The mass erase cycle can only be initiated when the ICE port is enabled.



The page erase sequence is:

1. Write the page address to *FLSH\_PGADR* (SFR address 0xB7[7:1])
2. Write pattern 0x55 to *FLSH\_ERASE* (SFR address 0x94)

The MPU may write to the flash memory. This is one of the non-volatile storage options available to the user in addition to external EEPROM.

*FLSH\_PWE* (flash program write enable) differentiates 80515 data store instructions (*MOVX@DPTR,A*) between Flash and XRAM writes.

Updating individual bytes in flash memory:

The original state of a flash byte is 0xFF (all ones). Once, a value other than 0xFF is written to a flash memory cell, overwriting with a different value usually requires that the cell is erased first. Since cells cannot be erased individually, the page has to be copied to RAM, followed by a page erase. After this, the page can be updated in RAM and then written back to the flash memory.

**MPU RAM:** The 71M6521BE includes 2K-bytes of static RAM memory on-chip (XRAM) plus 256-bytes of internal RAM in the MPU core. The 2K-bytes of static RAM are used for data storage during normal MPU operations.

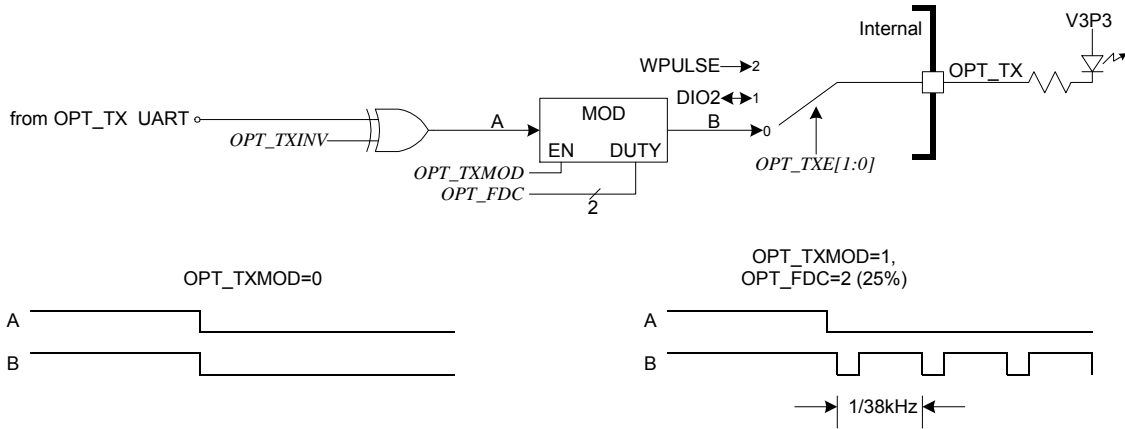
**CE DRAM:** The CE DRAM is the working data memory of the CE (128 32-bit words). The MPU can read and write the CE DRAM as the primary means of data communication between the two processors.

### **Optical Interface**

The device includes an interface to implement an IR/optical port. The pin *OPT\_Tx* is designed to directly drive an external LED for transmitting data on an optical link. The pin *OPT\_RX* is designed to sense the input from an external photo detector used as the receiver for the optical link. These two pins are connected to a dedicated UART port (UART1).

The *OPT\_TX* and *OPT\_RX* pins can be inverted with configuration bits *OPT\_TXINV* and *OPT\_RXINV*, respectively. Additionally, the *OPT\_TX* output may be modulated at 38kHz. Modulation is available when system power is present (i.e. not in BROWNOUT mode). The *OPT\_TXMOD* bit enables modulation. Duty cycle is controlled by *OPT\_FDC[1:0]*, which can select 50%, 25%, 12.5%, and 6.25% duty cycle. 6.25% duty cycle means *OPT\_TX* is low for 6.25% of the period. Figure 7 illustrates the *OPT\_TX* generator.

When not needed for the optical UART, the *OPT\_TX* pin can alternatively be configured as *DIO2* or *WPULSE*. The configuration bits are *OPT\_TXE[1:0]*. Likewise, *OPT\_RX* can alternately be configured as *DIO\_1*. Its control is *OPT\_RXDIS*.



**Figure 7: Optical Interface**

### Digital I/O

The device includes up to 14 pins of general purpose digital I/O. These pins are compatible with 5V inputs (no current-limiting resistors are needed). Some are dual function that can alternatively be used as LCD drivers (DIO4-11, 14-17) and some share functions with the optical port (DIO1, DIO2). On reset or power-up, all DIO pins are inputs until they are configured for the desired direction under MPU control. The pins are configured by the DIO registers and by the five bits of the *LCD\_NUM* register (located in I/O RAM). Once declared as DIO, each pin can be configured independently as an input or output with the *DIO\_DIRn* bits. A 3-bit configuration word, *DIO\_Rx*, can be used for certain pins, when configured as DIO, to individually assign an internal resource such as an interrupt or a timer control. Table 53 lists the direction registers and configurability associated with each group of DIO pins. Table 54 shows the configuration for a DIO pin through its associated bit in its *DIO\_DIR* register.

Tables showing the relationship between *LCD\_NUM* and the available segment/DIO pins can be found in the Applications section and in the I/O RAM Description under *LCD\_NUM[4:0]*.

DIO	PB	1	2	3	4	5	6	7	8	9	10	11	12	13	14	15
Pin number	62	57	3	--	37	38	39	40	41	42	43	44	--	--	20	21
Data Register	0	1	2	--	4	5	6	7	0	1	2	3	--	--	6	7
	<i>DIO0=P0</i> (SFR 0x80)								<i>DIO1=P1</i> (SFR 0x90)							
Direction Register	0	1	2	--	4	5	6	7	0	1	2	3	--	--	6	7
	<i>DIO_DIR0</i> (SFR 0xA2)								<i>DIO_DIR1</i> (SFR 0x91)							
Internal Resources Configurable	Y	Y	Y	--	Y	Y	Y	Y	Y	Y	Y	Y	--	--	--	--

DIO	16	17	18	19	20	21	22	23
Pin number	22	12	--	--	--	--	--	--
Data Register	0	1	--	--	--	--	--	--
	<i>DIO2=P2</i> (SFR 0xA0)							
Direction Register	0	1	--	--	--	--	--	--
	<i>DIO_DIR2</i> (SFR 0xA1)							
Internal Resources Configurable	N	N	--	--	--	--	--	--

**Table 53: Data/Direction Registers and Internal Resources for DIO Pin Groups**



<i>DIO_DIR [n]</i>		
	0	1
DIO Pin n Function	Input	Output

**Table 54: DIO\_DIR Control Bit**

Additionally, if DIO6 is declared an output, it can be configured as dedicated pulse output (WPULSE = DIO6) using the *DIO\_PW* register. In this case, DIO6 is under CE control. DIO4 and DIO5 can be configured to implement the EEPROM Interface.

The PB pin is a dedicated digital input. If the optical UART is not used, OPT\_TX and OPT\_RX can be configured as dedicated DIO pins (DIO1, DIO2, see Optical Interface section).

A 3-bit configuration word, I/O RAM register, *DIO\_Rx* (0x2009[2:0] through 0x200E[6:4]) can be used for certain pins, when configured as DIO, to individually assign an internal resource such as an interrupt or a timer control (see Table 55 for DIO pins available for this option). This way, DIO pins can be tracked even if they are configured as outputs.



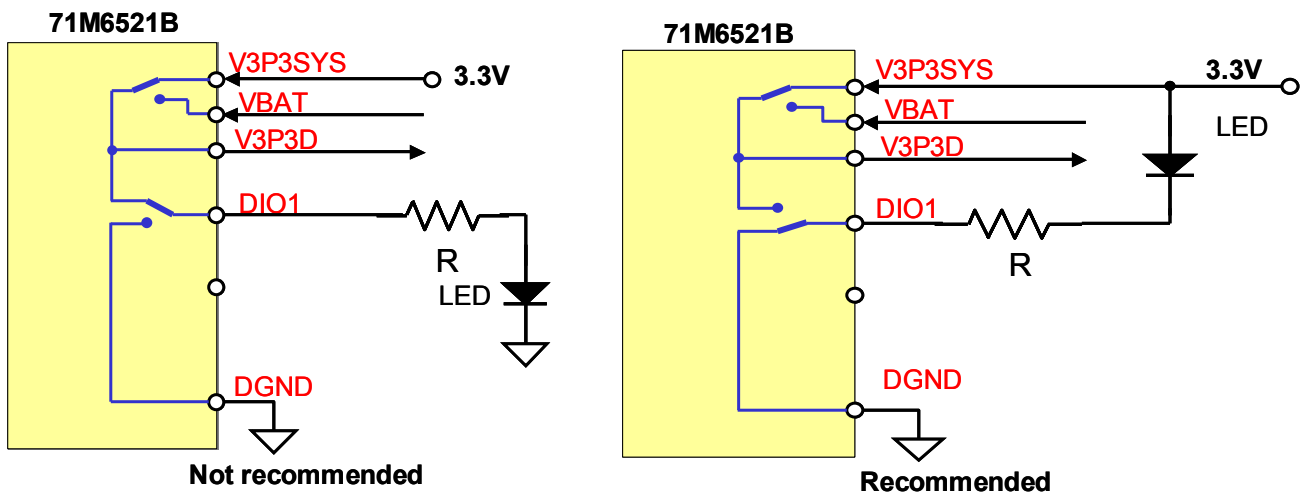
*Tracking DIO pins configured as outputs is useful for pulse counting without external hardware.*



When driving LEDs, relay coils etc., the DIO pins should sink the current into GNDD (as shown in Figure 8, right), not source it from V3P3D (as shown in Figure 8, left). This is due to the resistance of the internal switch that connects V3P3D to either V3P3SYS or VBAT.



When configured as inputs, the dual-function (DIO/SEG) pins should not be pulled above V3P3SYS in MISSION and above VBAT in LCD and BROWNOUT modes. Doing so will distort the LCD waveforms of the other pins. This limitation applies to any pin that can be configured as a LCD driver.



**Figure 8: Connecting an External Load to DIO Pins**

The PB pin is a dedicated digital input. In addition, if the optical UART is not used, OPT\_TX and OPT\_RX can be configured as dedicated DIO pins DIO1 and DIO2. Thus, in addition to the 12 general-purpose DIO pins (DIO4...DIO11, DIO14...DIO17), there are three additional pins that can be used for digital input and output.



The control resources selectable for the DIO pins are listed in Table 55. If more than one input is connected to the same resource, the resources are combined using a logical OR.

<i>DIO_R</i> Value	Resource Selected for DIO Pin
0	NONE
1	Reserved
2	T0 (counter0 clock)
3	T1 (counter1 clock)
4	High priority I/O interrupt (INT0 rising)
5	Low priority I/O interrupt (INT1 rising)
6	High priority I/O interrupt (INT0 falling)
7	Low priority I/O interrupt (INT1 falling)

**Table 55: Selectable Controls using the *DIO\_DIR* Bits**

### LCD Drivers

The device contains 20 dedicated LCD segment drivers in addition to the 15 multi-use pins described above. Thus, the device is capable of driving between 80 to 140 pixels of LCD display with 25% duty cycle (or 60 to 105 pixels with 33% duty cycle). At eight pixels per digit, this corresponds to 10 to 17 digits.

The LCD drivers are grouped into 4 commons and 35 segment drivers. The LCD interface is flexible and can drive either digit segments or enunciator symbols.

Segment drivers SEG18 and SEG19 can be configured to blink at either 0.5Hz or 1Hz. The blink rate is controlled by *LCD\_Y*. There can be up to four pixels/segments connected to each of these drivers. *LCD\_BLKMAP18[3:0]* and *LCD\_BLKMAP19[3:0]* identify which pixels, if any, are to blink.



**LCD interface memory is powered by the non-volatile supply. The bits of the LCD memory are preserved in LCD and SLEEP modes, even if their pin is not configured as SEG. In this case, they can be useful as general-purpose non-volatile storage.**

### Battery Monitor

The battery voltage is measured by the ADC during alternative MUX frames if the *BME* (Battery Measure Enable) bit is set. While *BME* is set, an on-chip 45kΩ load resistor is applied to the battery and a scaled fraction of the battery voltage is applied to the ADC input. After each alternative MUX frame, the result of the ADC conversion is available at CE DRAM address 0x07. *BME* is ignored and assumed zero when system power is not available. See the Battery Monitor section of the Electrical Specification section for details regarding the ADC LSB size and the conversion accuracy.

### EEPROM Interface

The 71M6521BE provides hardware support for either type of EEPROM interface, a two-pin interface and a three-pin interface. The interfaces use the *EECTRL* and *EEDATA* registers for communication.

#### **Two-Pin EEPROM Interface**

The dedicated 2-pin serial interface communicates with external EEPROM devices. The interface is multiplexed onto DIO4 (SCK) and DIO5 (SDA) controlled by the *DIO\_EEX* bit (see I/O RAM Table). The MPU communicates with the interface through two SFR registers: *EEDATA* and *EECTRL*. If the MPU wishes to write a byte of data to EEPROM, it places the data in *EEDATA* and then writes the 'Transmit' command (CMD = 0011) to *EECTRL*. The write to *EECTRL* initiates the transmit operation. The transmit operation is finished when the *BUSY* bit falls. INT5 is also asserted when *BUSY* falls. The MPU can then check the *RX\_ACK* bit to see if the EEPROM acknowledged the transmission.

A byte is read by writing the 'Receive' command (CMD = 0001) to *EECTRL* and waiting for the *BUSY* bit to fall. Upon completion, the received data is in *EEDATA*. The serial transmit and receive clock is 78kHz during each transmission, and the clock is held in a high state until the next transmission. The bits in *EECTRL* are shown in Table 56.



The EEPROM interface can also be operated by controlling the DIO4 and DIO5 pins directly. **However, controlling DIO4 and DIO5 directly is discouraged, because it may tie up the MPU to the point where it may become too busy to process interrupts.**

Status Bit	Name	Read/Write	Reset State	Polarity	Description	
7	<i>ERROR</i>	R	0	Positive	1 when an illegal command is received.	
6	<i>BUSY</i>	R	0	Positive	1 when serial data bus is busy.	
5	<i>RX_ACK</i>	R	1	Negative	0 indicates that the EEPROM sent an ACK bit.	
4	<i>TX_ACK</i>	R	1	Negative	0 indicates when an ACK bit has been sent to the EEPROM	
3-0	<i>CMD[3:0]</i>	W	0000	Positive, see CMD Table	<b>CMD</b>	<b>Operation</b>
					0000	No-op. Applying the no-op command will stop the I <sup>2</sup> C clock (SCK, DIO4). Failure to issue the no-op command will keep the SCK signal toggling.
					0010	Receive a byte from EEPROM and send ACK.
					0011	Transmit a byte to EEPROM.
					0101	Issue a 'STOP' sequence.
					0110	Receive the last byte from EEPROM and do not send ACK.
					1001	Issue a 'START' sequence.
					Others	No Operation, set the <i>ERROR</i> bit.

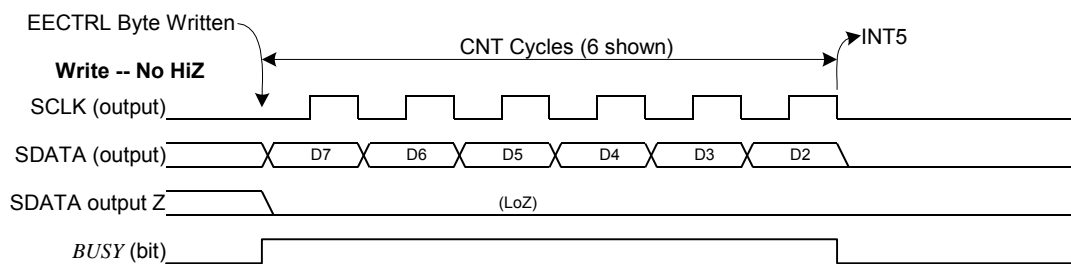
**Table 56: *EECTRL* Status Bits**

### Three-Wire EEPROM Interface

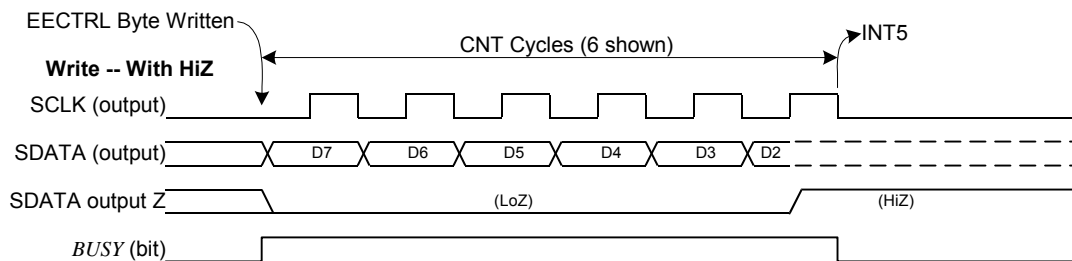
A 500kHz three-wire interface, using *SDATA*, *SCK*, and a DIO pin for CS is available. The interface is selected with *DIO\_EEX*=3. The same 2-wire *EECTRL* register is used, except the bits are reconfigured, as shown in Table 57. When *EECTRL* is written, up to 8 bits from *EEDATA* are either written to the EEPROM or read from the EEPROM, depending on the values of the *EECTRL* bits. The timing diagrams in Figure 9 through Figure 13 describe the 3-wire EEPROM interface behavior. All commands begin when the *EECTRL* register is written. Transactions start by first raising the DIO pin that is connected to CS. Multiple 8-bit or less commands such as those shown in Figure 9 through Figure 13 are then sent via *EECTRL* and *EEDATA*. When the transaction is finished, CS must be lowered. At the end of a Read transaction, the EEPROM will be driving *SDATA*, but will transition to HiZ (high impedance) when CS falls. The firmware should then immediately issue a write command with CNT=0 and HiZ=0 to take control of *SDATA* and force it to a low-Z state.

Control Bit	Name	Read/Write	Description
7	<i>WFR</i>	W	Wait for Ready. If this bit is set, the trailing edge of <i>BUSY</i> will be delayed until a rising edge is seen on the data line. This bit can be used during the last byte of a Write command to cause the INT5 interrupt to occur when the EEPROM has finished its internal write sequence. This bit is ignored if <i>HiZ</i> =0.
6	<i>BUSY</i>	R	Asserted while serial data bus is busy. When the <i>BUSY</i> bit falls, an INT5 interrupt occurs.
5	<i>HiZ</i>	W	Indicates that the SD signal is to be floated to high impedance immediately after the last SCK rising edge.
4	<i>RD</i>	W	Indicates that <i>EEDATA</i> is to be filled with data from EEPROM.
3-0	<i>CNT</i> [3:0]	W	Specifies the number of clocks to be issued. Allowed values are 0 through 8. If <i>RD</i> =1, <i>CNT</i> bits of data will be read MSB first, and right justified into the low order bits of <i>EEDATA</i> . If <i>RD</i> =0, <i>CNT</i> bits will be sent MSB first to EEPROM, shifted out of <i>EEDATA</i> 's MSB. If <i>CNT</i> is zero, <i>SDATA</i> will simply obey the <i>HiZ</i> bit.

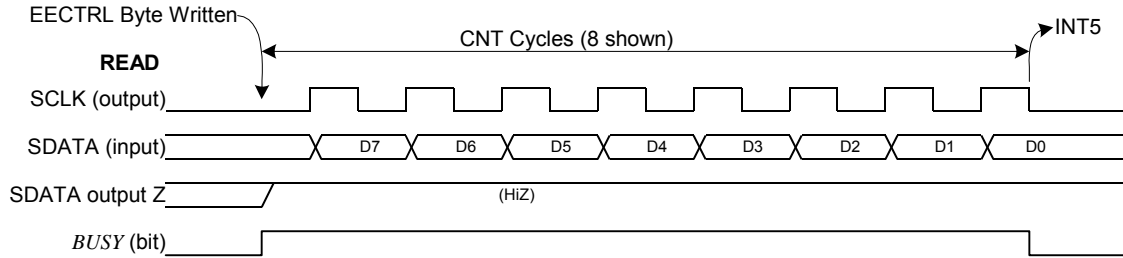
**Table 57: *EECTRL* bits for 3-wire interface**



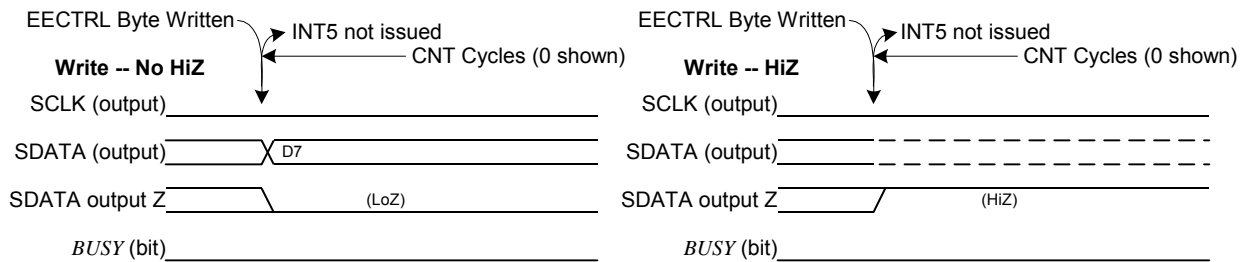
**Figure 9: 3-Wire Interface. Write Command, *HiZ*=0.**



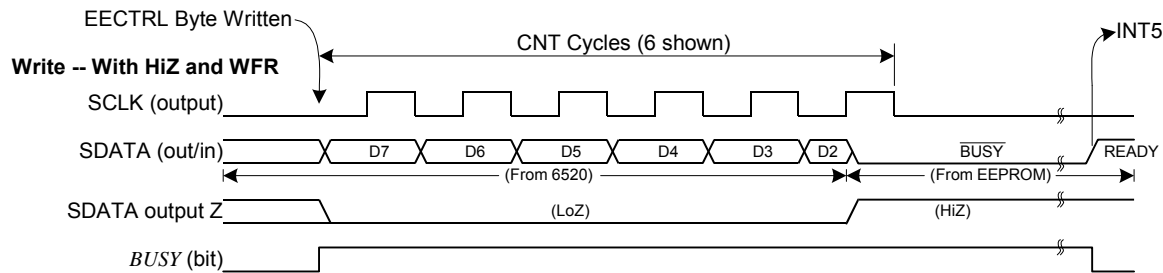
**Figure 10: 3-Wire Interface. Write Command, *HiZ*=1**



**Figure 11: 3-Wire Interface. Read Command.**

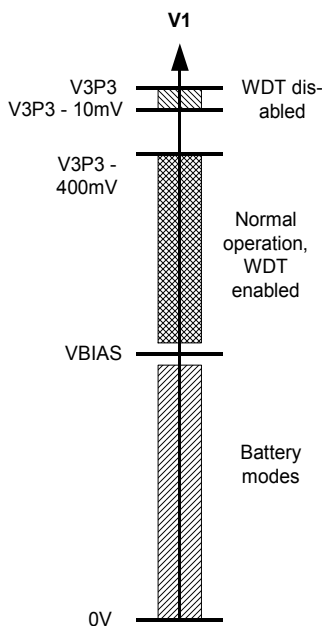


**Figure 12: 3-Wire Interface. Write Command when CNT=0**



**Figure 13: 3-Wire Interface. Write Command when HiZ=1 and WFR=1.**

### Hardware Watchdog Timer



In addition to the basic watchdog timer included in the 80515 MPU, an independent, robust, fixed-duration, watchdog timer (WDT) is included in the device. It uses the crystal oscillator as its time base and must be refreshed by the MPU firmware at least every 1.5 seconds. When not refreshed on time the WDT overflows, and the part is reset as if the RESET pin were pulled high, except that the I/O RAM bits will be in the same state as after a wake-up from SLEEP or LCD modes (see the I/O RAM description for a list of I/O RAM bit states after RESET and wake-up). 4100 oscillator cycles (or 125ms) after the WDT overflow, the MPU will be launched from program address 0x0000.

A status bit, *WD\_OVF*, is set when WDT overflow occurs. This bit is powered by the nonvolatile supply and can be read by the MPU when WAKE rises to determine if the part is initializing after a WD overflow event or after a power-up. After it is read, MPU firmware must clear *WD\_OVF*. The *WD\_OVF* bit is cleared by the RESET pin

There is no internal digital state that deactivates the WDT. For debug purposes, however, the WDT can be disabled by tying the V1 pin to V3P3 (see Figure 35). Of course, this also deactivates V1 power fault detection. Since there is no firmware way to disable the crystal oscillator or the WDT, it is guaranteed that whatever state the part might find itself in, upon watchdog overflow, the part will be reset to a known state.

Asserting ICE\_E will also deactivate the WDT. This is the only method that will work in BROWNOUT mode.

In normal operation, the WDT is reset by periodically writing a one to the *WDT\_RST* bit. The watchdog timer is also reset when the internal signal WAKE=0 (see section on Wake Up Behavior).

**Figure 14: Functions defined by V1.**

### Program Security

When enabled, the security feature limits the ICE to global flash erase operations only. All other ICE operations are blocked. This guarantees the security of the user's MPU and CE program code. Security is enabled by MPU code that is executed in a 32 cycle preboot interval before the primary boot sequence begins. Once security is enabled, the only way to disable it is to perform a global erase of the flash, followed by a chip reset.

The first 32 cycles of the MPU boot code are called the preboot phase because during this phase the ICE is inhibited. A read-only status bit, *PREBOOT*, identifies these cycles to the MPU. Upon completion of preboot, the ICE can be enabled and is permitted to take control of the MPU.

*SECURE*, the security enable bit, is reset whenever the chip is reset. Hardware associated with the bit permits only ones to be written to it. Thus, preboot code may set *SECURE* to enable the security feature but may not reset it. Once *SECURE* is set, the preboot code is protected and no external read of program code is possible

Specifically, when *SECURE* is set:

- The ICE is limited to bulk flash erase only.
- Page zero of flash memory, the preferred location for the user's preboot code, may not be page-erased by either MPU or ICE. Page zero may only be erased with global flash erase.
- Writes to page zero, whether by MPU or ICE are inhibited.



**The *SECURE* bit is to be used with caution!** Inadvertently setting this bit will inhibit access to the part via the ICE interface, if no mechanism for actively resetting the part between reset and erase operations is provided (see ICE Interface description).

### Test Ports

**TMUXOUT Pin:** One out of 16 digital or 8 analog signals can be selected to be output on the TMUXOUT pin. The function of the multiplexer is controlled with the I/O RAM register *TMUX* (0x20AA[4:0]), as shown in Table 58.

<i>TMUX</i> [4:0]	Mode	Function
0	Analog	DGND
1	Analog	Reserved
2	Analog	DGND
3-5	Analog	Reserved
6	Analog	VBIAS
7	Analog	Not used
8-0x0F	--	Reserved
0x10 – 0x13	--	Not used
0x14	Digital	RTM (Real time output from CE)
0x15	Digital	WDTR_EN (Comparator 1 Output AND V1LT3)
0x16 – 0x17		Not used
0x18	Digital	RXD (from Optical interface, w/ optional inversion)
0x19	Digital	MUX_SYNC
0x1A	Digital	CK_10M
0x1B	Digital	CK_MPU
0x1C	--	Reserved
0X1E	Digital	CE_BUSY
0X1F	Digital	XFER_BUSY

**Table 58: *TMUX*[4:0] Selections**

## FUNCTIONAL DESCRIPTION

### Theory of Operation

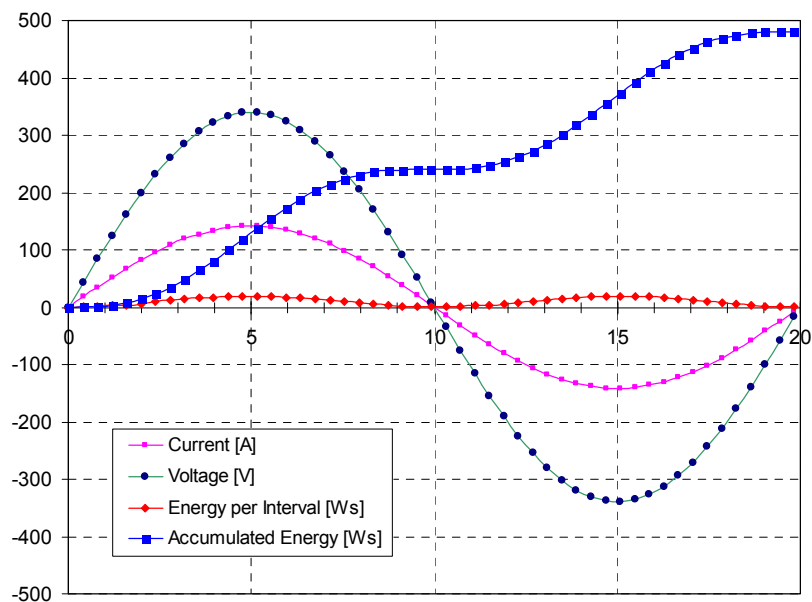
The energy delivered by a power source into a load can be expressed as:

$$E = \int_0^t V(t)I(t)dt$$

Assuming phase angles are constant, the following formulae apply:

- $P = \text{Real Energy [Wh]} = V * A * \cos \phi * t$
- $Q = \text{Reactive Energy [VARh]} = V * A * \sin \phi * t$
- $S = \text{Apparent Energy [VAh]} = \sqrt{P^2 + Q^2}$

For a practical meter, not only voltage and current amplitudes, but also phase angles and harmonic content may change constantly. Thus, simple RMS measurements are inherently inaccurate. A modern solid-state electricity meter IC such as the TERIDIAN 71M6521BE functions by emulating the integral operation above, i.e. it processes current and voltage samples through an ADC at a constant frequency. As long as the ADC resolution is high enough and the sample frequency is beyond the harmonic range of interest, the current and voltage samples, multiplied with the time period of sampling will yield an accurate quantity for the momentary energy. Summing up the momentary energy quantities over time will result in accumulated energy.



**Figure 15: Voltage, Current, Momentary and Accumulated Energy**

Figure 15 shows the shapes of  $V(t)$ ,  $I(t)$ , the momentary power and the accumulated energy, resulting from 50 samples of the voltage and current signals over a period of 20ms. The application of 240VAC and 100A results in an accumulation of 480Ws (= 0.133Wh) over the 20ms period, as indicated by the Accumulated Energy curve.

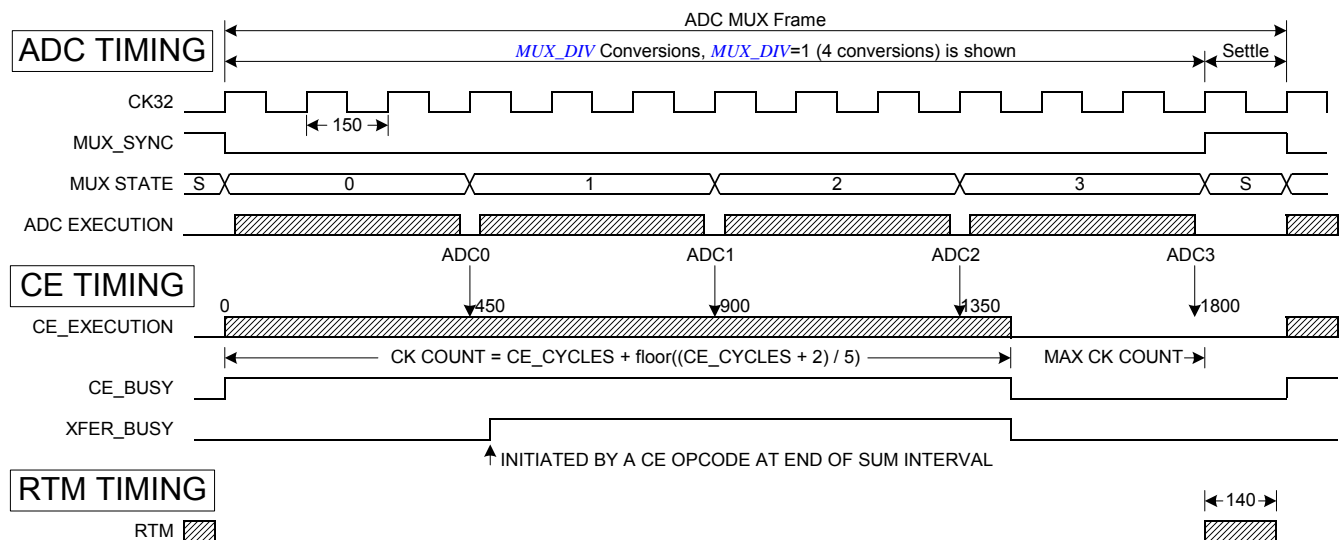
The described sampling method works reliably, even in the presence of dynamic phase shift and harmonic distortion.

### System Timing Summary

Figure 16 summarizes the timing relationships between the input MUX states, the CE\_BUSY signal, and the two serial output streams. In this example,  $MUX\_DIV=4$  and  $FIR\_LEN=1$  (384). The duration of each MUX frame is  $1 + MUX\_DIV * 2$  if  $FIR\_LEN=288$ , and  $1 + MUX\_DIV * 3$  if  $FIR\_LEN=384$ . An ADC conversion will always consume an integer number of CK32 clocks. Followed by the conversions is a single CK32 cycle where the bandgap voltage is allowed to recover from the change in CROSS.

Each CE program pass begins when ADC0 (channel IA) conversion begins. Depending on the length of the CE program, it may continue running until the end of the ADC3 (VB) conversion. CE opcodes are constructed to ensure that all CE code passes consume exactly the same number of cycles. The result of each ADC conversion is inserted into the CE DRAM when the conversion is complete. The CE is written to tolerate sudden changes in ADC data. The exact CK count when each ADC value is loaded into DRAM is shown in Figure 16.

Figure 16 also shows that the serial RTM data stream begins transmitting at the beginning of state 'S.' RTM, consisting of 140 CK cycles, will always finish before the next code pass starts.

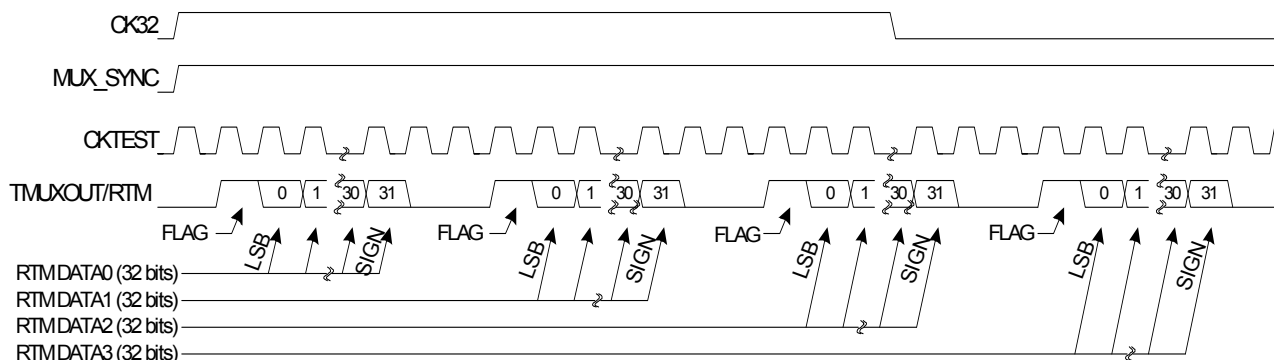


NOTES:

1. ALL DIMENSIONS ARE 5MHZ CK COUNTS.
2. THE PRECISE FREQUENCY OF CK IS  $150 * \text{CRYSTAL FREQUENCY} = 4.9152\text{MHZ}$ .
3. XFER\_BUSY OCCURS ONCE EVERY (PRESAMPS \* SUM\_CYCLES) CODE PASSES.

**Figure 16: Timing Relationship between ADC MUX, Compute Engine, and Serial Transfers.**





**Figure 17: RTM Output Format**



## Battery Modes

Shortly after system power (V3P3SYS) is applied, the part will be in MISSION mode. MISSION mode means that the part is operating with system power and that the internal PLL is stable. This mode is the normal operation mode where the part is capable of measuring energy.

When system power is not available (i.e. when  $V1 < VBIAS$ ), the 71M6521DE/FE can be in one of three battery modes, i.e. BROWNOUT, LCD, or SLEEP mode. As soon as V1 falls below VBIAS or when the part wakes up under battery power (with sufficient voltage margin), the part will automatically enter BROWNOUT mode (see Wake Up Behavior section). From BROWNOUT mode, the MPU may enter either LCD mode or SLEEP mode by setting either the *LCD\_ONLY* or *SLEEP* I/O RAM bits (only one bit can be set at the same time in BROWNOUT mode, since setting one bit will already force the part into SLEEP or LCD mode, disabling the MPU).

Figure 18 shows a state diagram of the various operation modes, with the possible transitions between modes. For information on the timing of mode transitions refer to Figure 22 through Figure 24.

When V1 falls below VBIAS or the part wakes up under battery power, the part will automatically enter BROWNOUT mode (see Wake Up Behavior section). From BROWNOUT mode, the part may choose to enter either LCD mode or SLEEP mode, as controlled by the MPU via the I/O RAM bits *LCD\_ONLY* and *SLEEP*.

-  Meters that do not require functionality in the battery modes still need to contain code that brings the chip from BROWNOUT mode to SLEEP mode. Otherwise, the chip remains in BROWNOUT mode, once the system power is missing, and consumes more current than intended.
-  Similarly, meters equipped with batteries need to contain code that transitions the chip to SLEEP mode as soon as the battery is attached in production. Otherwise, remaining in BROWNOUT mode would add unnecessary drain to the battery.

The transition from MISSION mode to BROWNOUT mode is signaled by the *IE\_PLLFALL* interrupt flag (in SFR 0xE8[7]). The transition in the other direction is signaled by the *IE\_PLLRISE* interrupt flag (SFR 0xE8[6]), when the PLL becomes stable.

Transitions from both LCD and SLEEP mode are initiated by wake-up timer timeout conditions or pushbutton events. When the PB pin is pulled high (pushbutton is pressed), the *IE\_PB* interrupt flag (SFR 0xE8[4]) is set, and when the wake-up timer times out, the *IE\_WAKE* interrupt flag (SFR 0xE8[5]) is set.

In the absence of system power, if the voltage margin for the LDO regulator providing 2.5V to the internal circuitry becomes too low to be safe, the part automatically enters sleep mode (BAT\_OK false). The battery voltage must stay above 3V to ensure that BAT\_OK remains true. Under this condition, the 71M6521BE stays in SLEEP mode, even if the voltage margin for the LDO improves (BAT\_OK true).

Table 59 shows the circuit functions available in each operating mode.

## BROWNOUT Mode

In BROWNOUT mode, most non-metering digital functions, as shown in Table 59, are active, including ICE, UART, EEPROM, and LCD. In BROWNOUT mode, a low bias current regulator will provide 2.5 Volts to V2P5 and the nonvolatile V2P5 net. The regulator has an output called BAT\_OK to indicate that it has sufficient overhead. When BAT\_OK = 0, the part will enter SLEEP mode.

The V3P3D output pin is active in BROWNOUT mode, and low-current external components, such as EEPROMs can be supplied with the current from this pin while the chip is in BROWNOUT mode.

From BROWNOUT mode, the processor can voluntarily enter LCD or SLEEP modes. When system power is restored, the part will automatically transition from any of the battery modes to mission mode, once the PLL has settled.

The MPU will run at crystal clock rate in BROWNOUT mode. The value of *MPU\_DIV* will be remembered (not changed) as the part enters and exits BROWNOUT.

While *PLL\_OK* = 0, the I/O RAM bits *ADC\_E* and *CE\_E* are held in zero state disabling both ADC and CE. When *PLL\_OK* falls, the CE program counter is cleared immediately and all FIR processing halts. Figure 19 shows the functional blocks active in BROWNOUT mode.

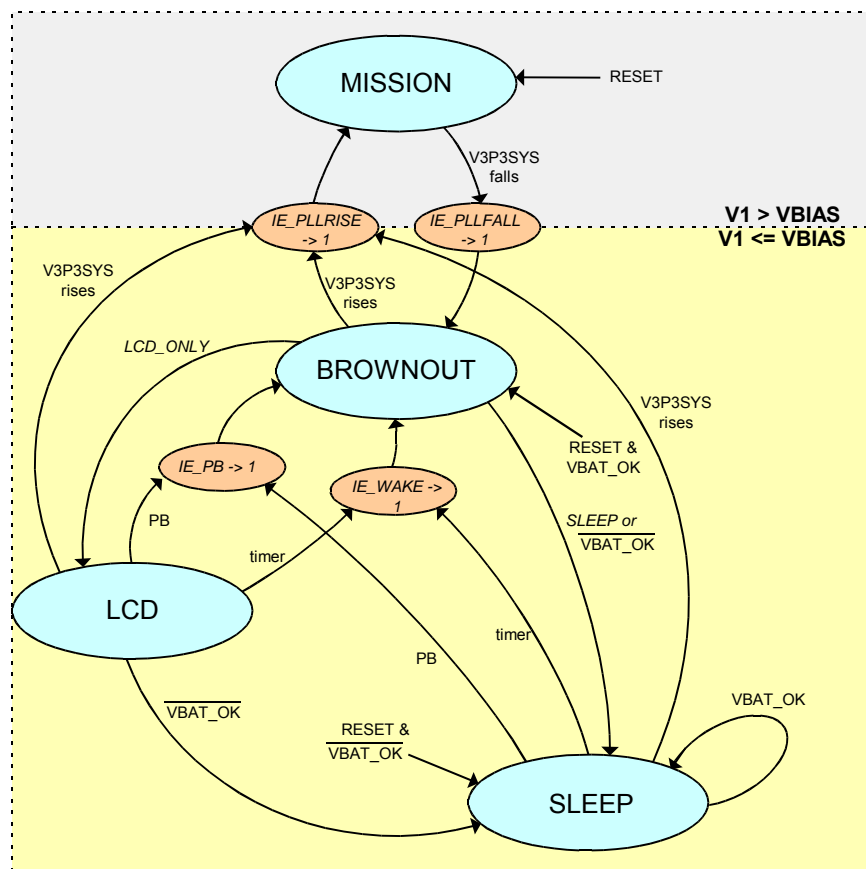


Figure 18: Operation Modes State Diagram

### **LCD Mode**

In LCD mode, the data contained in the *LCD\_SEG* registers is displayed, i.e. up to four LCD segments connected to each of the pins SEG18 and SEG19 can be made to blink without the involvement of the MPU, which is disabled in LCD mode. The V3P3D output pin is inactive in LCD mode.

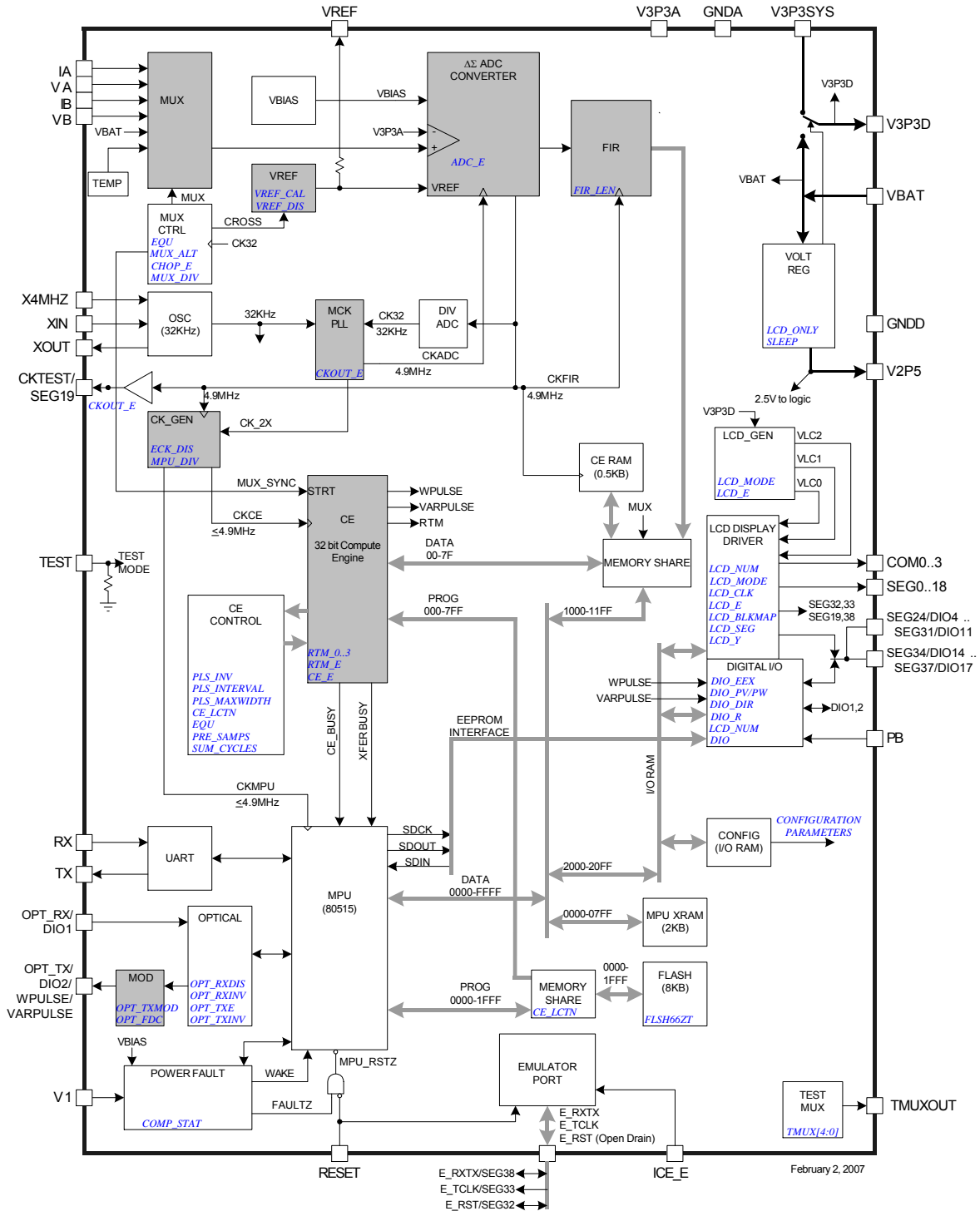
This mode can be exited only by system power up, a timeout of the wake-up timer, or a push button. Figure 20 shows the functional blocks active in LCD mode.

### **SLEEP Mode**

In SLEEP mode, the battery current is minimized and only the Oscillator is active. The V3P3D output pin is inactive in LCD mode. This mode can be exited only by system power-up, a timeout of the wake-up timer, or a push button event. Figure 21 shows the functional blocks active in SLEEP mode.

Circuit Function	System Power	Battery Power (nonvolatile Supply)		
	MISSION	BROWNOUT	LCD	SLEEP
CE	Yes	--	--	--
CE Data RAM	Yes	Yes	--	--
FIR	Yes	--	--	--
Analog circuits: PLL, ADC, VREF, BME, etc.	Yes	--	--	--
MPU clock rate	4.92MHz (from PLL)	28.672kHz (7/8 of 32768Hz)	--	--
<i>MPU_DIV</i>	Yes	Yes	--	--
ICE	Yes	Yes	--	--
DIO Pins	Yes	Yes	--	--
Watchdog Timer	Yes	Yes	--	--
LCD	Yes	Yes	Yes	--
EEPROM Interface (2-wire)	Yes	Yes (8kb/s)	--	--
EEPROM Interface (3-wire)	Yes	Yes (16kb/s)	--	--
UART	Yes	Yes	--	--
Optical TX modulation	Yes	--	--	--
Flash Read	Yes	Yes	--	--
Flash Page Erase	Yes	Yes	--	--
Flash Write	Yes	--	--	--
RAM Read and Write	Yes	Yes	--	--
Wakeup Timer	Yes	Yes	Yes	Yes
Crystal oscillator	Yes	Yes	Yes	Yes
DRAM data preservation	Yes	Yes	--	--
V3P3D voltage output	Yes	Yes	--	--

**Table 59: Available Circuit Functions (“--“ means “not active)**



**Figure 19: Functional Blocks in BROWNOUT Mode (inactive blocks grayed out)**

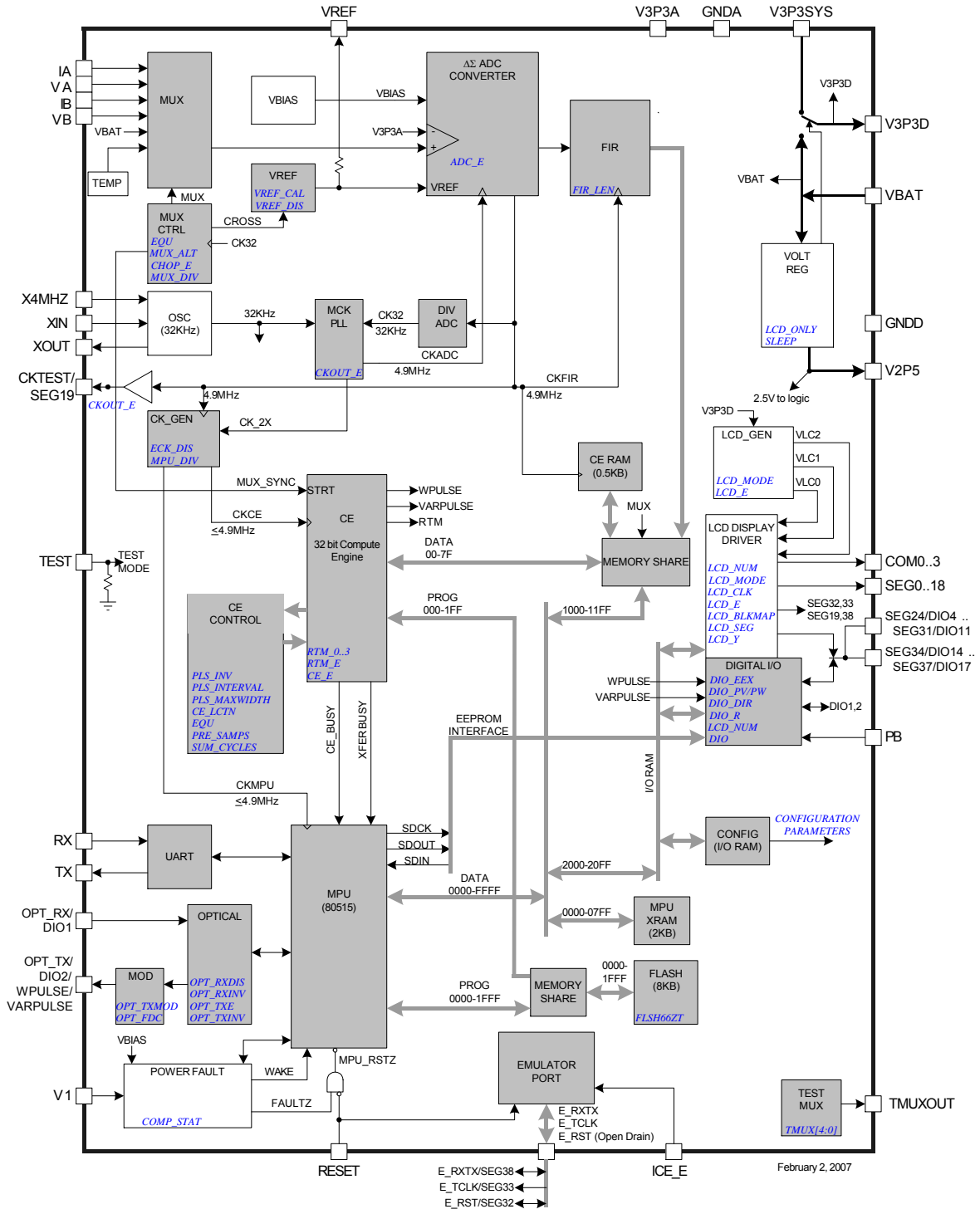


Figure 20: Functional Blocks in LCD Mode (inactive blocks grayed out)

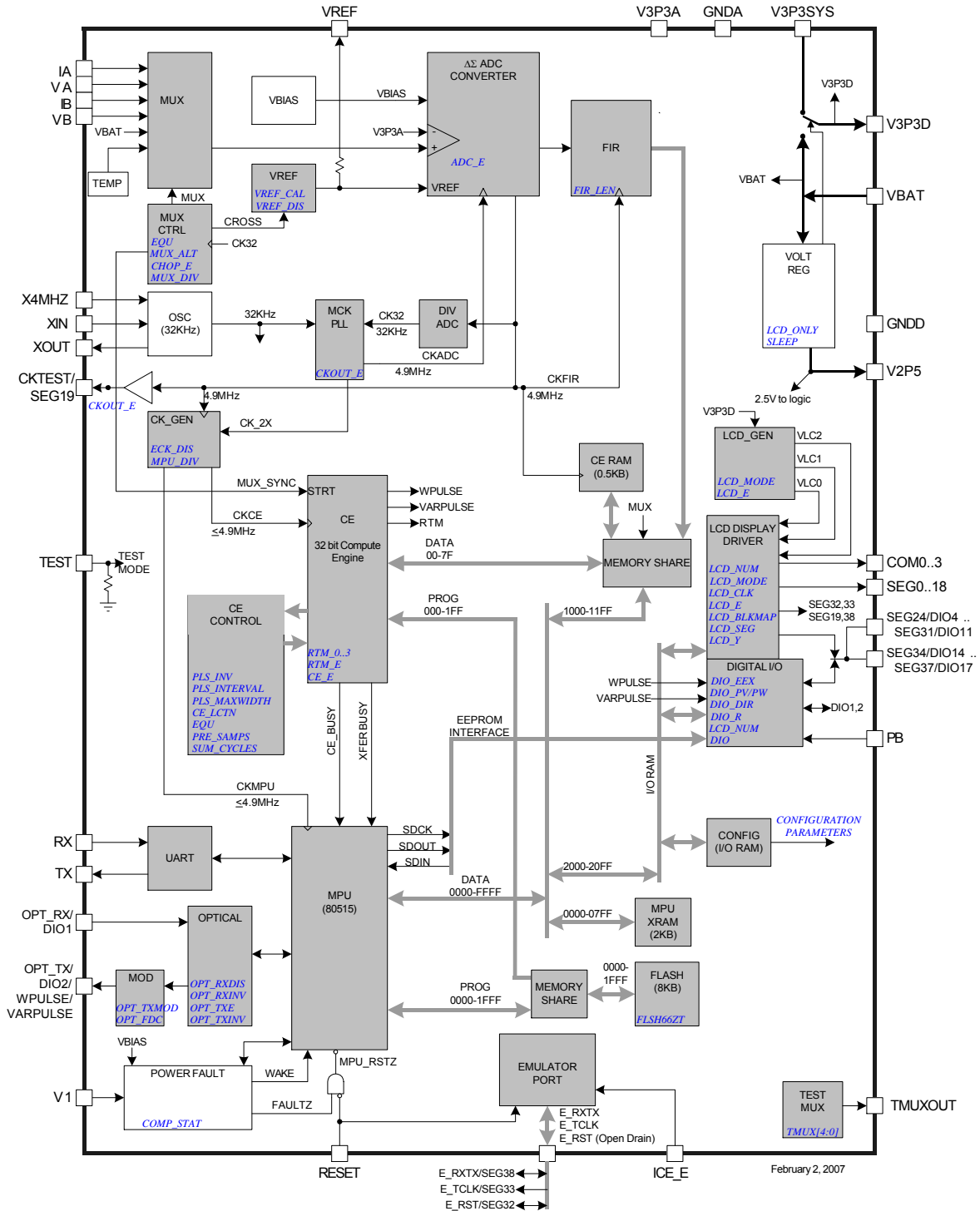


Figure 21: Functional Blocks in SLEEP Mode (inactive blocks grayed out)

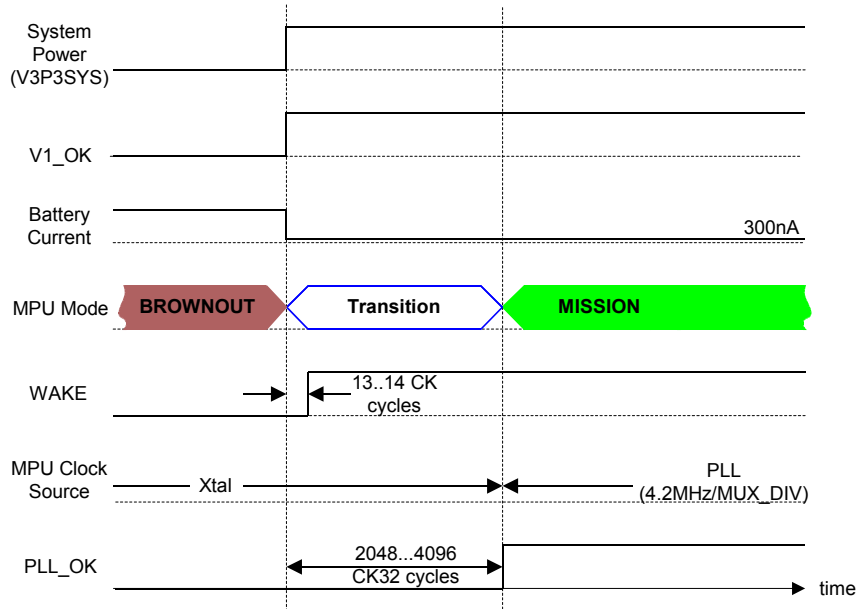


Figure 22: Transition from BROWNOUT to MISSION Mode when System Power Returns

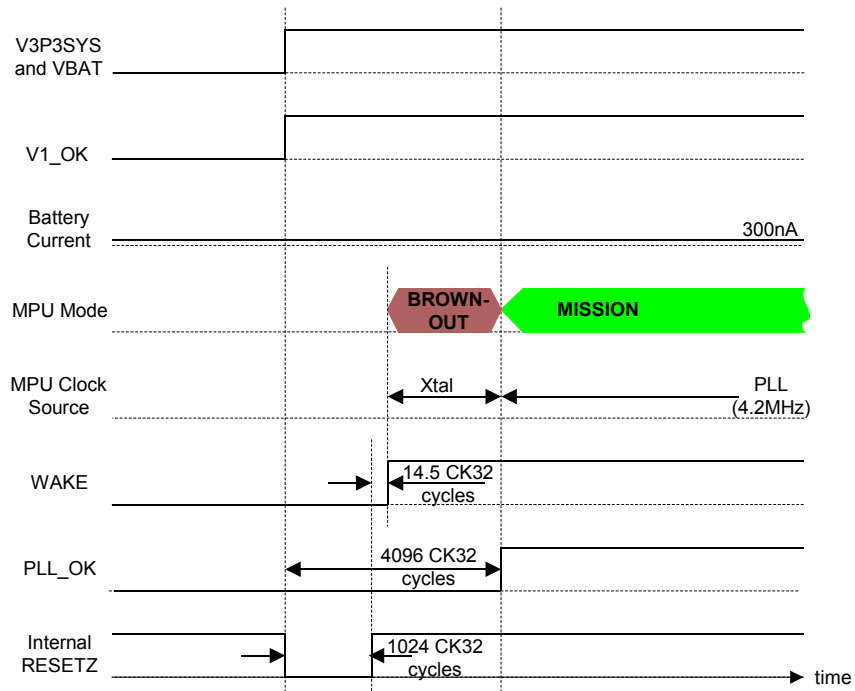
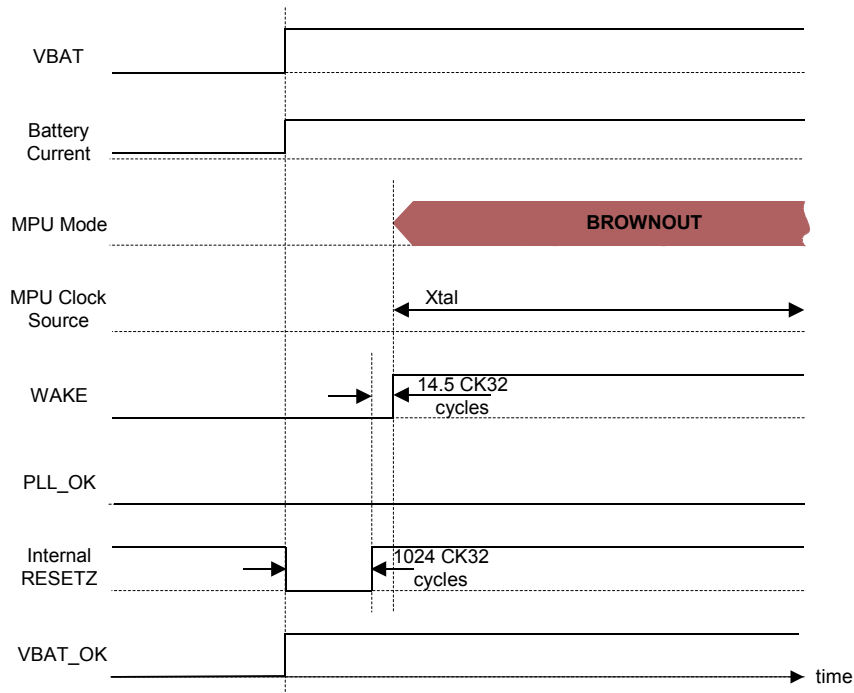


Figure 23: Power-Up Timing with V3P3SYS and VBAT tied together



**Figure 24: Power-Up Timing with VBAT only**

### Fault and Reset Behavior

**Reset Mode:** When the RESET pin is pulled high all digital activity stops. The oscillator module continues to run. Additionally, all I/O RAM bits are set to their default states. As long as V1, the input voltage at the power fault block, is greater than VBIAS, the internal 2.5V regulator will continue to provide power to the digital section.

Once initiated, the reset mode will persist until the reset timer times out, signified by WAKE rising. This will occur in 4100 cycles of the real time clock after RESET goes low, at which time the MPU will begin executing its preboot and boot sequences from address 00. See the security section for more description of preboot and boot.

If system power is not present, the reset timer duration will be 2 cycles of the crystal clock, at which time the MPU will begin executing in BROWNOUT mode, starting at address 00.

**Power Fault Circuit:** The 71M6521BE includes a comparator to monitor system power fault conditions. When the output of the comparator falls ( $V1 < VBIAS$ ), the I/P RAM bits *PLL\_OK* is zeroed and the part switches to BROWNOUT mode if a battery is present. Once, system power returns, the MPU remains in reset and does not start Mission Mode until 4100 oscillator clocks later, when *PLL\_OK* rises. If a battery is not present, indicated by  $BAT\_OK=0$ , WAKE will fall and the part will enter SLEEP mode.

There are several conditions the part could be in as system power returns. If the part is in BROWNOUT mode, it will automatically switch to mission mode when *PLL\_OK* rises. It will receive an interrupt indicating this. No configuration bits will be reset or reconfigured during this transition.

If the part is in LCD or SLEEP mode when system power returns, it will also switch to mission mode when *PLL\_OK* rises. In this case, all configuration bits will be in the reset state due to WAKE having been zero. The MPU RAM must be re-initialized. The hardware watchdog timer will become active when the part enters MISSION mode.



If there is no battery when system power returns, the part will switch to mission mode when PLL\_OK rises. All configuration bits will be in reset state, and MPU RAM data will be unknown and must be initialized by the MPU.

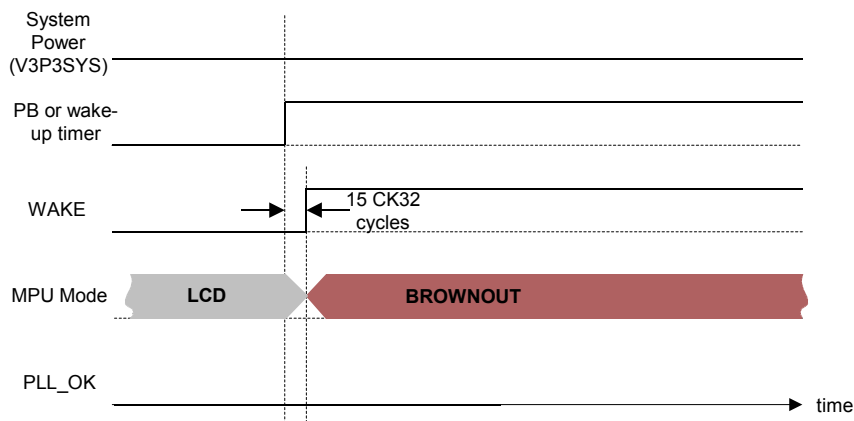
### Wake Up Behavior

As described above, the part will always wake up in mission mode when system power is restored. Additionally, the part will wake up in BROWNOUT mode when PB rises (push button pressed) or when a timeout of the wake-up timer occurs.

#### Wake on PB

If the part is in SLEEP or LCD mode, it can be awakened by a rising edge on the PB pin. This pin is normally pulled to GND and can be pulled high by a push button depression. Before the PB signal rises, the MPU is in reset due to WAKE being low. When PB rises, WAKE rises and within three crystal cycles, the MPU begins to execute. The MPU can determine whether the PB signal woke it up by checking the *IE\_PB* flag.

For debouncing, the PB pin is monitored by a state machine operating from a 32Hz clock. This circuit will reject between 31ms and 62ms of noise. Detection hardware will ignore all transitions after the initial rising edge. This will continue until the MPU clears the *IE\_PB* bit.



**Figure 25: Wake Up Timing**

#### Wake on Timer

If the part is in SLEEP or LCD mode, it can be awakened by the wake-up timer. Until this timer times out, the MPU is in reset due to WAKE being low. When the wake-up timer times out, the WAKE signal rises and within three crystal cycles, the MPU begins to execute. The MPU can determine whether the timer woke it by checking the *AUTOWAKE* interrupt flag (*IE\_WAKE*).

The wake-up timer begins timing when the part enters LCD or SLEEP mode. Its duration is controlled by *WAKE\_PRD[2:0]* and *WAKE\_RES*. *WAKE\_RES* selects a timer LSB of either 1 minute (*WAKE\_RES*=1) or 2.5 seconds (*WAKE\_RES*=0). *WAKE\_PRD[2:0]* selects a duration of from 1 to 7 LSBs.

The timer is armed by *WAKE\_ARM*=1. It must be armed at least three crystal clock cycles before *SLEEP* or *LCD\_ONLY* is initiated. Setting *WAKE\_ARM* presets the timer with the values in *WAKE\_RES* and *WAKE\_PRD* and readies the timer to start when the processor writes to *SLEEP* or *LCD\_ONLY*. The timer is reset and disarmed whenever the processor is awake. Thus, if it is desired to wake the MPU periodically (every 5 seconds, for example) the timer must be rearmed every time the MPU is awakened.

### Data Flow

The data flow between CE and MPU is shown in Figure 26. In a typical application, the 32-bit compute engine (CE) sequentially processes the samples from the voltage inputs on pins IA, VA, IB, and VB, performing calculations to measure active power (Wh). These measurements are then accessed by the MPU, processed further and output using the peripheral devices available to the MPU.

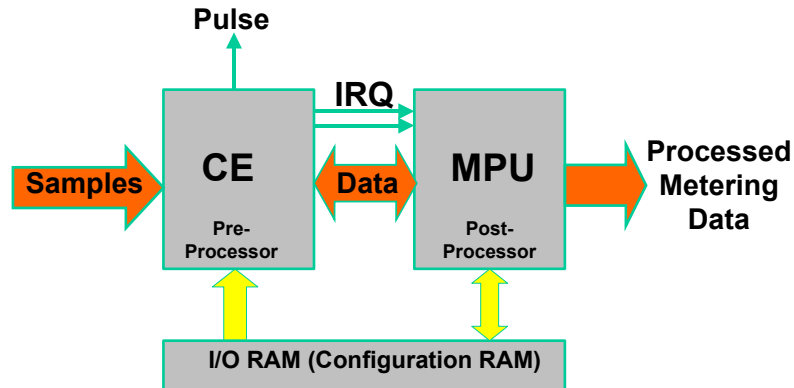


Figure 26: MPU/CE Data Flow

### CE/MPU Communication

Figure 27 shows the functional relationship between CE and MPU. The CE is controlled by the MPU via shared registers in the I/O RAM and by registers in the CE DRAM. The CE outputs two interrupt signals to the MPU: CE\_BUSY and XFER\_BUSY, which are connected to the MPU interrupt service inputs as external interrupts. CE\_BUSY indicates that the CE is actively processing data. This signal will occur once every multiplexer cycle. XFER\_BUSY indicates that the CE is updating data to the output region of the CE DRAM. This will occur whenever the CE has finished generating a sum by completing an accumulation interval determined by  $SUM\_CYCLES * PRE\_SAMPs$  samples. Interrupts to the MPU occur on the falling edges of the XFER\_BUSY and CE\_BUSY signals.

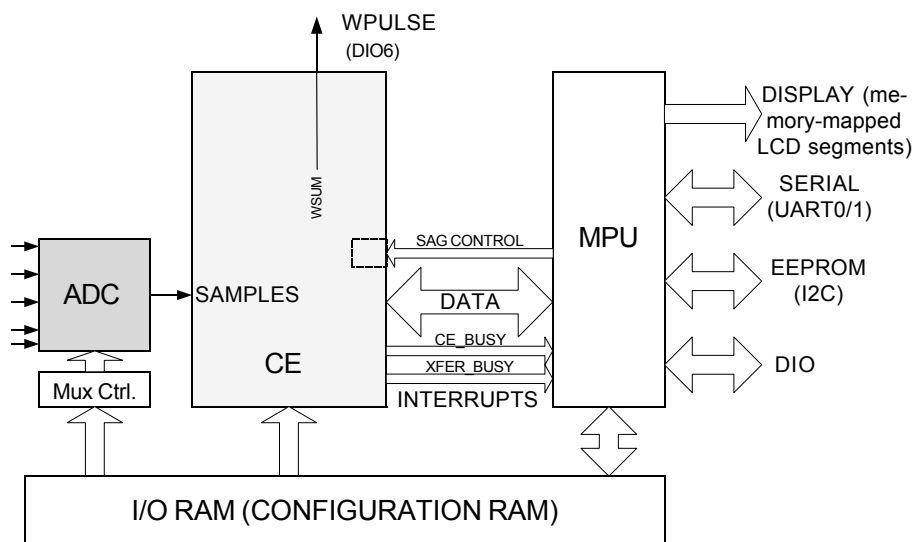


Figure 27: MPU/CE Communication

## Temperature Measurement

Measurement of absolute temperature uses the on-chip temperature sensor while applying the following formula:

$$T = \frac{(N(T) - N_n)}{S_n} + T_n$$

In the above formula  $T$  is the temperature in °C,  $N(T)$  is the ADC count at temperature  $T$ ,  $N_n$  is the ADC count at 25°C,  $S_n$  is the sensitivity in LSB/°C as stated in the Electrical Specifications, and  $T_n$  is +25°C.

**Example:** At 25°C a temperature sensor value of 518,203,584 ( $N_n$ ) is read by the ADC. At an unknown temperature  $T$  the value 449.648.000 is read at ( $N(T)$ ). The absolute temperature is then determined by dividing both  $N_n$  and  $N(T)$  by 512 to account for the 9-bit shift of the ADC value and then inserting the results into the above formula, using -2220 for LSB/°C:

$$T = \frac{449.648.000 - 518,203,584}{512 \cdot (-2220)} + 25C = 85.3°C$$

It is recommended to base temperature measurements on  $TEMP\_RAW\_X$  which is the sum of two consecutive temperature readings thus being higher by a factor of two than the raw sensor readings.

## Temperature Compensation

**Temperature Coefficients:** The internal voltage reference is calibrated during device manufacture.

The temperature coefficients TC1 and TC2 are given as constants that represent typical component behavior (in  $\mu V/°C$  and  $\mu V/°C^2$ , respectively).



Since TC1 and TC2 are given in  $\mu V/°C$  and  $\mu V/°C^2$ , respectively, the value of the VREF voltage (1.195V) has to be taken into account when transitioning to PPM/°C and PPM/°C<sup>2</sup>. This means that PPMC = 26.84\*TC1/1.195, and PPMC2 = 1374\*TC2/1.195).

**Temperature Compensation:** The CE provides the bandgap temperature to the MPU, which then may digitally compensate the power outputs for the temperature dependence of VREF, using the CE register  $GAIN\_ADJ$ . Since the band gap amplifier is chopper-stabilized via the  $CHOP\_EN$  bits, the most significant long-term drift mechanism in the voltage reference is removed.

The MPU, not the CE, is entirely in charge of providing temperature compensation. The MPU applies the following formula to determine  $GAIN\_ADJ$  (address 0x12). In this formula  $TEMP\_X$  is the deviation from nominal or calibration temperature expressed in multiples of 0.1°C:

$$GAIN\_ADJ = 16385 + \frac{TEMP\_X \cdot PPMC}{2^{14}} + \frac{TEMP\_X^2 \cdot PPMC2}{2^{23}}$$

In a production electricity meter, the 71M6521BE is not the only component contributing to temperature dependency. A whole range of components (e.g. current transformers, resistor dividers, power sources, filter capacitors) will contribute temperature effects.



Since the output of the on-chip temperature sensor is accessible to the MPU, temperature-compensation mechanisms with great flexibility are possible. MPU access to  $GAIN\_ADJ$  permits a system-wide temperature correction over the entire meter rather than local to the chip.

## APPLICATION INFORMATION

### Connection of Sensors (CT, Resistive Shunt)

Figure 28 and Figure 29 show how resistive dividers, current transformers, and resistive shunts are connected to the voltage and current inputs of the 71M6521BE.

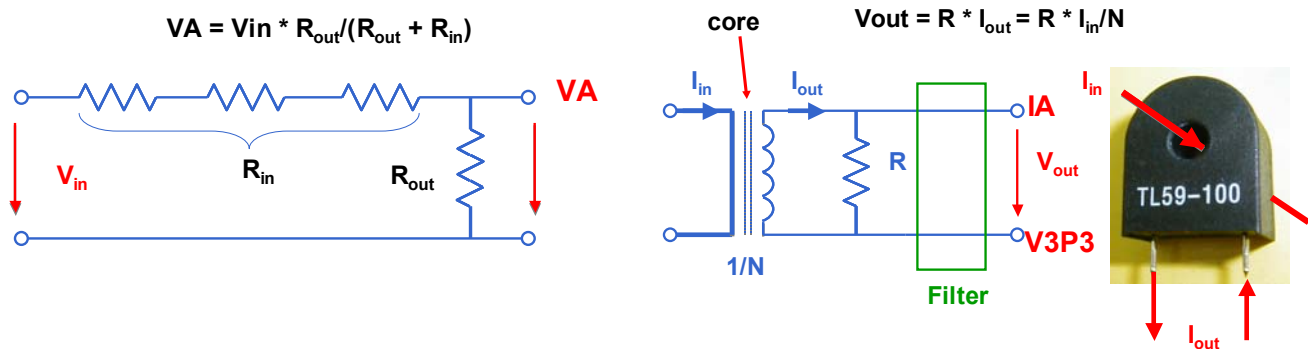


Figure 28: Resistive Voltage Divider (Left), Current Transformer (Right)

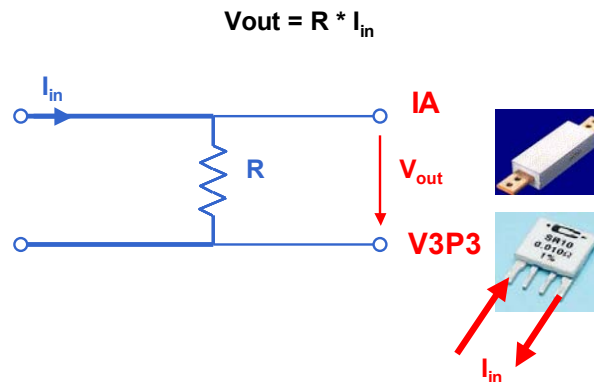


Figure 29: Resistive Shunt

### Connecting 5V Devices

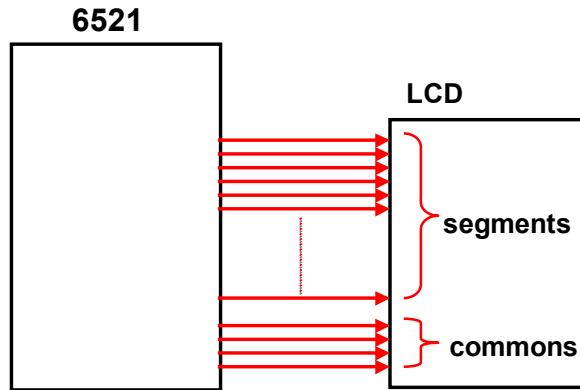
All digital input pins of the 71M6521BE are compatible with external 5V devices. I/O pins configured as inputs do not require current-limiting resistors when they are connected to external 5V devices.



See the cautionary note on the restrictions for combined SEG/DIO pins configured as digital inputs in the Digital I/O Section.

## Connecting LCDs

The 71M6521BE has a LCD controller on-chip capable of controlling static or multiplexed LCDs. Figure 30 shows the basic connection for a LCD.



**Figure 30: Connecting LCDs**

Nineteen pins are dedicated LCD segment pins (SEG0 to SEG18). If more pins are needed to drive segments, the dual-function pins CKTEST/SEG19, E\_RXTX/SEG38, E\_TCLK/SEG33, and E\_RST/SEG32 can be used.

Even more segment pins are available in the form of combined DIO and segment pins (SEG24/DIO4 to SEG31/DIO11, SEG34/DIO14 to SEG37/DIO17).

The split between DIO and LCD use of the combined pins is controlled with the DIO register *LCD\_NUM*. *LCD\_NUM* can be assigned any number between 0 and 18. The first dual-purpose pin to be allocated as LCD is SEG37/DIO17. Thus if *LCD\_NUM*=5, SEG37 will be configured as LCD. The remaining SEG36 to SEG24 will be configured as DIO16 to DIO4. DIO1 and DIO2 are always available, if not used for the optical port.



Pins CKTEST/SEG19, E\_RXTX/SEG38, E\_TCLK/SEG33, and E\_RST/SEG32 are not affected by *LCD\_NUM*.

<i>LCD_NUM</i>	SEG in Addition to SEG0-SEG19	Total Number of LCD Segment Pins Including SEG0-SEG19	DIO Pins in Addition to DIO1-DIO2	Total Number of DIO Pins Including DIO1, DIO2
0	-	19	4-11, 14-17	14
1	-	19	4-11, 14-17	14
2	-	19	4-11, 14-17	14
3	-	19	4-11, 14-17	14
4	-	19	4-11, 14-17	14
5	37	20	4-11, 14-16	13
6	36-37	21	4-11, 14-15	12
7	35-37	22	4-11, 14	11
8	34-37	23	4-11	10
9	34-37	23	4-11	10
10	34-37	23	4-11	10
11	31, 34-37	24	4-10	9
12	30-31, 34-37	25	4-9	8
13	29-31, 34-37	26	4-8	7
14	28-31, 34-37	27	4-7	6
15	27-31, 34-37	28	4-6	5
16	26-31, 34-37	29	4-5	4
17	25-31, 34-37	30	4	3
18	24-31, 34-37	31	None	2



LCD segment numbers are given without CKTEST/SEG19, E\_RXTX/SEG38, E\_TCLK/SEG33, and E\_RST/SEG32.

**Table 60: LCD and DIO Pin Assignment by *LCD\_NUM***

### Connecting I<sup>2</sup>C EEPROMs

I<sup>2</sup>C EEPROMs or other I<sup>2</sup>C compatible devices should be connected to the DIO pins DIO4 and DIO5, as shown in Figure 31. Pull-up resistors of roughly 10kΩ to V3P3D (to ensure operation in BROWNOUT mode) should be used for both SCL and SDA signals. The *DIO\_EXX* register in I/O RAM must be set to 01 in order to convert the DIO pins DIO4 and DIO5 to I<sup>2</sup>C pins SCL and SDA.

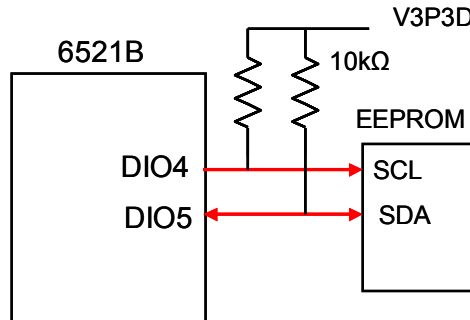


Figure 31: I<sup>2</sup>C EEPROM Connection

### Connecting Three-Wire EEPROMs

μWire EEPROMs and other compatible devices should be connected to the DIO pins DIO4 and DIO5, as shown in Figure 32. DIO5 connects to both the DI and DO pins of the three-wire device. The CS pin must be connected to a vacant DIO pin of the 71M6521BE. A pull-up resistor of roughly 10kΩ to V3P3D (to ensure operation in BROWNOUT mode) should be used for the DI/DO signals, and the CS pin should be pulled down with a resistor to prevent that the three-wire device is selected on power-up, before the 71M6521BE can establish a stable signal for CS. The *DIO\_EXX* register in I/O RAM must be set to 10 in order to convert the DIO pins DIO4 and DIO5 to uWire pins. The pull-up resistor for DIO5 may not be necessary.

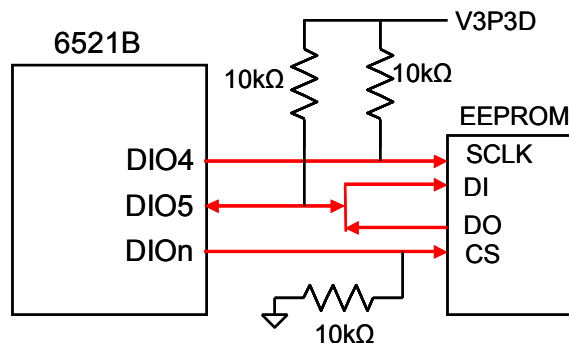
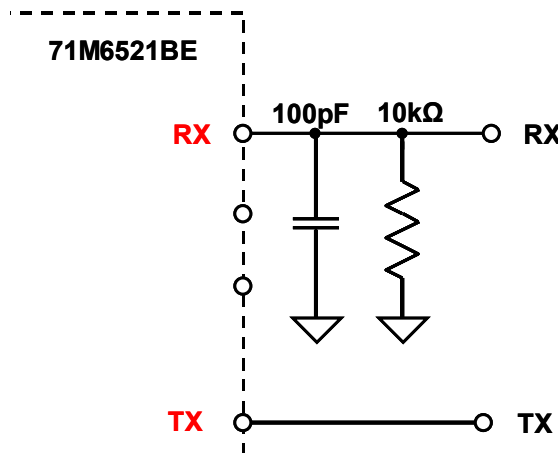


Figure 32: Three-Wire EEPROM Connection

### UART0 (TX/RX)

The RX pin should be pulled down by a 10kΩ resistor and additionally protected by a 100pF ceramic capacitor, as shown in Figure 33.



**Figure 33: Connections for the RX Pin**

### Optical Interface

The pins OPT\_TX and OPT\_RX can be used for a regular serial interface, e.g. by connecting a RS-232 transceiver, or they can be used to directly operate optical components, e.g. an infrared diode and phototransistor implementing a FLAG interface. Figure 34 shows the basic connections. The OPT\_TX pin becomes active when the I/O RAM register *OPT\_TXDIS* is set to 0.

The polarity of the OPT\_TX and OPT\_RX pins can be inverted with configuration bits *OPT\_TXINV* and *OPT\_RXINV*, respectively.

The OPT\_TX output may be modulated at 38kHz when system power is present. Modulation is not available in BROWNOUT mode. The *OPT\_TXMOD* bit enables modulation. The duty cycle is controlled by *OPT\_FDC[1:0]*, which can select 50%, 25%, 12.5%, and 6.25% duty cycle. A 6.25% duty cycle means OPT\_TX is low for 6.25% of the period.

The receive pin (OPT\_RX) may need an analog filter when receiving modulated optical signals.



With modulation, an optical emitter can be operated at higher current than nominal, enabling it to increase the distance along the optical path.



If operation in BROWNOUT mode is desired, the external components should be connected to V3P3D.



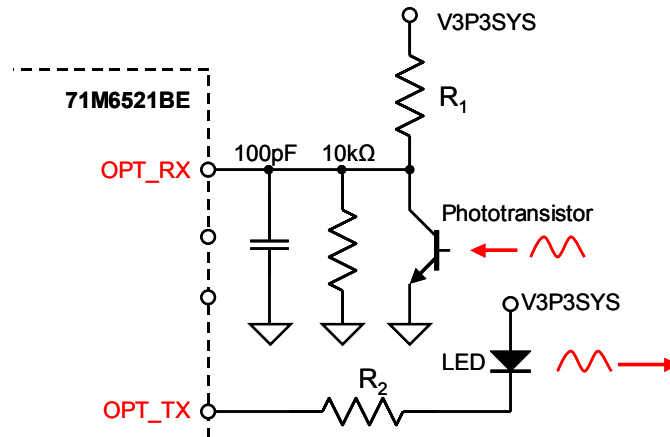


Figure 34: Connection for Optical Components

### Connecting V1 and Reset Pins

A voltage divider should be used to establish that V1 is in a safe range when the meter is in mission mode (V1 must be lower than 2.9V in all cases in order to keep the hardware watchdog timer enabled). For proper debugging or loading code into the 71M6521BE mounted on a PCB, it is necessary to have a provision like the header shown above R1 in Figure 35. A shorting jumper on this header pulls V1 up to V3P3 disabling the hardware watchdog timer.

The parallel impedance of R1 and R2 should be approximately 20 to 30kΩ in order to provide hysteresis for the power fault monitor.

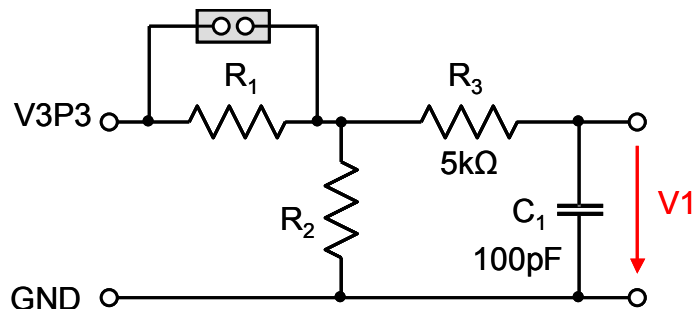


Figure 35: Voltage Divider for V1

Even though a functional meter will not necessarily need a reset switch, it is useful to have a reset pushbutton for prototyping, as shown in Figure 36, left side. The RESET signal may be sourced from V3P3SYS (functional in MISSION mode only), V3P3D (MISSION and BROWNOUT modes), VBAT (all modes, if battery is present), or from a combination of these sources, depending on the application. When the 71M6521BE is used in an EMI environment, the RESET pin should be protected by the external components shown in Figure 36, right side. R1 should be in the range of 100Ω and mounted as closely as possible to the IC.



Since the 71M6521BE generates its own power-on reset, a reset button or circuitry, as shown in Figure 36, left side, is only required for test units and prototypes.

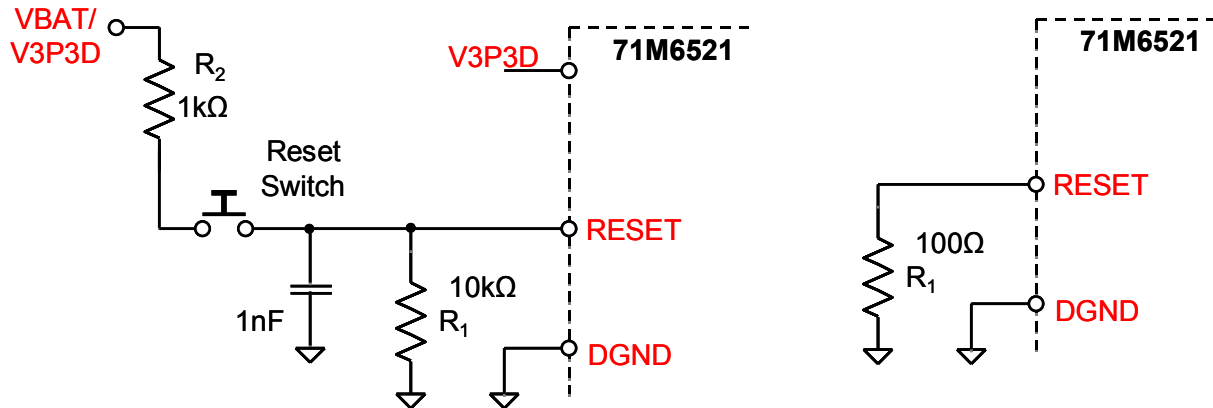


Figure 36: External Components for the RESET Pin: Push-Button (Left), EMI Circuit (Right)

### Connecting the Emulator Port Pins

Capacitors to ground must be used for protection from EMI. Production boards should have the ICE\_E pin connected to ground.

If the ICE pins are used to drive LCD segments, the pull-up resistors should be omitted, as shown in Figure 37, and 22pF capacitors to GNDD should be used for protection from EMI.

**It is important to bring out the ICE\_E pin to the programming interface in order to create a way for reprogramming parts that have the flash *SECURE* bit (SFR 0xB2[6]) set.** Providing access to ICE\_E ensures that the part can be reset between erase and program cycles, which will enable programming devices to reprogram the part. The reset required is implemented with a watchdog timer reset (i.e. the hardware WDT must be enabled).

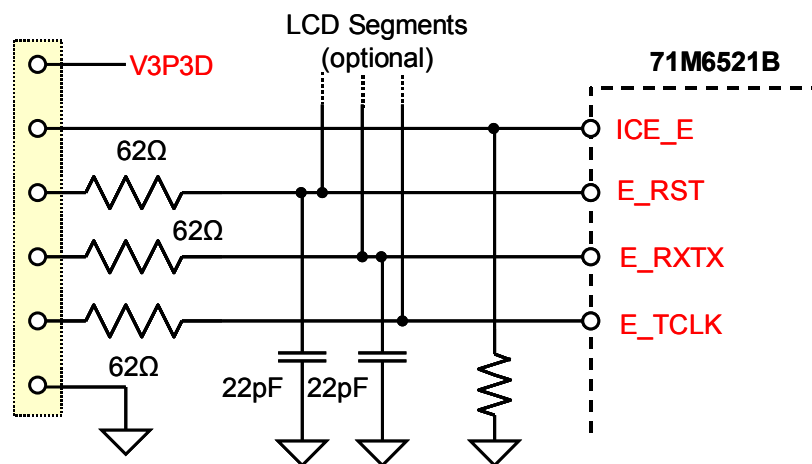


Figure 37: External Components for the Emulator Interface

## Crystal Oscillator

The oscillator of the 71M6521BE drives a standard 32.768kHz watch crystal. The oscillator has been designed specifically to handle these crystals and is compatible with their high impedance and limited power handling capability. The oscillator power dissipation is very low to maximize the lifetime of any battery backup device attached to VBAT.

Board layouts with minimum capacitance from XIN to XOUT will require less battery current. Good layouts will have XIN and XOUT shielded from each other.



Since the oscillator is self-biasing, an external resistor must not be connected across the crystal.

With a typical 32kHz crystal, the 71M6521BE needs 600 to 650 milliseconds to stabilize the oscillator clock after power-up. This time is added to the 125ms (4096 CK32 cycles) for the PLL\_OK signal to become true which is required for the part to enter MISSION mode.

## Flash Programming

Operational or test code can be programmed into the flash memory using either an in-circuit emulator or the Flash Programmer Module (TFP-1) available from TERIDIAN. The flash programming procedure uses the E\_RST, E\_RXTX, and E\_TCLK pins.

## MPU Firmware Library

All application-specific MPU functions mentioned above under "Application Information" are available from TERIDIAN as a standard ANSI C library and as ANSI "C" source code. The code is available as part of the Demonstration Kit for the 71M6521BE IC. The Demonstration Kits come with the 71M6521BE IC preprogrammed with demo firmware mounted on a functional sample meter PCB (Demo Board). The Demo Boards allow for quick and efficient evaluation of the IC without having to write firmware or having to supply an in-circuit emulator (ICE).

## Meter Calibration

Once the TERIDIAN 71M6521BE energy meter device has been installed in a meter system, it has to be calibrated for tolerances of the current sensors, voltage dividers and signal conditioning components. The device can be calibrated using the gain and phase adjustment factors accessible to the CE. The gain adjustment is used to compensate for tolerances of components used for signal conditioning, especially the resistive components. Phase adjustment is provided to compensate for phase shifts introduced by the current sensors.

Due to the flexibility of the MPU firmware, any calibration method, such as calibration based on energy, or current and voltage can be implemented. It is also possible to implement segment-wise calibration (depending on current range).

The 71M6521BE supports common industry standard calibration techniques, such as single-point (energy-only), multi-point (energy, Vrms, Irms), and auto-calibration.

## FIRMWARE INTERFACE

### I/O RAM MAP – In Numerical Order

'Not Used' bits are grayed out, contain no memory and are read by the MPU as zero. *RESERVED* bits may be in use and should not be changed. This table lists only the SFR registers that are not generic 8051 SFR registers.

Name	Addr	Bit 7	Bit 6	Bit 5	Bit 4	Bit 3	Bit 2	Bit 1	Bit 0	
<b>Configuration:</b>										
CE0	2000	<i>EQU</i> [2:0]			<i>CE_E</i>	Reserved				
CE1	2001	<i>PRE_SAMPS</i> [1:0]			<i>SUM_CYCLES</i> [5:0]					
CE2	2002	<i>MUX_DIV</i> [1:0]		<i>CHOP_E</i> [1:0]		<i>RTM_E</i>	<i>WD_OVF</i>	Reserved*	<i>EX_XFR</i>	
COMP0	2003	Not Used	<i>PLL_OK</i>	Not Used	Reserved		Reserved	Reserved	<i>COMP_STAT</i> [0]	
CONFIG0	2004	<i>VREF_CAL</i>	<i>PLS_INV</i>	<i>CKOUT_E</i> [1:0]		<i>VREF_DIS</i>	<i>MPU_DIV</i> [2:0]			
CONFIG1	2005	Reserved	Reserved	<i>ECK_DIS</i>	<i>FIR_LEN</i>	<i>ADC_E</i>	<i>MUX_ALT</i>	<i>FLSH66Z</i>	Reserved	
VERSION	2006	<i>VERSION</i> [7:0]								
CONFIG2	2007	<i>OPT_TXE</i> [1:0]		<i>EX_PLL</i>	<i>EX_FWCOL</i>	Reserved		<i>OPT_FDC</i> [1:0]		
CE3	20A8	Not Used	Not Used	Not Used	<i>CE_LCTN</i> [4:0]					
WAKE	20A9	<i>WAKE_ARM</i>	<i>SLEEP</i>	<i>LCD_ONLY</i>	Not Used	<i>WAKE_RES</i>	<i>WAKE_PRD</i> [2:0]			
TMUX	20AA	Not Used	Not Used	Not Used	<i>TMUX</i> [4:0]					
<b>Digital I/O:</b>										
DIO0	2008	<i>DIO_EEX</i> [1:0]		<i>OPT_RXDIS</i>	<i>OPT_RXINV</i>	<i>DIO_PW</i>	<i>DIO_PV</i>	<i>OPT_TXMOD</i>	<i>OPT_TXINV</i>	
DIO1	2009	Not Used	<i>DIO_R1</i> [2:0]			Not Used	<i>DI_RPB</i> [2:0]			
DIO2	200A	Not Used	Reserved			Not Used	<i>DIO_R2</i> [2:0]			
DIO3	200B	Not Used	<i>DIO_R5</i> [2:0]			Not Used	<i>DIO_R4</i> [2:0]			
DIO4	200C	Not Used	<i>DIO_R7</i> [2:0]			Not Used	<i>DIO_R6</i> [2:0]			
DIO5	200D	Not Used	<i>DIO_R9</i> [2:0]			Not Used	<i>DIO_R8</i> [2:0]			
DIO6	200E	Not Used	<i>DIO_R11</i> [2:0]			Not Used	<i>DIO_R10</i> [2:0]			
WE	201F	Reserved								
<b>LCD Display Interface:</b>										
LCDX	2020	Not Used	<i>BME</i>	Reserved	<i>LCD_NUM</i> [4:0]					
LCDY	2021	Not Used	<i>LCD_Y</i>	<i>LCD_E</i>	<i>LCD_MODE</i> [2:0]			<i>LCD_CLK</i> [1:0]		
LCDZ	2022	Not Used	Not Used	Not Used	Reserved					
LCD0	2030	Not Used				<i>LCD_SEG0</i> [3:0]				
...	...	Not Used				...				
LCD19	2043	Not Used				<i>LCD_SEG19</i> [3:0]				
LCD24	2048	Not Used				<i>LCD_SEG24</i> [3:0]				
...	...	Not Used				...				
LCD38	2056	Not Used				<i>LCD_SEG38</i> [3:0]				
LCD_BLNK	205A	<i>LCD_BLKMAP19</i> [3:0]				<i>LCD_BLKMAP18</i> [3:0]				

\* Must be set to 0 (CE2 bit 1)

<b>RTM Probes:</b>		
RTM0	2060	<i>RTM0[7:0]</i>
RTM1	2061	<i>RTM1[7:0]</i>
RTM2	2062	<i>RTM2[7:0]</i>
RTM3	2063	<i>RTM3[7:0]</i>
<b>Pulse Generator:</b>		
PLS_W	2080	<i>PLS_MAXWIDTH[7:0]</i>
PLS_I	2081	<i>PLS_INTERVAL[7:0]</i>

### SFR MAP (SFRs Specific to TERIDIAN 80515) – In Numerical Order

'Not Used' bits are blacked out and contain no memory and are read by the MPU as zero. *RESERVED* bits are in use and should not be changed. This table lists only the SFR registers that are not generic 8051 SFR registers

Name	SFR	Bit 7	Bit 6	Bit 5	Bit 4	Bit 3	Bit 2	Bit 1	Bit 0	
<b>Digital I/O:</b>										
DIO7	80	<i>DIO_0[7:4] (Port 0)</i>				Reserved	<i>DIO_0[2:1]</i>		<i>PB</i>	
DIO8	A2	<i>DIO_DIR0[7:4]</i>				Reserved	<i>DIO_DIR0[2:1]</i>		Reserved	
DIO9	90	<i>DIO_1[7:6]</i>		Reserved		<i>DIO_1[3:0] (Port 1)</i>				
DIO10	91	<i>DIO_DIR1[7:6]</i>		Reserved		<i>DIO_DIR1[3:0]</i>				
DIO11	A0	Not Used	Not Used	Reserved			Reserved	<i>DIO_2[1:0] (Port 2)</i>		
DIO12	A1	Not Used	Not Used	Reserved			Reserved	<i>DIO_DIR2[1:0]</i>		
<b>Interrupts and WD Timer:</b>										
INTBITS	F8		<i>INT6</i>	<i>INT5</i>	<i>INT4</i>	<i>INT3</i>	<i>INT2</i>	<i>INT1</i>	<i>INT0</i>	
IFLAGS	E8	<i>IE_PLLFALL</i> <i>WD_RST</i>	<i>IE_PLLRISE</i>	<i>IE_WAKE</i>	<i>IE_PB</i>	<i>IE_FWCOL1</i>	<i>IE_FWCOL0</i>	Reserved	<i>IE_XFER</i>	
<b>Flash:</b>										
ERASE	94	<i>FLSH_ERASE[7:0]</i>								
FLSHCTL	B2	<i>PREBOOT</i>	<i>SECURE</i>	Not Used	Not Used	Not Used	Not Used	<i>FLSH_MEEN</i>	<i>FLSH_PWE</i>	
PGADR	B7	<i>FLSH_PGADR[6:0]</i>							Not Used	
<b>Serial EEPROM:</b>										
EEDATA	9E	<i>EEDATA[7:0]</i>								
EECTRL	9F	<i>EECTRL[7:0]</i>								


### I/O RAM DESCRIPTION – Alphabetical Order




Bits with a W (write) direction are written by the MPU into configuration RAM. Typically, they are initially stored in flash memory and copied to the configuration RAM by the MPU. Some of the more frequently programmed bits are mapped to the MPU SFR memory space. The remaining bits are mapped to 2xxx. Bits with R (read) direction can be read by the MPU. Columns labeled Rst and Wk describe the bit values upon reset and wake, respectively. No entry in one of these columns means the bit is either read-only or is powered by the nonvolatile supply and is not initialized. Write only bits will return zero when they are read.

Name	Location	Rst	Wk	Dir	Description																											
<i>ADC_E</i>	2005[3]	0	0	R/W	Enables ADC and VREF. When disabled, removes bias current																											
<i>BME</i>	2020[6]	0	-	R/W	Battery Measure Enable. When set, a load current is immediately applied to the battery and it is connected to the ADC to be measured on Alternative Mux Cycles. See <i>MUX_ALT</i> bit.																											
<i>CE_E</i>	2000[4]	0	0	R/W	CE enable.																											
<i>CE_LCTN[4:0]</i>	20A8[4:0]	1F	1F	R/W	CE program location. The starting address for the CE program is $1024 * CE\_LCTN$ . <b><i>CE_LCTN</i> must be defined before the CE is started.</b>																											
<i>CHOP_E[1:0]</i>	2002[5:4]	0	0	R/W	Chop enable for the reference bandgap circuit. The value of CHOP will change on the rising edge of MUXSYNC according to the value in <i>CHOP_E</i> : 00-toggle <sup>1</sup> 01-positive 10-reversed 11-toggle <sup>1</sup> except at the mux sync edge at the end of SUMCYCLE.																											
<i>CKOUT_E[1:0]</i>	2004[5,4]	00	00	R/W	CKTEST Enable. The default is 00 00-SEG19, 01-CK_FIR (5MHz Mission, 32kHz Brownout) 10-Not allowed (reserved for production test) 11-Same as 10.																											
<i>COMP_STAT[0]</i>	2003[0]	--	--	R	The status of the power fail comparator for V1.																											
<i>DI_RPB[2:0]</i> <i>DIO_R1[2:0]</i> <i>DIO_R2[2:0]</i> <i>DIO_R4[2:0]</i> <i>DIO_R5[2:0]</i> <i>DIO_R6[2:0]</i> <i>DIO_R7[2:0]</i> <i>DIO_R8[2:0]</i> <i>DIO_R9[2:0]</i> <i>DIO_R10[2:0]</i> <i>DIO_R11[2:0]</i>	2009[2:0] 2009[6:4] 200A[2:0] 200B[2:0] 200B[6:4] 200C[2:0] 200C[6:4] 200D[2:0] 200D[6:4] 200E[2:0] 200E[6:4]	0 0 0 0 0 0 0 0 0 0 0	0 0 0 0 0 0 0 0 0 0 0	R/W	Connects dedicated I/O pins DIO2 and DIO4 through DIO11 as well as input pins PB and OPT_RX/DIO1 to internal resources. If more than one input is connected to the same resource, the 'MULTIPLE' column below specifies how they are combined.																											
<table border="1" style="width: 100%; border-collapse: collapse;"> <thead> <tr style="background-color: #ffff00;"> <th>DIO Rx</th> <th>Resource</th> <th>MULTIPLE</th> </tr> </thead> <tbody> <tr> <td>000</td> <td>NONE</td> <td>--</td> </tr> <tr> <td>001</td> <td>Reserved</td> <td>OR</td> </tr> <tr> <td>010</td> <td>T0 (Timer0 clock or gate)</td> <td>OR</td> </tr> <tr> <td>011</td> <td>T1 (Timer1 clock or gate)</td> <td>OR</td> </tr> <tr> <td>100</td> <td>High priority IO interrupt (int0 rising)</td> <td>OR</td> </tr> <tr> <td>101</td> <td>Low priority IO interrupt (int1 rising)</td> <td>OR</td> </tr> <tr> <td>110</td> <td>High priority IO interrupt (int0 falling)</td> <td>OR</td> </tr> <tr> <td>111</td> <td>Low priority IO interrupt (int1 falling)</td> <td>OR</td> </tr> </tbody> </table>						DIO Rx	Resource	MULTIPLE	000	NONE	--	001	Reserved	OR	010	T0 (Timer0 clock or gate)	OR	011	T1 (Timer1 clock or gate)	OR	100	High priority IO interrupt (int0 rising)	OR	101	Low priority IO interrupt (int1 rising)	OR	110	High priority IO interrupt (int0 falling)	OR	111	Low priority IO interrupt (int1 falling)	OR
DIO Rx	Resource	MULTIPLE																														
000	NONE	--																														
001	Reserved	OR																														
010	T0 (Timer0 clock or gate)	OR																														
011	T1 (Timer1 clock or gate)	OR																														
100	High priority IO interrupt (int0 rising)	OR																														
101	Low priority IO interrupt (int1 rising)	OR																														
110	High priority IO interrupt (int0 falling)	OR																														
111	Low priority IO interrupt (int1 falling)	OR																														
<i>DIO_DIR0[7:4,2:1]</i>	SFRA2 [7:4,2:0]	0	0	R/W	Programs the direction of pins DIO7-DIO4 and DIO2-DIO1. 1 indicates output. Ignored if the pin is not configured as I/O. See <i>DIO_PV</i> and <i>DIO_PW</i> for special option for DIO6 and DIO7 outputs. See <i>DIO_EEX</i> for special option for DIO4 and DIO5.																											

<i>DIO_DIR1</i> [7:6, 3:0]	SFR91 [7:6,3:0]	0	0	R/W	Programs the direction of pins DIO15-DIO14, DIO11-DIO8. 1 indicates output. Ignored if the pin is not configured as I/O.										
<i>DIO_DIR2</i> [5:3,2:1]	SFRA1 [5:3,2:1]	0	0	R/W	Programs the direction of pins DIO17-DIO16. 1 indicates output. Ignored if the pin is not configured as I/O.										
<i>DIO_0</i> [7:4,2:0]	SFR80 [7:4,2:0]	0	0	R/W	The value on the pins DIO7-DIO4 and DIO2-DIO1. Pins configured as LCD will read zero. When written, changes data on pins configured as outputs. Pins configured as LCD or input will ignore write operations. The pushbutton input PB is read on <i>DIO_0</i> [0].										
<i>DIO_1</i> [7:6,3:0]	SFR90 [7:6,3:0]	0	0	R/W	The value on the pins DIO15-DIO14 and DIO11-DIO8. Pins configured as LCD will read zero. When written, changes data on pins configured as outputs. Pins configured as LCD or input will ignore write operations.										
<i>DIO_2</i> [5:3,1:0]	SFRA0 [5:3,1:0]	0	0	R/W	The value on the pins DIO17-DIO16. Pins configured as LCD will read zero. When written, changes data on pins configured as outputs. Pins configured as LCD or input will ignore write operations.										
<i>DIO_EEX</i> [1:0]	2008[7:6]	0	0	R/W	When set, converts DIO4 and DIO5 to interface with external EEPROM. DIO4 becomes SDCK and DIO5 becomes bi-directional SDATA. <i>LCD_NUM</i> must be less than or equal to 18. <table border="1" style="margin: 10px auto; border-collapse: collapse;"> <thead> <tr> <th style="background-color: yellow;">DIO_EEX[1:0]</th> <th style="background-color: yellow;">Function</th> </tr> </thead> <tbody> <tr> <td>00</td> <td>Disable EEPROM interface</td> </tr> <tr> <td>01</td> <td>2-Wire EEPROM interface</td> </tr> <tr> <td>10</td> <td>3-Wire EEPROM interface</td> </tr> <tr> <td>11</td> <td>--not used--</td> </tr> </tbody> </table>	DIO_EEX[1:0]	Function	00	Disable EEPROM interface	01	2-Wire EEPROM interface	10	3-Wire EEPROM interface	11	--not used--
DIO_EEX[1:0]	Function														
00	Disable EEPROM interface														
01	2-Wire EEPROM interface														
10	3-Wire EEPROM interface														
11	--not used--														
<i>DIO_PW</i>	2008[3]	0	0	R/W	Causes WPULSE to be output on DIO6, if DIO6 is configured as output. <i>LCD_NUM</i> must be less than 16.										
<i>EEDATA</i> [7:0]	SFR9E	0	0	R/W	Serial EEPROM interface data										
<i>EECTRL</i> [7:0]	SFR9F	0	0	R/W	Serial EEPROM interface control										
<i>ECK_DIS</i>	2005[5]	0	0	R/W	Emulator clock disable. When one, the emulator clock is disabled. <div style="display: flex; align-items: center; margin-top: 5px;"> <p><b>This bit is to be used with caution! Inadvertently setting this bit will inhibit access to the part with the ICE interface and thus preclude flash erase and programming operations.</b> If <i>ECK_DIS</i> is set to zero, it should be done at least 1000ms after power-up to give emulators and programming devices enough time to complete an erase operation.</p> </div>										
<i>EQU</i> [2:0]	2000[7:5]	0	0	R/W	Specifies the power equation to be used by the CE.										
<i>EX_XFR</i> Reserved <i>EX_FWCOL</i> <i>EX_PLL</i>	2002[0] 2001[1] 2007[4] 2007[5]	0 0 0 0	0 0 0 0	R/W	Interrupt enable bits. These bits enable the XFER_BUSY, the Firmware Collision, and PLL interrupts. Note that if one of these interrupts is to be enabled, its corresponding 8051 EX enable must also be set. See the Interrupts section for details. <b>Note that bit 2001[1] must always be 0.</b>										
<i>FIR_LEN</i>	2005[4]	0	0	R/W	The length of the ADC decimation FIR filter. 1-384 cycles, 0-288 cycles When <i>FIR_LEN</i> =1, the ADC has 2.370370x higher gain.										



<i>FLSH_ERASE[7:0]</i>	SFR94[7:0]	0	0	W	<p><b>Flash Erase Initiate</b>  <i>FLSH_ERASE</i> is used to initiate either the Flash Mass Erase cycle or the Flash Page Erase cycle. Specific patterns are expected for <i>FLSH_ERASE</i> in order to initiate the appropriate Erase cycle.</p> <p>(default = 0x00).            0x55 – Initiate Flash Page Erase cycle. Must be proceeded by a write to <i>FLSH_PGADR</i> @ SFR 0xB7.            0xAA – Initiate Flash Mass Erase cycle. Must be proceeded by a write to <i>FLSH_MEEN</i> @ SFR 0xB2 and the debug (CC) port must be enabled.            Any other pattern written to <i>FLSH_ERASE</i> will have no effect.</p>
<i>FLSH_MEEN</i>	SFRB2[1]	0	0	W	<p><b>Mass Erase Enable</b>            0 – Mass Erase disabled (default).            1 – Mass Erase enabled.  <b>Must be re-written for each new Mass Erase cycle.</b></p>
<i>FLSH_PGADR[6:0]</i>	SFRB7[7:1]	0	0	W	<p><b>Flash Page Erase Address</b>  <i>FLSH_PGADR[6:0]</i> – Flash Page Address (page 0 thru 127) that will be erased during the Page Erase cycle. (default = 0x00).  <b>Must be re-written for each new Page Erase cycle.</b></p>
<i>FLSH_PWE</i>	SFRB2[0]	0	0	R/W	<p><b>Program Write Enable</b>            0 – MOVX commands refer to XRAM Space, normal operation (default).            1 – MOVX @DPTR,A moves A to Program Space (Flash) @ DPTR. This bit is automatically reset after each byte written to flash. Writes to this bit are inhibited when interrupts are enabled.</p>
<i>FOVRIDE</i>	20FD[4]	0	0	R/W	Permits the values written by MPU to temporarily override the values in the fuse register (reserved for production test).
<i>IE_FWCOL0</i>	SFRE8[2]	0	0	R/W	Interrupt flags for Firmware Collision Interrupt. See Flash Memory Section for details.
<i>IE_FWCOL1</i>	SFRE8[3]	0	0	R/W	
<i>IE_PB</i>	SFRE8[4]	0	--	R/W	PB flag. Indicates that a rising edge occurred on PB. Firmware must write a zero to this bit to clear it. The bit is also cleared when MPU requests SLEEP or LCD mode. On bootup, the MPU can read this bit to determine if the part was woken with the PB DIO0[0].
<i>IE_PLLRISE</i>	SFRE8[6]	0	0	R/W	Indicates that the MPU was woken or interrupted (int 4) by System power becoming available, or more precisely, by PLL_OK rising. Firmware must write a zero to this bit to clear it
<i>IE_PLLFALL</i>	SFRE8[7]	0	0	R/W	Indicates that the MPU has entered BROWNOUT mode because System power has become unavailable (int 4), or more precisely, because PLL_OK fell.
<i>IE_XFER</i>	SFRE8[0]	0	0	R/W	<p> Note: this bit will not be set if the part wakes into BROWNOUT mode because of PB or the WAKE timer. Firmware must write a zero to this bit to clear it.</p> <p>Interrupt flag. This flag monitors the XFER_BUSY interrupt. The flag is set by hardware and must be cleared by the interrupt handler. Note that IE6, the interrupt 6 flag bit in the 8051 must also be cleared when this interrupt occurs.</p>
<i>IE_WAKE</i>	SFRE8[5]	0	--	R/W	Indicates that the MPU was woken by the autowake timer. This bit is typically read by the MPU on bootup. Firmware must write a zero to this bit to clear it

<i>INTBITS</i>	SFRF8[6:0]	--	--	R/W	Interrupt inputs. The MPU may read these bits to see the input to external interrupts INT0, INT1, up to INT6. These bits do not have any memory and are primarily intended for debug use.
<i>LCD_BLKMAP19[3:0]</i> <i>LCD_BLKMAP18[3:0]</i>	205A[7:4] 205A[3:0]	0	--	R/W	Identifies which segments connected to SEG18 and SEG19 should blink. 1 means 'blink.' Most significant bit corresponds to COM3. Least significant, to COM0.
<i>LCD_CLK[1:0]</i>	2021[1:0]	0	--	R/W	Sets the LCD clock frequency (for COM/SEG pins, <u>not</u> frame rate).   Note: $f_w = 32768\text{Hz}$ 00: $f_w/2^9$ , 01: $f_w/2^8$ , 10: $f_w/2^7$ , 11: $f_w/2^6$
<i>LCD_E</i>	2021[5]	0	--	R/W	Enables the LCD display. When disabled, VLC2, VLC1, and VLC0 are ground as are the COM and SEG outputs.
<i>LCD_MODE[2:0]</i>	2021[4:2]	0	--	R/W	The LCD bias mode. 000: 4 states, 1/3 bias 001: 3 states, 1/3 bias 010: 2 states, 1/2 bias 011: 3 states, 1/2 bias 100: static display
<i>LCD_NUM[4:0]</i>	2020[4:0]	0	--	R/W	Number of dual-purpose LCD/DIO pins to be configured as LCD. This will be a number between 0 and 18. The first dual-purpose pin to be allocated as LCD is SEG37/DIO17 if <i>LCD_NUM</i> =5. If <i>LCD_NUM</i> =6, SEG36 and SEG 37 will be configured as LCD. The remaining SEG35 to SEG24 will be configured as DIO16 to DIO4. DIO1 and DIO2 are always available, if not used for the optical port. See tables in Application Section.
<i>LCD_ONLY</i>	20A9[5]	0	0	W	Takes the device to LCD mode. Ignored if system power is present. The part will awaken when autowake timer times out, when push button is pushed, or when system power returns.
<i>LCD_SEG0[3:0]</i> ... <i>LCD_SEG19[3:0]</i>	2030[3:0] ... 2043[3:0]	0 ... 0	-- ... --	R/W	 <b>These bits are preserved in LCD and SLEEP modes, even if their pin is not configured as SEG. In this case, they can be useful as general-purpose non-volatile storage.</b>
<i>LCD_SEG24[3:0]</i> ... <i>LCD_SEG38[3:0]</i>	2048[3:0] ... 2056[3:0]	0 ... 0	-- ... --	R/W	
<i>LCD_Y</i>	2021[6]	0	0	R/W	
<i>MPU_DIV[2:0]</i>	2004[2:0]	0	0	R/W	LCD Blink Frequency (ignored if blink is disabled or if segment is off). 0: 1Hz (500ms ON, 500ms OFF) 1: 0.5Hz (1s ON, 1s OFF)
<i>MUX_ALT</i>	2005[2]	0	0	R/W	The MPU clock divider (from 4.9152MHz). These bits may be programmed by the MPU without risk of losing control. 000-4.9152MHz, 001-4.9152MHz / 2 <sup>1</sup> , ..., 111-4.9152MHz / 2 <sup>7</sup> <i>MPU_DIV</i> remains unchanged when the part enters BROWNOUT mode.
<i>MUX_DIV[1:0]</i>	2002[7:6]	0	0	R/W	The MPU asserts this bit when it wishes the MUX to perform ADC conversions on an alternate set of inputs. The number of states in the input multiplexer.   00- illegal 01- 4 states 10-3 states 11-2 states

<i>OPT_FDC[1:0]</i>	2007[1:0]	0	0	R/W	Selects OPT_TX modulation duty cycle	
					<b>OPT_FDC</b>	<b>Function</b>
					00	50% Low
					01	25% Low
					10	12.5% Low
11	6.25% Low					
<i>OPT_RXDIS</i>	2008[5]	0	0	R/W	OPT_RX can be configured as an analog input to the optical UART comparator or as a digital input/output, DIO1. 0—OPT_RX, 1—DIO1.	
<i>OPT_RXINV</i>	2008[4]	0	0	R/W	Inverts result from OPT_RX comparator when 1. Affects only the UART input. Has no effect when OPT_RX is used as a DIO input.	
<i>OPT_TXE[1,0]</i>	2007[7,6]	00	00	R/W	Configures the OPT_TX output pin. 00—OPT_TX, 01—DIO2, 10—WPULSE, 11—RESERVED	
<i>OPT_TXINV</i>	2008[0]	0	0	R/W	Invert OPT_TX when 1. This inversion occurs before modulation.	
<i>OPT_TXMOD</i>	2008[1]	0	0	R/W	Enables modulation of OPT_TX. When <i>OPT_TXMOD</i> is set, OPT_TX is modulated when it would otherwise have been zero. The modulation is applied after any inversion caused by <i>OPT_TXINV</i> .	
<i>PLL_OK</i>	2003[6]	0	0	R	Indicates that system power is present and the clock generation PLL is settled.	
<i>PLS_MAXWIDTH [7:0]</i>	2080[7:0]	FF	FF	R/W	Determines the maximum width of the pulse (low going pulse). Maximum pulse width is $(2 * PLS\_MAXWIDTH + 1) * T_1$ . Where $T_1$ is PLS_INTERVAL. If PLS_INTERVAL=0, $T_1$ is the sample time (397µs). If 255, disable <i>MAXWIDTH</i> .	
<i>PLS_INTERVAL [7:0]</i>	2081[7:0]	0	0	R/W	If the FIFO is used, <i>PLS_INTERVAL</i> must be set to 81. If <i>PLS_INTERVAL</i> = 0, the FIFO is not used and pulses are output as soon as the CE issues them.	
<i>PLS_INV</i>	2004[6]	0	0	R/W	Inverts the polarity of WPULSE. Normally, these pulses are active low. When inverted, they become active high.	
<i>PREBOOT</i>	SFRB2[7]	--	--	R	Indicates that preboot sequence is active.	
<i>PRE_SAMPS[1:0]</i>	2001[7:6]	0	0	R/W	The duration of the pre-summer, in samples. 00-42, 01-50, 10-84, 11-100.	
<i>RTM_E</i>	2002[3]	0	0	R/W	Real Time Monitor enable. When '0', the RTM output is low. This bit enables the two wire version of RTM	
<i>RTM0[7:0]</i>	2060	0	0	R/W	Four RTM probes. Before each CE code pass, the values of these registers are serially output on the RTM pin. The <i>RTM</i> registers are ignored when <i>RTM_E</i> =0.	
<i>RTM1[7:0]</i>	2061	0	0			
<i>RTM2[7:0]</i>	2062	0	0			
<i>RTM3[7:0]</i>	2063	0	0			
<i>SECURE</i>	SFRB2[6]	0	--	R/W	Enables security provisions that prevent external reading of flash memory and CE program RAM. This bit is reset on chip reset and may only be set. Attempts to write zero are ignored.	
<i>SLEEP</i>	20A9[6]	0	0	W	Takes the 6521BE to sleep mode. Ignored if system power is present. The 6521BE will wake when the autowake timer times out, when push button is pushed, or when system power returns.	
<i>SUM_CYCLES[5:0]</i>	2001[5:0]	0	0	R/W	The number of pre-summer outputs summed in the final summer.	

<i>TMUX[4:0]</i>	20AA[4:0]	2	--	R/W	Selects one of 32 signals for TMUXOUT.				
					<b>[4:0]</b>	<b>Selected Signal</b>	<b>[4:0]</b>	<b>Selected Signal</b>	
					0x00	DGND (analog)	0x01	Reserved	
					0x02	Reserved	0x03	Reserved	
					0x04	Reserved	0x05	Reserved	
					0x06	VBIAS (analog)	0x07	Not used	
					0x08	Reserved	0x09	Reserved	
					0x0A	Reserved	0x0B	Reserved	
							-0x13		
					0x14	RTM (Real time output from CE)	0x15	WDTR_E, comparator 1 Output AND V1LT3)	
					0x16 – 0x17	Not used	0x18	RXD, from optical interface, after optional inversion	
					0x19	MUX_SYNC	0x1A	CK_10M	
					0x1B	CK_MPU	0x1C	Reserved	
0x1D	Reserved	0x1E	CE_BUSY						
0x1F	XFER_BUSY								
<i>VERSION[7:0]</i>	2006	--	--	R	The version index. This word may be read by firmware to determine the silicon version.				
					<table border="1" style="width: 100%; border-collapse: collapse;"> <tr> <th style="background-color: yellow;"><b>VERSION[7:0]</b></th> <th style="background-color: yellow;"><b>Silicon Version</b></th> </tr> <tr> <td>0000 0110</td> <td>A06</td> </tr> </table>	<b>VERSION[7:0]</b>	<b>Silicon Version</b>	0000 0110	A06
<b>VERSION[7:0]</b>	<b>Silicon Version</b>								
0000 0110	A06								
<i>VREF_CAL</i>	2004[7]	0	0	R/W	Brings VREF to VREF pad. This feature is disabled when <i>VREF_DIS</i> =1.				
<i>VREF_DIS</i>	2004[3]	0	1	R/W	Disables the internal voltage reference.				
<i>WAKE_ARM</i>	20A9[7]	0	--	W	Arm the autowake timer. Writing a 1 to this bit arms the autowake timer and presets it with the values presently in <i>WAKE_PRD</i> and <i>WAKE_RES</i> . The autowake timer is reset and disarmed whenever the processor is in MISSION mode or BROWNOUT mode. The timer must be armed at least three crystal clock cycles before the SLEEP or LCD-ONLY mode is commanded.				
<i>WAKE_PRD</i>	20A9[2:0]	001	--	R/W	Sleep time. Time= <i>WAKE_PRD[2:0]</i> * <i>WAKE_RES</i> . Default=001. Maximum value is 7.				
<i>WAKE_RES</i>	20A9[3]	0	--	R/W	Resolution of WAKE timer: 1 – 1 minute, 0 – 2.5 seconds.				
<i>WD_RST</i>	SFRE8[7]	0	0	W	WD timer bit. Possible operations to this bit are: Read: Gets the status of the flag IE_PLLFALL Write 0: Clears the flag Write 1: Resets the WDT				
<i>WD_OVF</i>	2002[2]	0	0	R/W	The WD overflow status bit. This bit is set when the WD timer overflows. It is powered by the nonvolatile supply and at bootup will indicate if the part is recovering from a WD overflow or a power fault. This bit should be cleared by the MPU on bootup. It is also automatically cleared when RESET is high.				

## CE Interface Description

### CE Program

The CE program is supplied by TERIDIAN as a data image that can be merged with the MPU operational code for meter applications. Typically, the CE program covers most applications and does not need to be modified. The description in this section applies to CE code revision CE6521BE\_A04.

### Formats

All CE words are 4 bytes. Unless specified otherwise, they are in 32-bit two's complement (-1 = 0xFFFFFFFF). 'Calibration' parameters are defined in flash memory (or external EEPROM) and must be copied to CE data memory by the MPU before enabling the CE. 'Internal' variables are used in internal CE calculations. 'Input' variables allow the MPU to control the behavior of the CE code. 'Output' variables are outputs of the CE calculations.

### Constants

Constants used in the CE Data Memory tables are:

- $F_s = 32768\text{Hz}/13 = 2520.62\text{Hz}$ .
- $F_0$  is the fundamental frequency.
- $IMAX$  is the external rms current corresponding to 250mV pk at the inputs IA and IB.
- $VMAX$  is the external rms voltage corresponding to 250mV pk at the VA and VB inputs.
- $NACC$ , the accumulation count for energy measurements is  $PRE\_SAMPS * SUM\_CYCLES$ .
- Accumulation count time for energy measurements is  $PRE\_SAMPS * SUM\_CYCLES / F_s$ .

The system constants  $IMAX$  and  $VMAX$  are used to convert internal quantities (as used by the CE) to external, i.e. metering quantities. Their values are determined by the off-chip scaling of the voltage and current sensors used in an actual meter. The LSB values used in this document relate digital quantities at the CE interface to external meter input quantities. For example, if a SAG threshold of 80V peak is desired at the meter input, the digital value that should be programmed into  $SAG\_THR$  would be  $80V/SAG\_THR_{LSB}$ , where  $SAG\_THR_{LSB}$  is the LSB value in the description of  $SAG\_THR$ .

The parameters  $EQU$ ,  $CE\_E$ ,  $PRE\_SAMPS$ , and  $SUM\_CYCLES$  essential to the function of the CE are stored in I/O RAM (see I/O RAM section).

### Environment

Before starting the CE using the  $CE\_E$  bit, the MPU has to establish the proper environment for the CE by implementing the following steps:

- Load the CE data into CE DRAM.
- Establish the equation to be applied in  $EQU$ .
- Establish the accumulation period and number of samples in  $PRE\_SAMPS$  and  $SUM\_CYCLES$ .
- Establish the number of cycles per ADC mux frame.
- Set  $PLS\_INTERVAL[7:0]$  to 81.
- Set  $FIR\_LEN$  to 1 and  $MUX\_DIV$  to 1.

There must be thirteen 32768Hz cycles per ADC mux frame (see System Timing Diagram, Figure 16). This means that the product of the number of cycles per frame and the number of conversions per frame must be 12 (allowing for one settling cycle). The required configuration is  $FIR\_LEN = 1$  (three cycles per conversion) and  $MUX\_DIV = 1$  (4 conversions per mux frame).

During operation, the MPU is in charge of controlling the multiplexer cycles, for example by inserting an alternate multiplexer sequence at regular intervals using  $MUX\_ALT$ . This enables temperature measurement. The polarity of chopping circuitry must be altered for each sample. It must also alternate for each alternate multiplexer reading. This is accomplished by maintaining  $CHOP\_E = 00$ .

### CE Calculations

The CE performs the precision computations necessary to accurately measure energy. These computations include offset cancellation, products, product smoothing, product summation, frequency detection, and sag detection. All data computed by the CE is dependent on the selected meter equation as given by *EQU* (in I/O RAM). However, for the 6521BE CE code, *EQU* is always 0.

<i>EQU</i>	Watt Formula (WSUM)	Element Input Mapping			
		<i>WOSUM</i>	<i>WISUM</i>	<i>IOSQSUM</i>	<i>IISQSUM</i>
0	VA IA (1 element, 2W 1 $\phi$ ) with tamper detection	VA*IA	VA*IB	IA	IB

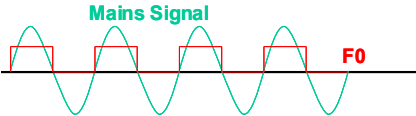
### CESTATUS

Since the CE\_BUSY interrupt occurs at 2520.6Hz, it is desirable to minimize the computation required in the interrupt handler of the MPU. The MPU can read the CE status word at every CE\_BUSY interrupt.

CE Address	Name	Description
0x11E8	<i>CESTATUS</i>	See description of CE status word below

The CE Status Word is used for generating early warnings to the MPU. It contains sag warnings for VA as well as the *F0* bit, a clock derived from the fundamental input frequency. *CESTATUS* provides information about the status of voltage and input AC signal frequency, which are useful for generating early power fail warnings, e.g. to initiate necessary data storage. *CESTATUS* represents the status flags for the preceding CE code pass (CE busy interrupt). Sag alarms are not remembered from one code pass to the next. The CE Status word is refreshed at every CE\_BUSY interrupt.

The significance of the bits in *CESTATUS* is shown in the table below:

<i>CESTATUS</i> [bit]	Name	Description
31-29	Not Used	These unused bits will always be zero.
28	<i>F0</i>	<p><i>F0</i> is a square wave at the exact fundamental input frequency.</p> 
27	<i>CREEP</i>	Normally zero. Becomes one when creep logic has been applied to either WA or WB.
26	<i>SAG_B</i>	Normally zero. These bits come one when the voltage in the respective channel remains below <i>SAG_THR</i> for <i>SAG_CNT</i> samples. Will not return to zero until the voltage rises above <i>SAG_THR</i> .
25	<i>SAG_A</i>	
24-0	Not Used	These unused bits will always be zero.



The CE is initialized by the MPU using *CECONFIG* (*CESTATE*). This register contains in packed form the control bits for *SAG\_CNT*, *FREQSEL*, *NEUTRAL\_TAMPER*, *IB\_SHUNT*, *IA\_SHUNT*, *PULSE\_SLOW*, and *PULSE\_FAST*.

CE Address	Name	Default	Description
0x1040	<i>CECONFIG</i>	0x5000	See description of <i>CECONFIG</i> below

The significance of the bits in *CECONFIG* is shown in the table below:

*IA\_SHUNT* and/or *IB\_SHUNT* can configure their respective current inputs to accept shunt resistor sensors. In this case the CE provides an additional gain of 8 to the selected current input. *WRATE* may need to be adjusted based on the values of *IA\_SHUNT* and *IB\_SHUNT*. Whenever *IA\_SHUNT* or *IB\_SHUNT* are set to 1, *In\_8* (in the equation for *Kh*) is assigned a value of 8.

The CE pulse generator is controlled only by the CE (internal) variables.

Note: The 6521BE Demo Code creep function halts both internal and external pulse generation.

<i>CECONFIG</i> [bit]	Name	Default	Description															
[15:8]	<i>SAG_CNT</i>	80 (0x50)	Number of consecutive voltage samples below <i>SAG_THR</i> before a sag alarm is declared. The maximum value is 255. <i>SAG_THR</i> is at address 0x14.															
[7]	--	0	Reserved															
[6]	<i>FREQSEL</i>	0	Selected phase for frequency monitor (0 = A, 1 = B).															
[5]	<i>NEUTRAL_TAMPER</i>	0	Alert CE that neutral line tampering has been detected.															
[4]	<i>MAGNETIC_TAMPER</i>	0	Alert CE that magnetic tampering has been detected.															
[3]	<i>IB_SHUNT</i>	0	When 1, the current gain of channel B is increased by 8. The gain factor controlled by <i>In_SHUNT</i> is referred to as <i>In_8</i> throughout this document.															
[2]	<i>IA_SHUNT</i>	0	When 1, the current gain of channel A is increased by 8.															
[1]	<i>PULSE_FAST</i>	0	When <i>PULSE_SLOW</i> = 1, the pulse generator input is reduced by a factor of 64. When <i>PULSE_FAST</i> = 1, the pulse generator input is increased 16x. These two parameters control the pulse gain factor X (see table below). Allowed values are either 1 or 0. Default is 0 (X = 6).															
[0]	<i>PULSE_SLOW</i>	0	<table border="1" style="width: 100%; border-collapse: collapse;"> <thead> <tr> <th>X</th> <th><i>PULSE_SLOW</i></th> <th><i>PULSE_FAST</i></th> </tr> </thead> <tbody> <tr> <td><math>1.5 * 2^2 = 6</math></td> <td>0</td> <td>0</td> </tr> <tr> <td><math>1.5 * 2^6 = 96</math></td> <td>0</td> <td>1</td> </tr> <tr> <td><math>1.5 * 2^{-4} = 0.09375</math></td> <td>1</td> <td>0</td> </tr> <tr> <td>1.5</td> <td>1</td> <td>1</td> </tr> </tbody> </table>	X	<i>PULSE_SLOW</i>	<i>PULSE_FAST</i>	$1.5 * 2^2 = 6$	0	0	$1.5 * 2^6 = 96$	0	1	$1.5 * 2^{-4} = 0.09375$	1	0	1.5	1	1
X	<i>PULSE_SLOW</i>	<i>PULSE_FAST</i>																
$1.5 * 2^2 = 6$	0	0																
$1.5 * 2^6 = 96$	0	1																
$1.5 * 2^{-4} = 0.09375$	1	0																
1.5	1	1																

### CE TRANSFER VARIABLES

When the MPU receives the XFER\_BUSY interrupt, it knows that fresh data is available in the transfer variables.

#### Fundamental Energy Measurement Variables

The table below describes each transfer variable for fundamental energy measurement. All variables are signed 32 bit integers. Accumulated variables such as *WSUM* are internally scaled so they have at least 2x margin before overflow when the integration time is 1 second. Additionally, the hardware will not permit output values to 'fold back' upon overflow.

CE Address	Name	Description
0x11D8	<i>WOSUM_X</i>	The sum of Watt samples from each wattmeter element ( <i>In_8</i> is the gain configured by <i>IA_SHUNT</i> or <i>IB_SHUNT</i> ). LSB = $6.6952 \cdot 10^{-13} VMAX IMAX / In_8$ Wh.
0x11C8	<i>WISUM_X</i>	

*WxSUM\_X* is the Wh value accumulated for element 'X' in the last accumulation interval and can be computed based on the specified LSB value.

For example with *VMAX* = 600V and *IMAX* = 208A, LSB (for *WxSUM\_X*) is 0.08356 μWh.

#### Instantaneous Energy Measurement Variables

The Frequency measurement is computed using the Frequency locked loop for the selected phase.

*IxSQSUM\_X* and *VxSQSUM* are the squared current and voltage samples acquired during the last accumulation interval. *INSQSUM\_X* can be used for computing the neutral current.

CE Address	Name	Description
0x11E4	<i>FREQ_X</i>	Fundamental frequency. $LSB \equiv \frac{F_s}{2^{32}} \approx 0.587 \cdot 10^{-6} Hz$
0x11F0	<i>MAINEDGE_X</i>	The number of zero crossings of the selected voltage in the previous accumulation interval. Zero crossings are either direction and are de-bounced.
0x11DC	<i>IOSQSUM_X</i>	The sum of squared current samples from each element. LSB = $6.6952 \cdot 10^{-13} IMAX^2 / In_8^2 A^2h$
0x11CC	<i>IISQSUM_X</i>	
0x11E0	<i>VOSQSUM_X</i>	The sum of squared voltage samples from each element. LSB = $6.6952 \cdot 10^{-13} VMAX^2 V^2h$
0x11D0	<i>VISQSUM_X</i>	
0x11F4	<i>WSUM_ACCUM</i>	Rollover accumulator for WPULSE.
0x11D4	<i>IOSQRT_X</i>	RMS current determined by calculating the square root of <i>IOSQSUM_X</i> and <i>IISQSUM_X</i>
0x11C4	<i>IISQRT_X</i>	



### Other CE Parameters

#### Temperature Parameters

*MAINEDGE\_X* is useful for implementing a real-time clock based on the input AC signal. *MAINEDGE\_X* is the number of half-cycles accounted for in the last accumulated interval for the AC signal.

*TEMP\_RAW* may be used by the MPU to monitor chip temperature. Temperature compensation is implemented by the CE, based on the value written to *TEMP\_NOM*.

CE Address	Name	Default	Description
0x11EC	<i>TEMP_RAW_X</i>	N/A	Filtered, unscaled reading from the temperature sensor.
0x105C	<i>TEMP_NOM</i>	N/A	Reference temperature for temperature compensation.
0x1054	<i>DEGSCALE</i>	19065	Multiplier for temperature calculation.
0x1048	<i>GAIN_ADJ</i>	16384	Scales all voltage and current inputs, based on the temperature compensation mechanism. 16384 provides unity gain.
0x1080	<i>PPMC1</i>	N/A	Linear parameter for temperature compensation.
0x1084	<i>PPMC2</i>	N/A	Quadratic parameter for temperature compensation.

*GAIN\_ADJ* is a scaling factor for measurements based on the temperature. *GAIN\_ADJ* is controlled by the MPU for temperature compensation.

#### Sag, Creep and Tamper Control

CE Address	Name	Default	Description
0x1070	<i>CREEPO_THR</i>	8311	Wh threshold for channels A and B.
0x1074	<i>CREEPI_THR</i>	8311	$LSB = 6.6952 \cdot 10^{-13} \cdot I_{MAX} \cdot V_{MAX} \frac{N_{ACC}}{F_S}$ The default value is equivalent to 2.5W
0x1050	<i>SAG_THR</i>	443000	The threshold for sag warnings. The default value is equivalent to 80V RMS if <i>VMAX</i> = 600V. The LSB value is $1.80587 \cdot 10^{-4}$ V (RMS).
0x1078	<i>VNOMINAL</i>	$1.27 \cdot 10^8$	Nominal voltage to be applied to the larger of the two currents when neutral tampering is detected. The default value is equivalent to 230V RMS.
0x107C	<i>WNOMINAL</i>	7646227	Nominal power consumption to be applied when magnetic tampering is detected. $LSB = 6.6952 \cdot 10^{-13} \cdot I_{MAX} \cdot V_{MAX} \frac{N_{ACC}}{F_S}$ The default value is equivalent to 0.65Wh per accumulation interval, or 2300Wh/h (230V, 10A).

#### Pulse Generation

CE Address	Name	Default	Description
0x1044	<i>WRATE</i>	389	<p><math>K_h = V_{MAX} \cdot I_{MAX} \cdot 47.1132 / (In\_8 \cdot WRATE \cdot N_{ACC} \cdot X)</math> Wh/pulse. The default value results in a <math>K_h</math> of 1.0Wh/pulse when 2520 samples are taken in each accumulation interval (and <math>V_{MAX}=600</math>, <math>I_{MAX} = 208</math>, <math>In\_8 = 1</math>, <math>X = 6</math>).</p> <p>The maximum value for <i>WRATE</i> is <math>2^{15} - 1</math>.</p>

*WRATE* controls the number of pulses that are generated per measured Wh quantities. The lower *WRATE* is the slower the pulse rate for measured energy quantity. The metering constant  $K_h$  is derived from *WRATE* as the amount of energy measured for each pulse. That is, if  $K_h = 1$ Wh/pulse, a power applied to the meter of 120V and 30A results in one pulse per second. If the load is 240V at 150A, ten pulses per second will be generated.  $X$  is controlled by the *PULSE\_FAST* and *PULSE\_SLOW* bits in the *CECONFIG* register.

The maximum pulse rate is 7.5kHz. The maximum time jitter is 67μs and is independent of the number of pulses measured. Thus, if the pulse generator is monitored for 1 second, the peak jitter is 67ppm. After 10 seconds, the peak jitter is 6.7ppm.

The average jitter is always zero. If it is attempted to drive either pulse generator faster than its maximum rate, it will simply output at its maximum rate without exhibiting any rollover characteristics. The actual pulse rate, using *WSUM* as an example, is:

$$RATE = \frac{WRATE \cdot WSUM \cdot F_s \cdot X}{2^{46}} Hz,$$

where  $F_s$  = sampling frequency (2520.6Hz),  $X$  = Pulse speed factor

#### CE Calibration Parameters

The table below lists the parameters that are typically entered to effect calibration of meter accuracy.

CE Address	Name	Default	Description
0x1020	<i>CAL_IA</i>	16384	<p>These constants control the gain of their respective channels. The nominal value for each parameter is <math>2^{14} = 16384</math>. The gain of each channel is directly proportional to its CAL parameter. Thus, if the gain of a channel is 1% slow, CAL should be scaled by <math>1/(1 - 0.01)</math>.</p>
0x1024	<i>CAL_VA</i>	16384	
0x1028	<i>CAL_IB</i>	16384	
0x102C	<i>CAL_VB</i>	16384	
0x1030	<i>PHADJ_A</i>	0	<p>These two constants control the CT phase compensation. No compensation occurs when <math>PHADJ\_X = 0</math>. As <math>PHADJ\_X</math> is increased, more compensation (lag) is introduced. Range: <math>\pm 2^{15} - 1</math>. If it is desired to delay the current by the angle <math>\Phi</math>:</p>
0x1034	<i>PHADJ_B</i>	0	<p><math>PHADJ\_X = 2^{20} \frac{0.02229 \cdot TAN\Phi}{0.1487 - 0.0131 \cdot TAN\Phi}</math> at 60Hz</p> <p><math>PHADJ\_X = 2^{20} \frac{0.0155 \cdot TAN\Phi}{0.1241 - 0.009695 \cdot TAN\Phi}</math> at 50Hz</p>

#### Other CE Parameters

The table below shows CE parameters used for suppression of noise due to scaling and truncation effects.

CE Address	Name	Default	Description
0x104C	<i>QUANTA</i>	0	This parameter is added to the Watt calculation for element 0 to compensate for input noise and truncation. LSB = $(V_{MAX} * I_{MAX} / I_{n\_8}) * 7.4162 * 10^{-10}$ W
0x1060	<i>QUANTB</i>	0	This parameter is added to the Watt calculation for element 1 to compensate for input noise and truncation. LSB = $(V_{MAX} * I_{MAX} / I_{n\_8}) * 7.4162 * 10^{-10}$ W
0x1058	<i>QUANT_IA</i>	0	This parameter is added to compensate for input noise and truncation in the squaring calculations for $I^2$ . <i>QUANT_IA</i> affects only <i>I0SQSUM</i> and <i>I1SQSUM</i> . LSB = $(I_{MAX}^2 / I_{n\_8}^2) * 7.4162 * 10^{-10}$ A <sup>2</sup>
0x106C	<i>QUANT_IB</i>	0	This parameter is added to compensate for input noise and truncation in the squaring calculations for $I^2$ . <i>QUANT_IB</i> affects only <i>I0SQSUM</i> and <i>I1SQSUM</i> . LSB = $(I_{MAX}^2 / I_{n\_8}^2) * 7.4162 * 10^{-10}$ A <sup>2</sup>

## ELECTRICAL SPECIFICATIONS

### ABSOLUTE MAXIMUM RATINGS

<b>Supplies and Ground Pins:</b>	
V3P3SYS, V3P3A	-0.5V to 4.6V
VBAT	-0.5V to 4.6V
GNDD	-0.5V to +0.5V
<b>Analog Output Pins:</b>	
V3P3D	-10mA to 10mA, -0.5V to 4.6V
VREF	-10mA to +10mA, -0.5V to V3P3A+0.5V
V2P5	-10mA to +10mA, -0.5V to 3.0V
<b>Analog Input Pins:</b>	
IA, VA, IB, VB, V1	-10mA to +10mA -0.5V to V3P3A+0.5V
XIN, XOUT	-10mA to +10mA -0.5V to 3.0V
<b>All Other Pins:</b>	
Configured as SEG or COM drivers	-1mA to +1mA, -0.5 to V3P3D+0.5
Configured as Digital Inputs	-10mA to +10mA, -0.5 to 6V
Configured as Digital Outputs	-15mA to +15mA, -0.5V to V3P3D+0.5V
All other pins	-0.5V to V3P3D+0.5V
<b>Operating junction temperature (peak, 100ms)</b>	
	140 °C
<b>Operating junction temperature (continuous)</b>	
	125 °C
<b>Storage temperature</b>	
	-45 °C to +165 °C
<b>Solder temperature – 10 second duration</b>	
	250 °C
<b>ESD stress on all pins</b>	
	4kV

Stresses beyond Absolute Maximum Ratings may cause permanent damage to the device. These are stress ratings only and functional operation at these or any other conditions beyond those indicated under "recommended operating conditions" is not implied. Exposure to absolute-maximum-rated conditions for extended periods may affect device reliability. All voltages are with respect to GNDA.

### RECOMMENDED EXTERNAL COMPONENTS

NAME	FROM	TO	FUNCTION	VALUE	UNIT
C1	V3P3A	AGND	Bypass capacitor for 3.3V supply	$\geq 0.1 \pm 20\%$	$\mu\text{F}$
C2	V3P3D	DGND	Bypass capacitor for 3.3V output	$0.1 \pm 20\%$	$\mu\text{F}$
CSYS	V3P3SYS	DGND	Bypass capacitor for V3P3SYS	$\geq 1.0 \pm 30\%$	$\mu\text{F}$
C2P5	V2P5	DGND	Bypass capacitor for V2P5	$0.1 \pm 20\%$	$\mu\text{F}$
XTAL	XIN	XOUT	32.768kHz crystal – electrically similar to ECS .327-12.5-17X or Vishay XT26T, load capacitance 12.5pF	32.768	kHz
CXS †	XIN	AGND	Load capacitor for crystal (depends on crystal specs and board parasitics).	$27 \pm 10\%$	pF
CXL †	XOUT	AGND	Load capacitor for crystal (depends on crystal specs and board parasitics).	$27 \pm 10\%$	pF

† Depending on trace capacitance, higher or lower values for CXS and CXL must be used. Capacitance from XIN to GNDD and XOUT to GNDD (combining pin, trace and crystal capacitance) should be 30pF to 42pF.

### RECOMMENDED OPERATING CONDITIONS

PARAMETER	CONDITION	MIN	TYP	MAX	UNIT
3.3V Supply Voltage (V3P3SYS, V3P3A) V3P3A and V3P3SYS must be at the same voltage	Normal Operation	3.0	3.3	3.6	V
	Battery Backup	0		3.6	V
VBAT	No Battery	Externally Connect to V3P3SYS			
	Battery Backup BRN and LCD modes	3.0		3.8	V
	SLEEP mode	2.0		3.8	V
Operating Temperature		-40		+85	°C
Maximum input voltage on DIO/SEG pins configured as DIO input. *	MISSION mode			V3P3SYS+0.3	V
	BROWNOUT mode			VBAT+0.3	V
	LCD mode			VBAT+0.3	V

\*Exceeding this limit will distort the LCD waveforms on other pins.

### PERFORMANCE SPECIFICATIONS

#### INPUT LOGIC LEVELS

PARAMETER	CONDITION	MIN	TYP	MAX	UNIT
Digital high-level input voltage <sup>T</sup> , V <sub>IH</sub>		2			V
Digital low-level input voltage <sup>T</sup> , V <sub>IL</sub>				0.8	V
Exceptions to above input standard:					
Input pull-up current, I <sub>IU</sub> E_RXTX, E_RST, CKTEST Other digital inputs	VIN=0V, ICE_E=1	10 10 -1	0	100 100 1	μA μA μA
Input pull down current, I <sub>ID</sub> ICE_E PB Other digital inputs	VIN=V3P3D	10 -1 -1	0 0	100 1 1	μA μA μA

<sup>T</sup>In battery powered modes, digital inputs should be below 0.3V or above 2.5V to minimize battery current.

#### OUTPUT LOGIC LEVELS

PARAMETER	CONDITION	MIN	TYP	MAX	UNIT
Digital high-level output voltage V <sub>OH</sub>	I <sub>LOAD</sub> = 1mA	V3P3D -0.4			V
	I <sub>LOAD</sub> = 15mA	V3P3D- 0.6			V
Digital low-level output voltage V <sub>OL</sub>	I <sub>LOAD</sub> = 1mA	0		0.4	V
	I <sub>LOAD</sub> = 15mA			0.8	V
OPT_TX V <sub>OH</sub> (V3P3D-OPT_TX)	I <sub>SOURCE</sub> =1mA			0.4	V
OPT_TX V <sub>OL</sub>	I <sub>SINK</sub> =20mA			0.7	V

#### POWER-FAULT COMPARATOR

PARAMETER	CONDITION	MIN	TYP	MAX	UNIT
Offset Voltage <b>V1-VBIAS</b>		-20		+15	mV
Hysteresis Current <b>V1</b>	Vin = VBIAS - 100mV	0.8		1.2	μA
Response Time <b>V1</b>	±100mV overdrive	2	5	10	μs
WDT Disable Threshold ( <b>V1-V3P3A</b> )		-400		-10	mV

#### BATTERY MONITOR

BME=1

PARAMETER	CONDITION	MIN	TYP	MAX	UNIT
Load Resistor		27	45	63	kΩ
LSB Value - <b>does not include the 9-bit left shift at CE input.</b>	FIR_LEN=0	-6.0	-5.4	-4.9	μV
	FIR_LEN=1	-2.6	-2.3	-2.0	μV
Offset Error		-200	-72	+100	mV

### SUPPLY CURRENT

PARAMETER	CONDITION	MIN	TYP	MAX	UNIT
V3P3A + V3P3SYS current	Normal Operation, V3P3A=V3P3SYS=3.3V		6.1	7.7	mA
VBAT current	MPU_DIV = 3 (614kHz), CKOUT_E = 0, CE_EN = 1, RTM_E = 0, ECK_DIS = 1, ADC_E = 1, ICE_E = 0	-300		+300	nA
V3P3A + V3P3SYS current vs. MPU clock frequency	Same conditions as above		0.5		mA/ MHz
V3P3A + V3P3SYS current, Write Flash	Normal Operation as above, except write Flash at maximum rate, CE_E=0, ADC_E=0		9.1	10	mA
VBAT current	VBAT=3.6V				
	BROWNOUT mode, <25°C		48	120	μA
	BROWNOUT mode, >25°C		65	150	μA
	LCD Mode, 25°C		5.7	8.5	μA
	LCD mode, over temperature			15	μA
	SLEEP Mode, 25°C		2.9	5.0	μA
	Sleep mode, over temperature			10	μA

\*Current into V3P3A and V3P3SYS pins is not zero if voltage is applied at these pins in brownout, LCD or sleep modes.

### V3P3D SWITCH

PARAMETER	CONDITION	MIN	TYP	MAX	UNIT
On resistance – V3P3SYS to V3P3D	$ I_{V3P3D}  \leq 1\text{mA}$			10	Ω
On resistance – VBAT to V3P3D	$ I_{V3P3D}  \leq 1\text{mA}$			40	Ω

### 2.5V VOLTAGE REGULATOR

Unless otherwise specified, load = 5mA

PARAMETER	CONDITION	MIN	TYP	MAX	UNIT
Voltage overhead V3P3-V2P5	Reduce V3P3 until V2P5 drops 200mV			440	mV
PSSR ΔV2P5/ΔV3P3	RESET=0, iload=0	-3		+3	mV/V

#### LOW POWER VOLTAGE REGULATOR

Unless otherwise specified,  $V3P3SYS=V3P3A=0$ ,  $PB=GND$  (BROWNOUT)

PARAMETER	CONDITION	MIN	TYP	MAX	UNIT
V2P5	I <sub>LOAD</sub> =0	2.0	2.5	2.7	V
V2P5 load regulation	I <sub>LOAD</sub> =0mA to 1mA			30	mV
VBAT voltage requirement	I <sub>LOAD</sub> =1mA, Reduce VBAT until REG_LP_OK=0			3.0	V
PSRR $\Delta V2P5/\Delta VBAT$	I <sub>LOAD</sub> =0	-50		50	mV/V

#### CRYSTAL OSCILLATOR

PARAMETER	CONDITION	MIN	TYP	MAX	UNIT
Maximum Output Power to Crystal	Crystal connected			1	$\mu$ W
XIN to XOUT Capacitance				3	pF
Capacitance to DGND				5	pF
XIN				5	pF
XOUT				5	pF

#### VREF, VBIAS

Unless otherwise specified,  $VREF\_DIS=0$

PARAMETER	CONDITION	MIN	TYP	MAX	UNIT
VREF output voltage, VNOM(25)	Ta = 22°C	1.193	1.195	1.197	V
VREF chop step				50	mV
VREF output impedance	$VREF\_CAL = 1$ , I <sub>LOAD</sub> = 10 $\mu$ A, -10 $\mu$ A			2.5	k $\Omega$
VNOM definition <sup>A</sup>	$VNOM(T) = VREF(22) + (T - 22)TC1 + (T - 22)^2 TC2$				V
VREF temperature coefficients					
TC1			+7.0		$\mu$ V/°C
TC2			-0.341		$\mu$ V/°C <sup>2</sup>
VREF aging			$\pm 25$		ppm/year
VREF(T) deviation from VNOM(T)					
$\frac{VREF(T) - VNOM(T)}{VNOM} \cdot 10^6$	Ta = -40°C to +85°C	-40		+40	ppm/°C
VBIAS voltage	Ta = 25°C Ta = -40°C to 85°C	(-1%) (-4%)	1.6 1.6	(+1%) (+4%)	V V

<sup>A</sup> This relationship describes the nominal behavior of VREF at different temperatures.



### LCD DRIVERS

Applies to all COM and SEG pins.

PARAMETER	CONDITION	MIN	TYP	MAX	UNIT
VLC2 Max Voltage	With respect to VLCD	-0.1		0+.1	V
VLC1 Voltage, 1/3 bias 1/2 bias	With respect to 2*VLC2/3 With respect to VLC2/2	-4 -3		0 +2	% %
VLC0 Voltage, 1/3 bias 1/2 bias	With respect to VLC2/3 With respect to VLC2/2	-3 -3		+2 +2	% %

VLCD is V3P3SYS in MISSION mode and VBAT in BROWNOUT and LCD modes.

### ADC CONVERTER, V3P3A REFERENCED

*FIR\_LEN=0, VREF\_DIS=0, LSB values do not include the 9-bit left shift at CE input.*

PARAMETER	CONDITION	MIN	TYP	MAX	UNIT
Recommended Input Range (Vin-V3P3A)		-250		250	mV peak
Voltage to Current Crosstalk:  $\frac{10^6 * V_{crosstalk}}{V_{in}} \cos(\angle V_{in} - \angle V_{crosstalk})$	<i>Vin</i> = 200mV peak, 65Hz, on VA  <i>Vcrosstalk</i> = largest measurement on IA or IB	-10		10	$\mu$ V/V
THD (First 10 harmonics) 250mV-pk 20mV-pk	<i>Vin</i> =65Hz, 64kpts FFT, Blackman- Harris window			-75 -90	dB dB
Input Impedance	<i>Vin</i> =65Hz	40		90	k $\Omega$
Temperature coefficient of Input Impedance	<i>Vin</i> =65Hz		1.7		$\Omega$ / $^{\circ}$ C
LSB size	<i>FIR_LEN</i> =0 <i>FIR_LEN</i> =1		357 151		nV/LSB
Digital Full Scale	<i>FIR_LEN</i> =0 <i>FIR_LEN</i> =1		+884736 $\pm$ 2097152		LSB
ADC Gain Error vs %Power Supply Variation  $\frac{10^6 \Delta N_{out_{PK}} 357nV / V_{IN}}{100 \Delta V_{3P3A} / 3.3}$	<i>Vin</i> =200mV pk, 65Hz V3P3A=3.0V, 3.6V			50	ppm/%
Input Offset (Vin-V3P3A)		-10		10	mV

### OPTICAL INTERFACE

PARAMETER	CONDITION	MIN	TYP	MAX	UNIT
OPT_TX VOH (V3P3D-OPT_TX)	ISOURCE=1mA			0.4	V
OPT_TX VOL	ISINK=20mA			0.7	V

#### TEMPERATURE SENSOR

LSB values do not include the 9-bit left shift at CE input.

PARAMETER	CONDITION	MIN	TYP	MAX	UNIT
Nominal Sensitivity ( $S_n$ ) <sup>4</sup> $FIR\_LEN=1$	$T_n=25^\circ\text{C}$ Nominal relationship: $N(T) = S_n \cdot (T - T_n) + N_n$		-2180		LSB/°C
Nominal Sensitivity ( $S_n$ ) <sup>4</sup> $FIR\_LEN=0$			-923		LSB/°C
Nominal ( $N_n$ ) <sup>4</sup> , $FIR\_LEN=1$			1.0		$10^6$ LSB
Nominal ( $N_n$ ) <sup>4</sup> , $FIR\_LEN=0$			0.4		$10^6$ LSB
Temperature Error <sup>††</sup> $ERR = T - \left( \frac{(N(T) - N_n)}{S_n} + T_n \right)$	$T = -40^\circ\text{C to } +85^\circ\text{C}$ , $T_n = 25^\circ\text{C}$	-10		+10	°C

<sup>††</sup>  $N_n$  is measured at  $T_n$  during meter calibration and is stored in MPU or CE for use in temperature calculations.

**TIMING SPECIFICATIONS**

**RAM AND FLASH MEMORY**

PARAMETER	CONDITION	MIN	TYP	MAX	UNIT
CE DRAM wait states	CKMPU = 4.9MHz	5			Cycles
	CKMPU = 1.25MHz	2			Cycles
	CKMPU = 614kHz	1			Cycles
Flash Read Pulse Width	V3P3A=V3P3SYS=0 BROWNOUT MODE	30		100	ns
Flash write cycles	-40°C to +85°C	20,000			Cycles
Flash data retention	25°C	100			Years
Flash data retention	85°C	10			Years
Flash byte writes between page or mass erase operations				2	Cycles

**FLASH MEMORY TIMING**

PARAMETER	CONDITION	MIN	TYP	MAX	UNIT
Write Time per Byte				42	µs
Page Erase (512 bytes)				20	ms
Mass Erase				200	ms

**EEPROM INTERFACE**

PARAMETER	CONDITION	MIN	TYP	MAX	UNIT
Write Clock frequency (I <sup>2</sup> C)	CKMPU=4.9MHz, Using interrupts		78		kHz
	CKMPU=4.9MHz, "bit-banging" DIO4/5		150		kHz
Write Clock frequency (3-wire)	CKMPU=4.9MHz		500		kHz

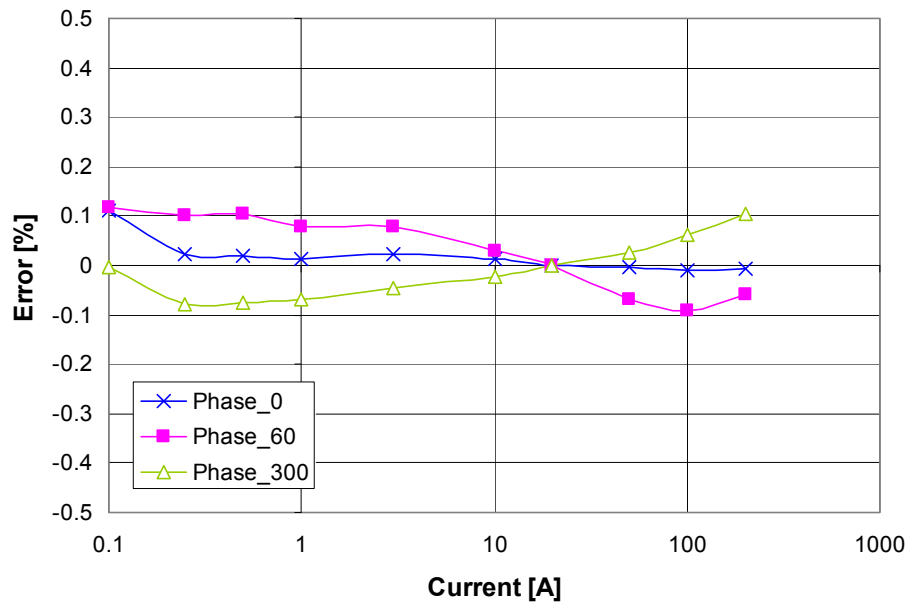
**RESET**

PARAMETER	CONDITION	MIN	TYP	MAX	UNIT
Reset pulse width		5			µs
Reset pulse fall time				1	µs

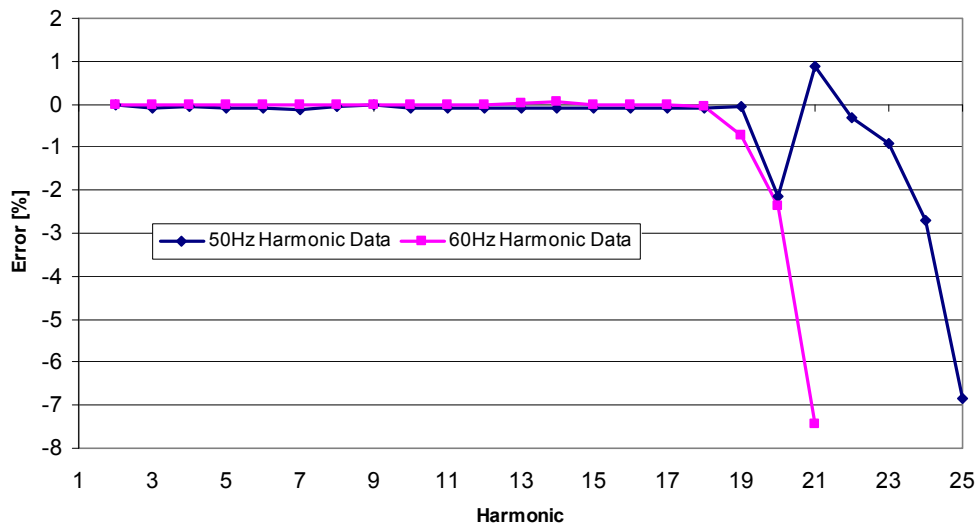
**FOOTNOTES**

- <sup>1</sup>This spec is guaranteed, has been verified in production samples, but is not measured in production.
- <sup>2</sup>This spec is guaranteed, has been verified in production samples, but is measured in production only at DC.
- <sup>3</sup>This spec is measured in production at the limits of the specified operating temperature.
- <sup>4</sup>This spec defines a nominal relationship rather than a measured parameter. Correct circuit operation is verified with other specs that use this nominal relationship as a reference.

## TYPICAL PERFORMANCE DATA



**Figure 38: Wh Accuracy, 0.1A to 200A at 240V/50Hz and Room Temperature**



Measured at current distortion amplitude of 40% and voltage distortion amplitude of 10%.

**Figure 39: Meter Accuracy over Harmonics at 240V, 30A**

Relative Accuracy over Temperature

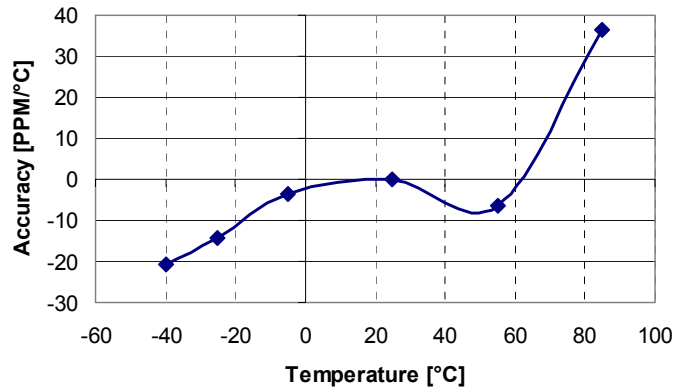
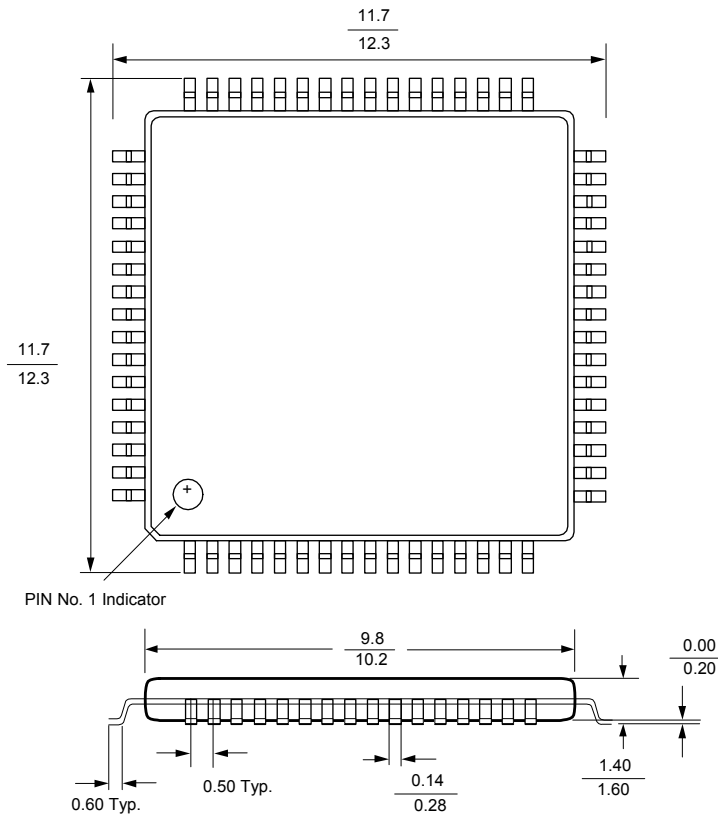


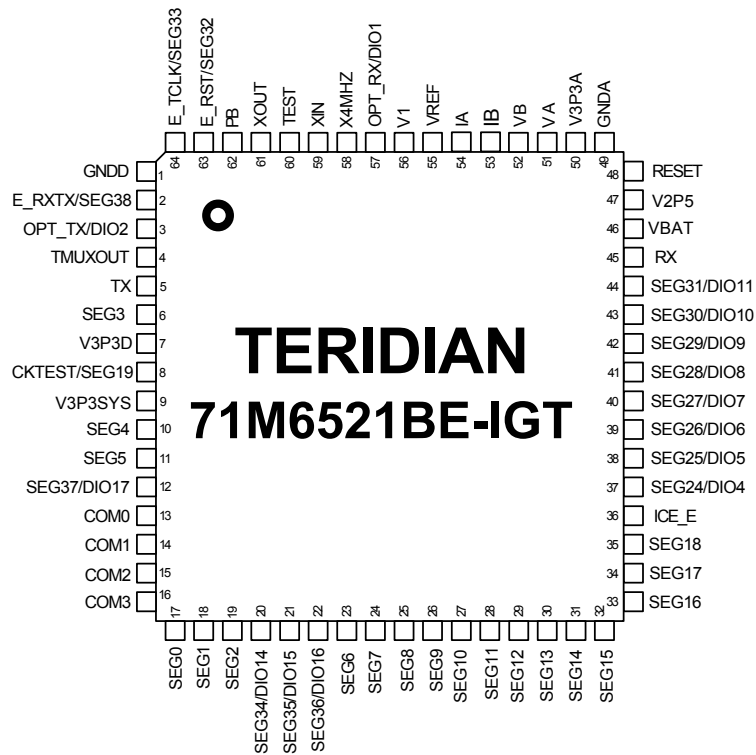
Figure 40: Typical Meter Accuracy over Temperature Relative to 25°C

### PACKAGE OUTLINE (LQFP 64)



Controlling dimensions are in mm

### PINOUT (LQFP-64)



## PIN DESCRIPTIONS

### Power/Ground Pins:

Name	Type	Circuit	Description
GNDA	P	--	Analog ground: This pin should be connected directly to the ground plane.
GNDD	P	--	Digital ground: This pin should be connected directly to the ground plane.
V3P3A	P	--	Analog power supply: A 3.3V power supply should be connected to this pin, must be the same voltage as V3P3SYS.
V3P3SYS	P	--	System 3.3V supply. This pin should be connected to a 3.3V power supply.
V3P3D	O	13	Auxiliary voltage output of the chip, controlled by the internal 3.3V selection switch. In mission mode, this pin is internally connected to V3P3SYS. In BROWNOUT mode, it is internally connected to VBAT. This pin is floating in LCD and sleep mode.
VBAT	P	12	Battery backup power supply. A battery or super-capacitor is to be connected between VBAT and GNDD. If no battery is used, connect VBAT to V3P3SYS.
V2P5	O	10	Output of the internal 2.5V regulator. A 0.1 $\mu$ F capacitor to GNDA should be connected to this pin.

### Analog Pins:

Name	Type	Circuit	Description
IA, IB	I	6	Line Current Sense Inputs: These pins are voltage inputs to the internal A/D converter. Typically, they are connected to the outputs of current sensors. <b>Unused pins must be connected to V3P3A.</b>
VA, VB	I	6	Line Voltage Sense Inputs: These pins are voltage inputs to the internal A/D converter. Typically, they are connected to the outputs of resistor dividers. <b>Unused pins must be connected to V3P3A or tied to the voltage sense input that is in use.</b>
V1	I	7	Comparator Input: This pin is a voltage input to the internal comparator. The voltage applied to the pin is compared to an internal BIAS voltage (1.6V). If the input voltage is above the reference, the comparator output will be high (1). If the comparator output is low, a voltage fault will occur. A 0.1 $\mu$ F capacitor to GNDA should be connected to this pin.
VREF	O	9	Voltage Reference for the ADC. This pin is normally disabled by setting the <i>VREF_CAL</i> bit in the I/O RAM and can be left unconnected. If enabled, a 0.1 $\mu$ F capacitor to GNDA should be connected.
XIN XOUT	I	8	Crystal Inputs: A 32kHz crystal should be connected across these pins. Typically, a 27pF capacitor is also connected from each pin to GNDA. It is important to minimize the capacitance between these pins. See the crystal manufacturer datasheet for details.



Pin types: P = Power, O = Output, I = Input, I/O = Input/Output  
The circuit number denotes the equivalent circuit, as specified under "I/O Equivalent Circuits".

#### Digital Pins:

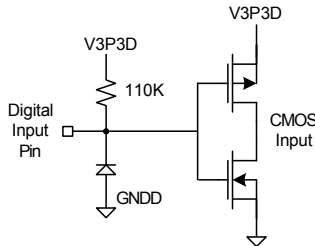
Name	Type	Circuit	Description
COM3, COM2, COM1, COM0	O	5	LCD Common Outputs: These 4 pins provide the select signals for the LCD display.
SEG0...SEG18	O	5	Dedicated LCD Segment Output.
SEG24/DIO4... SEG31/DIO11	I/O	3, 4, 5	Multi-use pins, configurable as either LCD SEG driver or DIO. (DIO4 = SCK, DIO5 = SDA when configured as EEPROM interface, WPULSE = DIO6 when configured as pulse outputs). <b>If unused, these pins must be configured as outputs.</b>
SEG34/DIO14... SEG37/DIO17	I/O	3, 4, 5	Multi-use pins, configurable as either LCD SEG driver or DIO. <b>If unused, these pins must be configured as outputs.</b>
E_RXTX/SEG38	I/O	1, 4, 5	Multi-use pins, configurable as either emulator port pins (when ICE_E pulled high) or LCD SEG drivers (when ICE_E tied to GND).
E_RST/SEG32	I/O	1, 4, 5	
E_TCLK/SEG33	O	4, 5	
ICE_E	I	2	ICE enable. When zero, E_RST, E_TCLK, and E_RXTX become SEG32, SEG33, and SEG38 respectively. For production units, this pin should be pulled to GND to disable the emulator port. This pin should be brought out to the programming interface in order to create a way for reprogramming parts that have the <i>SECURE</i> bit set.
CKTEST/SEG19	O	4, 5	Multi-use pin, configurable as either Clock PLL output or LCD segment driver. Can be enabled and disabled by <i>CKOUT_EN</i> .
TMUXOUT	O	4	Digital output test multiplexer. Controlled by <i>TMUX[4:0]</i> .
OPT_RX/DIO1	I/O	3, 4, 7	Multi-use pin, configurable as either Optical Receive Input or general DIO. When configured as OPT_RX, this pin receives a signal from an external photo-detector used in an IR serial interface. <b>If unused, this pin must be configured as an output or terminated to V3P3D or GNDD.</b>
OPT_TX/DIO2	I/O	3, 4	Multi-use pin, configurable as either Optical LED Transmit Output, WPULSE, RPULSE, or general DIO. When configured as OPT_TX, this pin is capable of directly driving an LED for transmitting data in an IR serial interface. <b>If unused, this pin must be configured as an output or terminated to V3P3D or GNDD.</b>
RESET	I	3	This input pin resets the chip into a known state. For normal operation, this pin is connected to GNDD. To reset the chip, this pin should be pulled high. No external reset circuitry is necessary.
RX	I	3	UART input. <b>If unused, this pin must be terminated to V3P3D or GNDD.</b>
TX	O	4	UART output.
TEST	I	7	Enables Production Test. <b>Must be grounded in normal operation.</b>
PB	I	3	Push button input. A rising edge sets the <i>IE_PB</i> flag and causes the part to wake up if it is in SLEEP or LCD mode. PB does not have an internal pull-up or pull-down. <b>If unused, this pin must be terminated to GNDD.</b>
X4MHZ	I	3	<b>This pin must be connected to GNDD.</b>



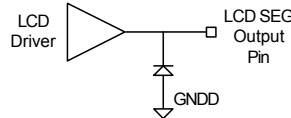
Pin types: P = Power, O = Output, I = Input, I/O = Input/Output  
The circuit number denotes the equivalent circuit, as specified on the following page.



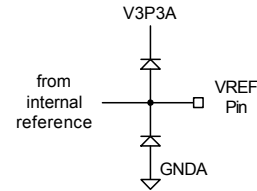
### I/O Equivalent Circuits:



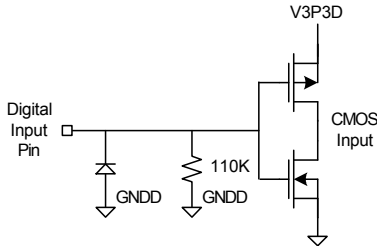
**Digital Input Equivalent Circuit**  
**Type 1:**  
 Standard Digital Input or pin configured as DIO Input with Internal Pull-Up



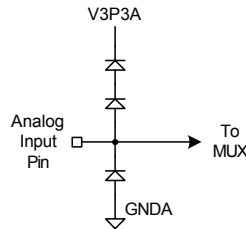
**LCD Output Equivalent Circuit**  
**Type 5:**  
 LCD SEG or pin configured as LCD SEG



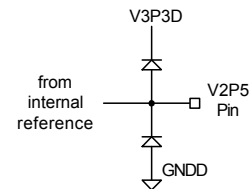
**VREF Equivalent Circuit**  
**Type 9:**  
 VREF



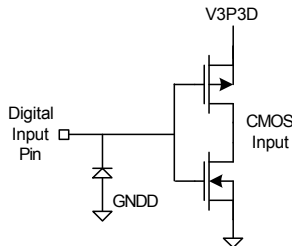
**Digital Input**  
**Type 2:**  
 Pin configured as DIO Input with Internal Pull-Down



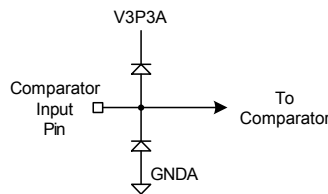
**Analog Input Equivalent Circuit**  
**Type 6:**  
 ADC Input



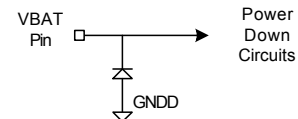
**V2P5 Equivalent Circuit**  
**Type 10:**  
 V2P5



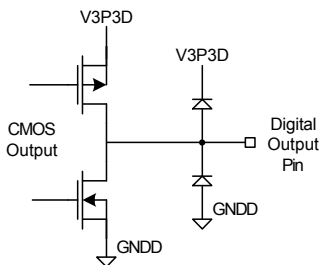
**Digital Input Type 3:**  
 Standard Digital Input or pin configured as DIO Input



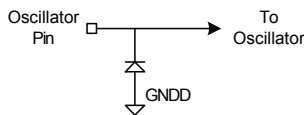
**Comparator Input Equivalent Circuit**  
**Type 7:**  
 Comparator Input



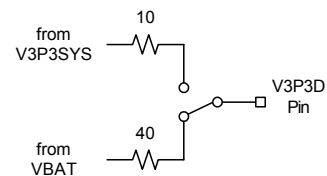
**VBAT Equivalent Circuit**  
**Type 12:**  
 VBAT Power



**Digital Output Equivalent Circuit**  
**Type 4:**  
 Standard Digital Output or pin configured as DIO Output



**Oscillator Equivalent Circuit**  
**Type 8:**  
 Oscillator I/O



**V3P3D Equivalent Circuit**  
**Type 13:**  
 V3P3D

**ORDERING INFORMATION**

PART	PART DESCRIPTION (PACKAGE, ACCURACY)	FLASH MEMORY SIZE	Packaging	ORDERING NUMBER	PACKAGE MARKING
71M6521BE	64-pin LQFP, Lead Free, 0.5%	8KB	Bulk	71M6521BE-IGT/F	71M6521BE-IGT
71M6521BE	64-pin LQFP, Lead Free, 0.5%	8KB	Tape & Reel	71M6521BE- IGTR/F	71M6521BE-IGT

**Data Sheet:** This Data Sheet is proprietary to TERIDIAN Semiconductor Corporation (TSC) and sets forth design goals for the described product. This data sheet is subject to change. TSC assumes no obligation regarding future manufacture, unless agreed to in writing. If and when manufactured and sold, this product is sold subject to the terms and conditions of sale supplied at the time of order acknowledgment, including those pertaining to warranty, patent infringement and limitation of liability. TERIDIAN Semiconductor Corporation (TSC) reserves the right to make changes in specifications at any time without notice. Accordingly, the reader is cautioned to verify that a data sheet is current before placing orders. TSC assumes no liability for applications assistance.

TERIDIAN Semiconductor Corp., 6440 Oak Canyon, Suite 100, Irvine, CA 92618

TEL (714) 508-8800, FAX (714) 508-8877, <http://www.teridian.com>