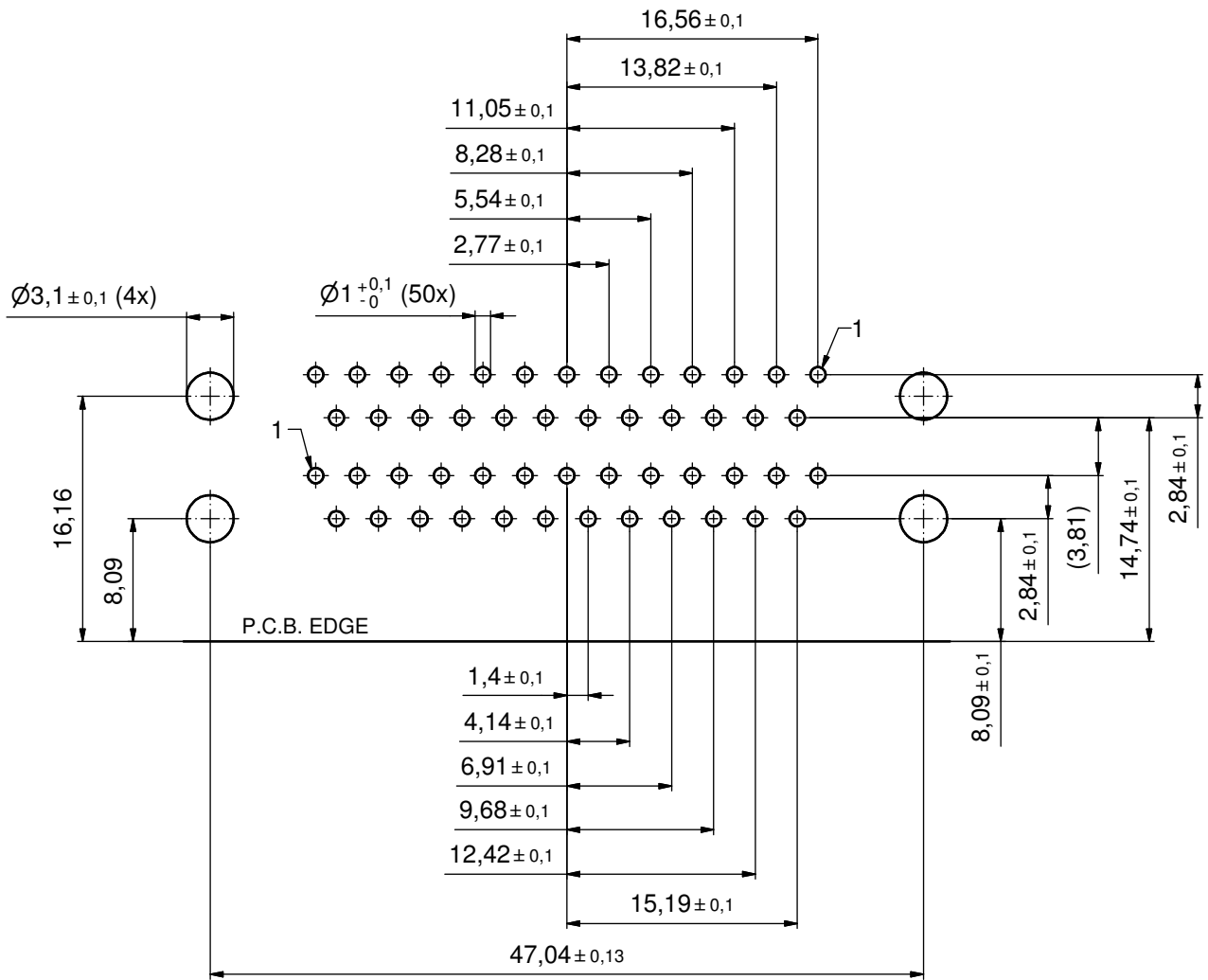


**NOTES:**

1. METAL SHELLS: STEEL; min. 315µm TIN over 40-80µm NICKEL
2. INSULATORS: PBT GF UL 94 V-0, BLACK
3. CONTACTS: COPPER ALLOY; PLATING (SEE PART NO):
  - PLEASE ADD A for GOLD FLASH over NICKEL (PREFERRED TYPE)
  - PLEASE ADD B for 20µm HARD GOLD over min. 50µm NICKEL
  - PLEASE ADD C for 30µm HARD GOLD over min. 50µm NICKEL
4. METAL BRACKETS:
  - ZINC DIE CAST; 300µm COPPER/40-120µm NICKEL/120-200µm TIN
5. THREADED INSERTS: COPPER ALLOY; min. 200µm TIN over 80µm NICKEL
6. FIXING PLATE: PBT GF UL 94 V-0, BLACK
7. P.C.B. HOLE DRILLINGS ON SHEET 2
8. MAXIMUM TORQUE VALUE FOR THREAD: 6 in.LB
9. CONNECTOR IS PART MARKET: **164□15669X CONECC ABC** (see note 3)

Directive 2002/95/EC RoHS compliant

THIS DRAWING MAY NOT BE COPIED OR REPRODUCED IN ANY WAY, AND MAY NOT BE PASSED ON TO A THIRD PARTY WITHOUT WRITTEN PERMISSION. OWNERSHIP AND COPYRIGHT OF CONECC GmbH  DO NOT ALTER CAD DRAWING BY HAND				tolerance		dim. in mm	scale: 2:1	
							material: see notes	
				drawn	22.04.13		Henneboel	
				appd.	22.04.13		Fischer	
		norm			title:			
		d-old			D-SUB DUAL PORT 15,88mm			
				25pos. FEMALE / 25pos. MALE			DIN-A3	
				threaded insert, metal bracket and fixing plate				
				dwg no:			sh:1/2	
				16K1A3233				
				part no:			164□15669X (see note 3)	
				16K1A3233				
rev.	description	date	name					
a	Original							



P.C.B. HOLE DRILLINGS  
(P.C.B. TOP SIDE)

THIS DRAWING MAY NOT BE COPIED OR REPRODUCED IN ANY WAY, AND MAY NOT BE PASSED ON TO A THIRD PARTY WITHOUT WRITTEN PERMISSION. OWNERSHIP AND COPYRIGHT OF CONEC GmbH  DO NOT ALTER CAD DRAWING BY HAND				tolerance	dim. in mm	scale: 3:1	
				date		name	material: see sheet 1
				drawn	22.04.13	Henneboel	<b>P.C.B. HOLE DRILLINGS</b> D-SUB DUAL PORT 15.88mm 25pos. Female / 25pos. Male
				appd.	22.04.13	Fischer	
				norm			
			d-old			dwg no:	
a	Original		<b>CONEC</b> <sup>®</sup>			16K1A3233	DIN-A3
rev.	description	date				name	part no: see sheet 1