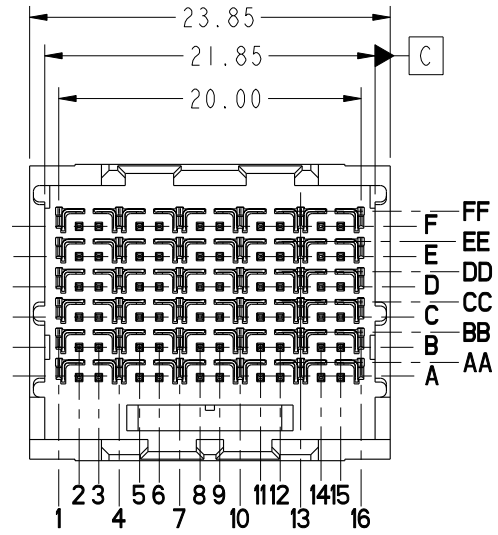
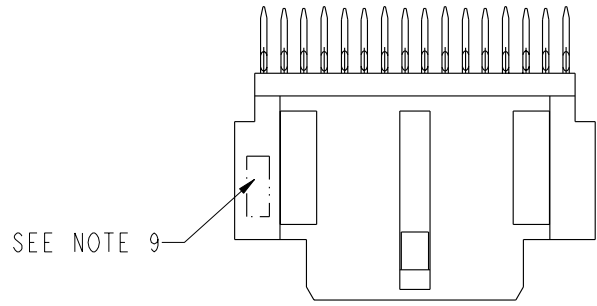
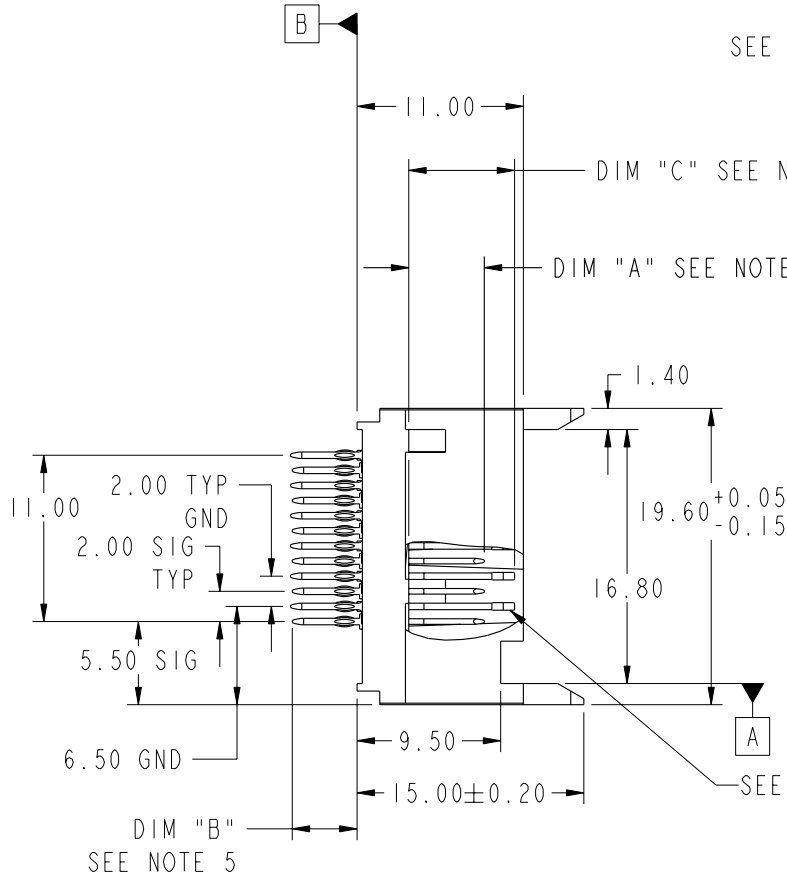


PRODUCT NUMBER
SEE SHEET 2



This document is the property of and embodies
 CONFIDENTIAL and PROPRIETARY information of FCI.
 No part of the information shown on this
 document may be used in any way or disclosed
 to others without the written consent of FCI.
 Copyright FCI.



mat'l code SEE NOTE 1				tolerances unless otherwise specified		CUSTOMER	FCI www.fciconnect.com	
ltr	ecn no.	dr	date	linear	0.X ± 0.3	COPY	title VERTICAL SIGNAL HDR. 6 ROW P.F. 30 PAIR SPECIAL LOAD	
L	V06-0498	DCH	2006-05-30		0.XX ± 0.10	projection		
M	V08-0124	HTB	2008-03-17		0.XXX ± 0.050			
-	-	-	-	angles	0° ± 2°		product family	METRAL 3000
G	V04-0070	DAI	2004-01-04	dr	S. KLINE	2000-04-21	size	dwg no
H	V04-0422	DAI	2004-05-06	engr	J. ORTEGA	2000-04-20	A	63372
J	V04-0661	TAB	2004-06-22	chr	A. RAISTRICK	2000-04-21	scale	2:1
K	V05-0925	DAI	2005-10-24	appd	J. ORTEGA	2000-04-21	sheet	213
sheet	revision	M	M	M	M	M	1 of 5	
index	sheet	1	2	3	4	5		

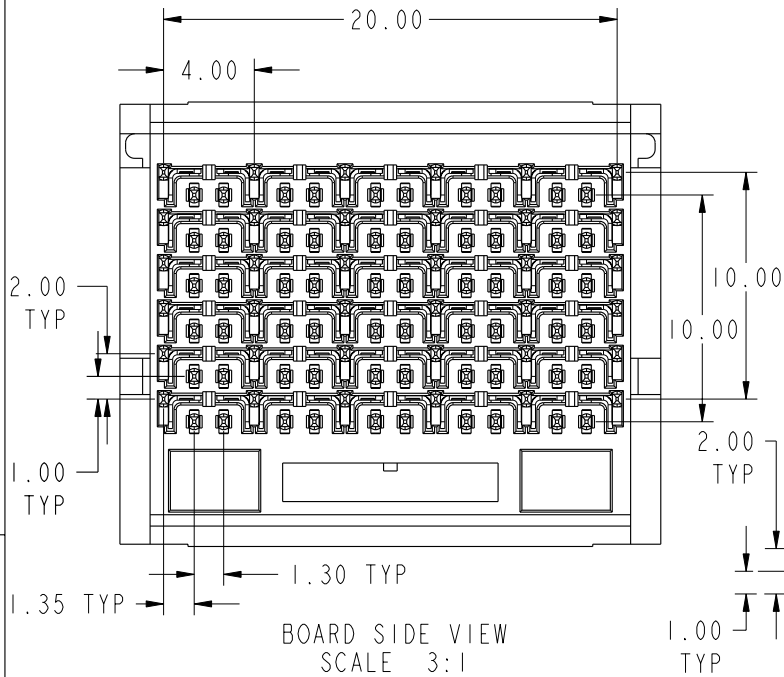


This document is the property of and embodies
 CONFIDENTIAL and PROPRIETARY information of FCI.
 No part of the information shown on this
 document may be used in any way or disclosed
 to others without the written consent of FCI.
 Copyright FCI.

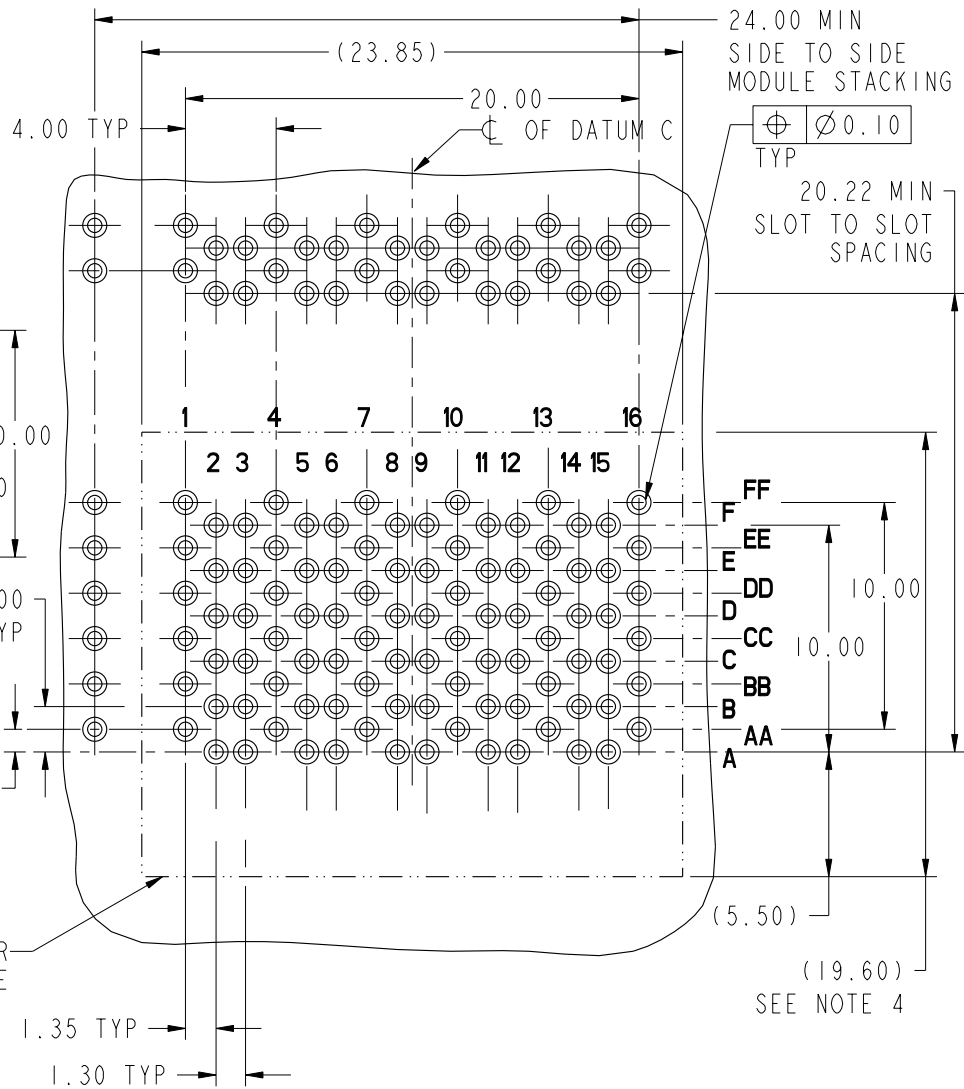
PRODUCT NUMBER SEE NOTE 8	CONTACT PLATING PERFORMANCE LEVEL	PRESS FIT TAIL PLATING	DIM "A"	DIM "B" SIGNAL	DIM "B" GROUND	DIM "C"
63372-101	TELCORDIA CO	STANDARD (SnPb)	5.00	4.30	4.30	7.00
63372-101LF	TELCORDIA CO	LEAD FREE (Sn)	5.00	4.30	4.30	7.00
63372-102	TELCORDIA CO	STANDARD (SnPb)	5.75	4.30	4.30	7.00
63372-102LF	TELCORDIA CO	LEAD FREE (Sn)	5.75	4.30	4.30	7.00
63372-103	TELCORDIA CO	STANDARD (SnPb)	6.50	4.30	4.30	7.00
63372-103LF	TELCORDIA CO	LEAD FREE (Sn)	6.50	4.30	4.30	7.00
63372-104	TELCORDIA CO	STANDARD (SnPb)	5.00	4.30	4.30	6.25
63372-104LF	TELCORDIA CO	LEAD FREE (Sn)	5.00	4.30	4.30	6.25
63372-110	TELCORDIA CO	STANDARD (SnPb)	5.00	3.40	3.40	7.00
63372-110LF	TELCORDIA CO	LEAD FREE (Sn)	5.00	3.40	3.40	7.00
63372-111	TELCORDIA CO	STANDARD (SnPb)	5.75	3.40	3.40	7.00
63372-111LF	TELCORDIA CO	LEAD FREE (Sn)	5.75	3.40	3.40	7.00
63372-112	TELCORDIA CO	STANDARD (SnPb)	6.50	3.40	3.40	7.00
63372-112LF	TELCORDIA CO	LEAD FREE (Sn)	6.50	3.40	3.40	7.00
63372-114	TELCORDIA CO	STANDARD (SnPb)	5.00	3.40	3.40	6.25
63372-114LF	TELCORDIA CO	LEAD FREE (Sn)	5.00	3.40	3.40	6.25

mat'l code SEE NOTE 1		tolerances unless otherwise specified		CUSTOMER		 www.fciconnect.com				
ltr	ecn no.	dr	date	linear	0.X ±0.3	COPY				
M					0.XX ±0.10	projection				
				angles	0.XXX ±0.050					
					0° ±2°					
		dr	S. KLINE	2000-04-21	MM		product family	METRAL 3000	code	
		enr	J. ORTEGA	2000-04-20			size	dwg no	213	sheet
		chr	A. RAISTRICK	2000-04-21	scale		A	63372	2	
		appd	J. ORTEGA	2000-04-21	1:1					
sheet index	revision sheet									

PRODUCT NUMBER
SEE SHEET 2



BOARD SIDE VIEW
SCALE 3:1



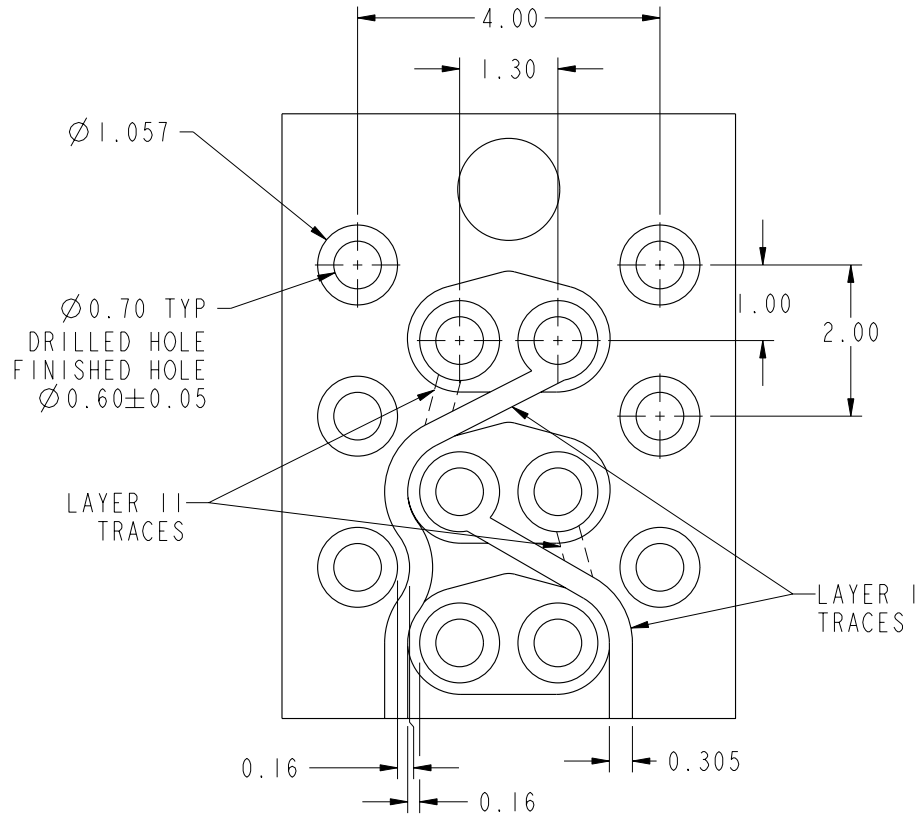
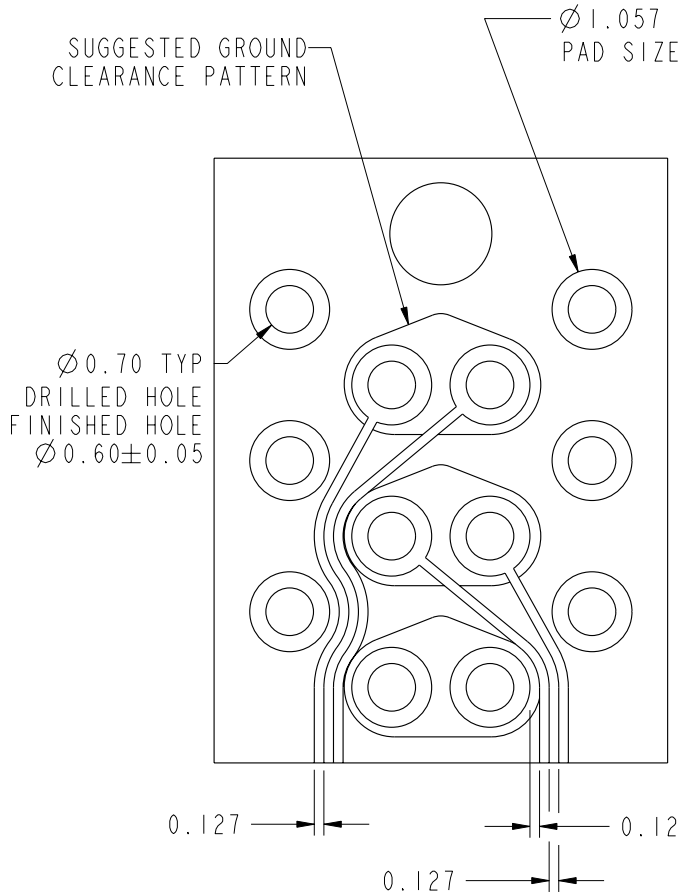
CONNECTOR
OUTLINE

PRESS-FIT HOLES	SIZE RANGE	NOMINAL
HOLE DIAMETER AFTER PLATING	$\varnothing 0.55 - \varnothing 0.65$	$\varnothing 0.60$
DRILLED HOLE	$\varnothing 0.68 - \varnothing 0.73$	$\varnothing 0.70$
COPPER PLATING	0.025 MIN	
SnPb PLATING	0.005 - 0.015	

mat'l code SEE NOTE 1				tolerances unless otherwise specified		CUSTOMER		FCJ www.fciconnect.com	
ltr	ecn no.	dr	date	linear	0.X ± 0.3	COPY		title	
M					0.XX ± 0.10	projection		VERTICAL SIGNAL HDR. 6 ROW P.F. 30 PAIR SPECIAL LOAD	
				angles	0.XXX ± 0.050	MM		product family METRAL 3000 code	
				dr	0° ± 2°	← MM →		size	
				enr	S. KLINE 2000-04-21	scale		dwg no	
				chr	J. ORTEGA 2000-04-20	1:1		A 63372	
				appd	A. RAISTRICK 2000-04-21			sheet	
					J. ORTEGA 2000-04-21			3	
sheet index	revision sheet							cage code	
								22526	

This document is the property of and embodies
 CONFIDENTIAL and PROPRIETARY information of FCJ.
 No part of the information shown on this
 document may be used in any way or disclosed
 to others without the written consent of FCJ.
 Copyright FCJ.

PRODUCT NUMBER
SEE SHEET 2



OPTION B (BROADSIDE COUPLED)
METRAL - HB DIFFERENTIAL
PCB TRACE LAYOUT

- UP TO 0.305 mm [0.012 in] TRACES MAX WITH 0.16 mm [0.006 in] GAPS
- 2 TRACES PER LAYER

mat'l code SEE NOTE 1				tolerances unless otherwise specified		CUSTOMER	FCJ www.fciconnect.com	
ltr	ecm no.	dr	date	linear	0.X ± 0.3	COPY	title	
M					0.XX ± 0.10	projection	VERTICAL SIGNAL HDR. 6 ROW P.F. 30 PAIR SPECIAL LOAD	
				angles	0.XXX ± 0.050		product family METRAL 3000 code	
				dr	0° ± 2°	MM	size	
				enr	S. KLINE 2000-04-21	scale	2:1	
				chr	J. ORTEGA 2000-04-20	A	dwg no 63372	
				appd	A. RAISTRICK 2000-04-21		sheet 4	
					J. ORTEGA 2000-04-21		sheet 4	
sheet index	revision sheet						cage code 22526	

This document is the property of and embodies CONFIDENTIAL and PROPRIETARY information of FCJ. No part of the information shown on this document may be used in any way or disclosed to others without the written consent of FCJ. Copyright FCJ.

PRODUCT NUMBER
SEE SHEET 2

NOTES:

- ① BODY MATERIAL: LIQUID CRYSTAL POLYMER 30% GF
FLAME RETARDANT PER UL 94-V0.
PIN MATERIAL: COPPER ALLOY
- ② DIM "C" REFERENCES GROUND PIN AND DIM "A" REFERENCES SIGNAL PIN
- 3. PRODUCT MARKING: PART NUMBER AND BATCH ID.
- ④ REFERENCE METRAL 3000 APPLICATION SPEC GS-20-012
FOR APPLICATION AND REPAIR REQUIREMENTS
- ⑤ DIMENSIONS AFTER INSERTION INTO CIRCUIT BOARD WITH
FCI APPROVED TOOLING.
- 6. REFERENCE METRAL 3000 PRODUCT SPEC GS-12-138
- 7. PRODUCTS WHERE THE PART NUMBER ENDS IN "LF"
MEETS EUROPEAN UNION DIRECTIVES AND OTHER COUNTRY
REGULATIONS AS DESCRIBED IN GS-22-008.

ALL PRODUCTS WILL WITHSTAND EXPOSURE TO 260° C FOR 60 SECONDS
IN A CONVECTION, INFRA-RED OR VAPOR PHASE REFLOW OVEN.

- ⑧ FOR LEAD FREE PART NUMBERS ADD "LF" SUFFIX.
EXAMPLE: 63372-IYYLF.
- ⑨ COMPANY LOGO TO BE LOCATED IN THIS AREA.



This document is the property of and embodies
CONFIDENTIAL and PROPRIETARY information of FCI.
No part of the information shown on this
document may be used in any way or disclosed
to others without the written consent of FCI.
Copyright FCI.

mat'l code SEE NOTE 1				tolerances unless otherwise specified		CUSTOMER		www.fciconnect.com	
ltr	ecn no.	dr	date	linear	0.X ±0.3		COPY		title VERTICAL SIGNAL HDR. 6 ROW P.F. 30 PAIR SPECIAL LOAD
M					0.XX ±0.10		projection		
				angles	0.XXX ±0.050				
					0° ±2°				
		dr	S. KLINE	2000-04-21	MM ←→		product family		code
		enr	J. ORTEGA	2000-04-20			METRAL		213
		chr	A. RAISTRICK	2000-04-21	scale 1:1		size		sheet
		appd	J. ORTEGA	2000-04-21			A		63372
sheet index	revision sheet								