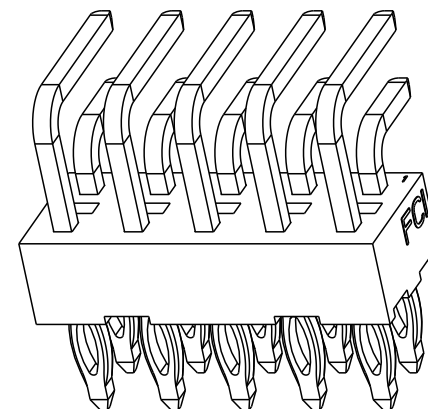
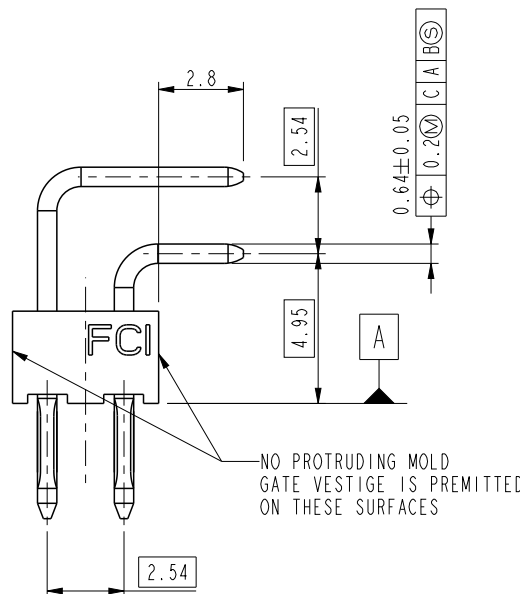
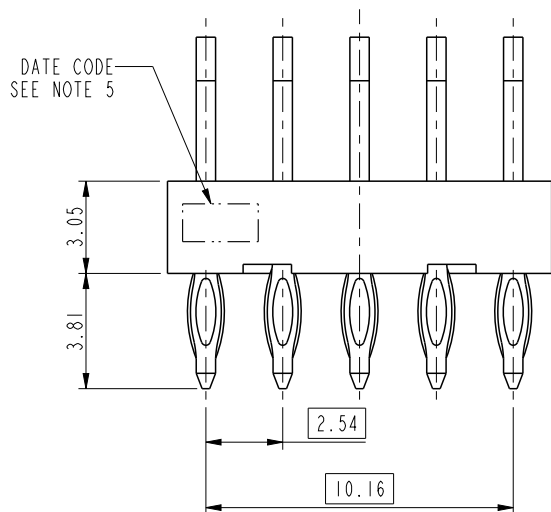
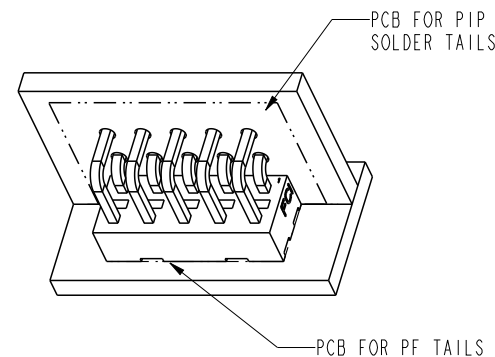
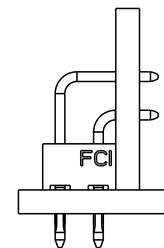
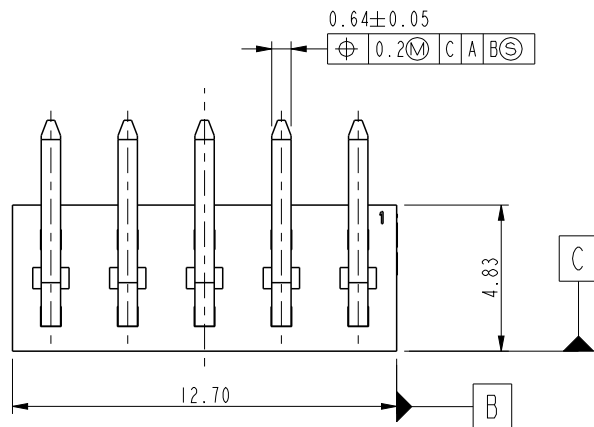




Copyright FCI.

PART NUMBER  
10089980-001LF

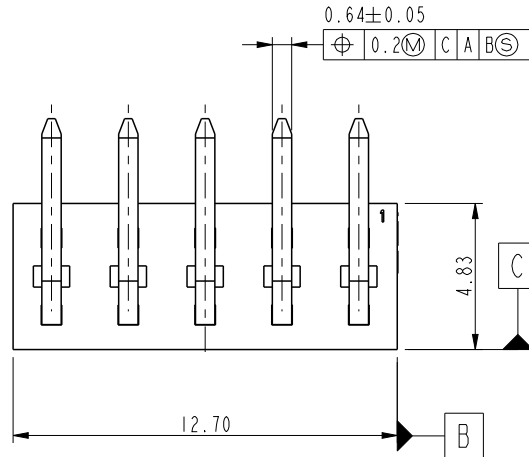


spec ref	*	dr	Kenny Tai	2008/06/30	projection	MM	size	A4	scale	4:1											
tolerance std	TOLERANCES UNLESS OTHERWISE SPECIFIED	eng	Kenny Tai	2011/04/13			ecn no		ELX-T-003558-1												
surface	<table border="1"> <tr> <td>linear</td> <td>0.X</td> <td>±0.3</td> </tr> <tr> <td></td> <td>0.XX</td> <td>±0.13</td> </tr> <tr> <td></td> <td>0.XXX</td> <td>±</td> </tr> <tr> <td>angular</td> <td>0°</td> <td>±2°</td> </tr> </table>	linear	0.X	±0.3				0.XX	±0.13		0.XXX	±	angular	0°	±2°	chr	-	product family	-	rel level	
linear	0.X	±0.3																			
	0.XX	±0.13																			
	0.XXX	±																			
angular	0°	±2°																			
		appr	-	-	title	R/A, COMBO WITH PIP & PF BERGSTIK HEADER CONNECTOR		dwg no	10089980		rev	D									
www.fci.com		cat. no.	10089980		Product - Customer Drw			sheet 1 of 3													

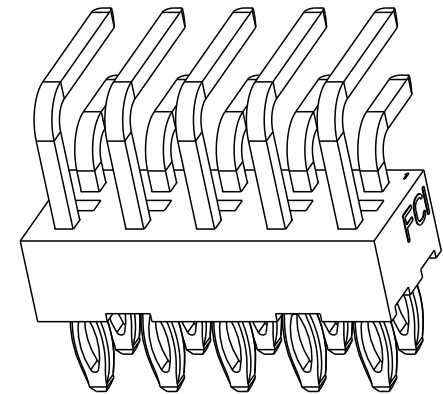
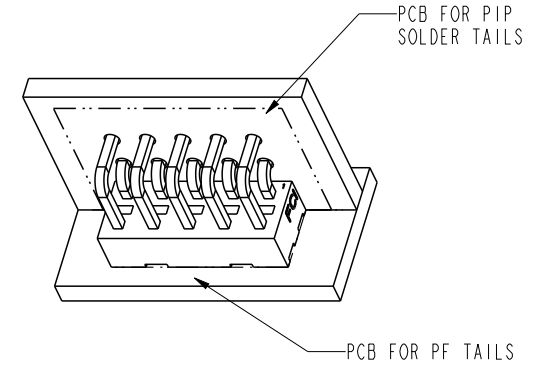
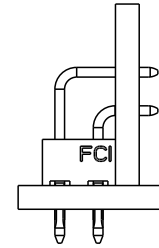
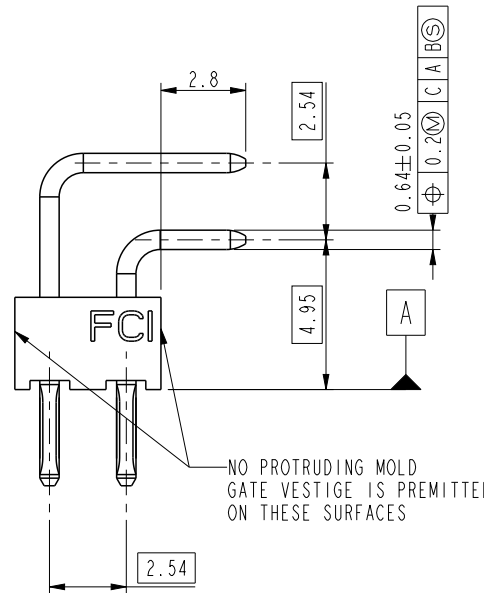
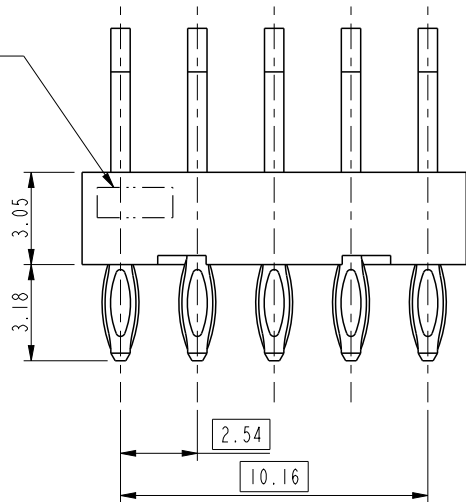


Copyright FCI.

PART NUMBER  
10089980-002LF



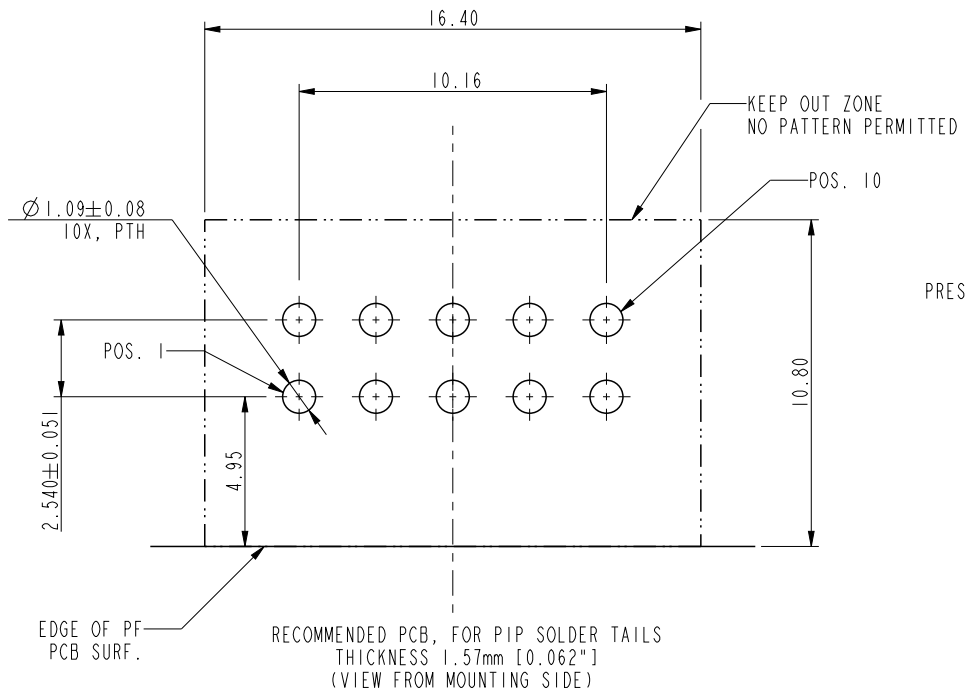
DATE CODE  
SEE NOTE 5



spec ref	*	dr	Kenny Tai	2008/06/30	projection	MM	size	A4	scale	1:1
tolerance std	TOLERANCES UNLESS OTHERWISE SPECIFIED	eng	Kenny Tai	2011/04/13			ecn no	ELX-T-003558-1		
		chr	-	-				rel level	Released	
surface	✓	appr	-	-	product family	-	rel level	Released		
	linear	0.X	±0.3		title R/A, COMBO WITH PIP & PF BERGSTIK HEADER CONNECTOR			dwg no 10089980		rev D
		0.XX	±0.13							
		0.XXX	±							
	angular	0°	±2°	www.fci.com	cat. no.	10089980	Product - Customer Drw		sheet 2 of 3	

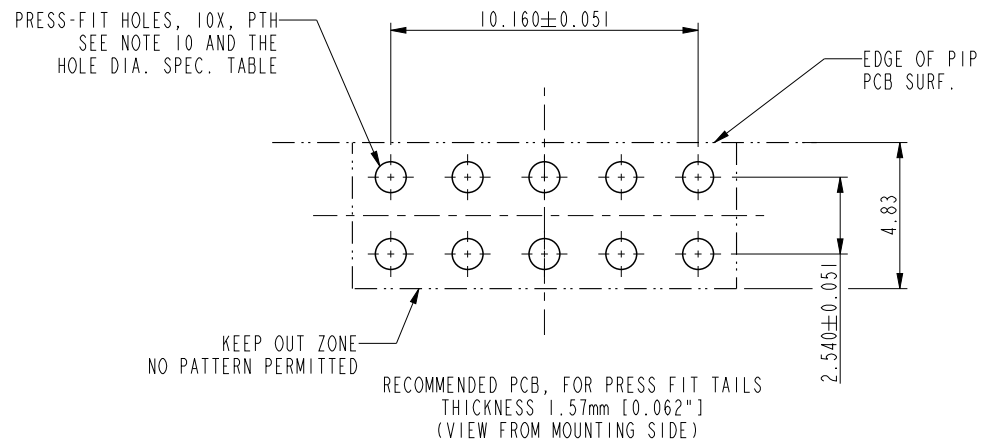


Copyright FCI.



Product No.	Description	Press-Fit Hole Specification	
		Inches	MM
10089980-001LF 10089980-002LF	Drilled Hole	$\varnothing 0.0453 \pm 0.001$	$\varnothing 1.151 \pm 0.025$
	Copper Plated	$\varnothing 0.0410 \pm 0.002$	$\varnothing 1.041 \pm 0.051$
10089980-002LF	HASL Tin Plated	$\varnothing 0.0400 \pm 0.003$	$\varnothing 1.020 \pm 0.080$
	Electroless Nickle Immersion Gold Plated	$\varnothing 0.0410 \pm 0.002$	$\varnothing 1.041 \pm 0.051$

\* Ensure 0.0014" ± 0.001" Thickness of Cu Plating

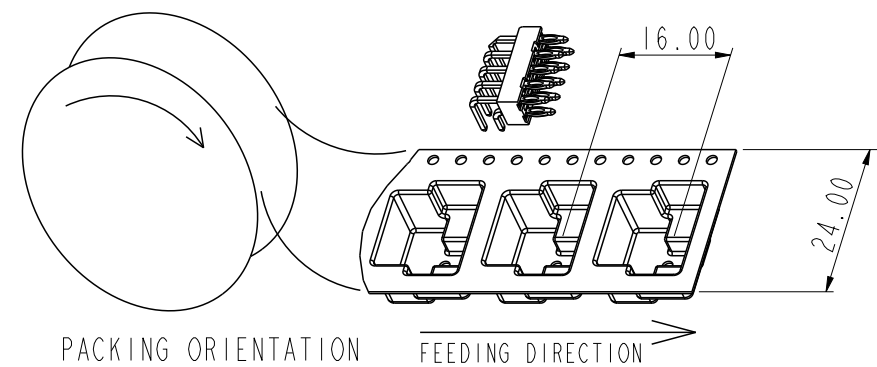


RECOMMENDED PCB, FOR PIP SOLDER TAILS  
THICKNESS 1.57mm [0.062"]  
(VIEW FROM MOUNTING SIDE)

RECOMMENDED PCB, FOR PRESS FIT TAILS  
THICKNESS 1.57mm [0.062"]  
(VIEW FROM MOUNTING SIDE)

- NOTES FOR CONNECTOR:
- HOUSING MATERIAL: HIGH TEMPERATURE THERMOPLASTIC, BLACK. UL 94V-0, FLAME RETARDANT.
  - TERMINAL: COPPER ALLOY.
  - PLATING:  
Ni: 50 u"/1.27um UNDERPLATED.  
Sn: 50 u"/1.27um ON SOLDER TAILS & PRESS FIT TAILS.
  - THE CONNECTOR CAN WITHSTAND 260°C PEAK TEMPERATURE 10 SECONDS FOR REFLOW PROCESS.
  - DATE CODE PRINTED ON THIS AREA. DATE CODE FORMAT: WWYY (WEEK + YEAR)
  - PRODUCT SPECIFICATION SEE GS-12-631.
  - PACKAGE: 730 PCS PER 15" REEL. PACKAGED PER GS-14-1429.

- NOTES FOR PCB:
- ALL THROUGH HOLES ARE LOCATED WITH A TRUE POSITION OF 0.1mm.
  - ALL DIAMETERS ARE FINISHED HOLE SIZES.
  - SEE THE TABLE FOR COMPLIANT (PRESS-FIT) HOLE DIMENSIONS.



dr	Kenny Tai	2008/06/30	projection 	MM	size	A4	scale	1:1
eng	Kenny Tai	2011/04/13			ecn no	ELX-T-003558-1		
chr	-	-			rel level	Released		
appr	-	-	product family	-	rev	D		
www.fci.com		cat. no.	10089980	Product - Customer Drw	sheet 3 of 3			

	title	R/A, COMBO WITH PIP & PF BERGSTIK HEADER CONNECTOR		dwg no	10089980	rev	D
--	-------	---	--	--------	----------	-----	---