

THIS DRAWING IS UNPUBLISHED.

RELEASED FOR PUBLICATION

JUN , - .

LOC J

DIST -

REVISIONS

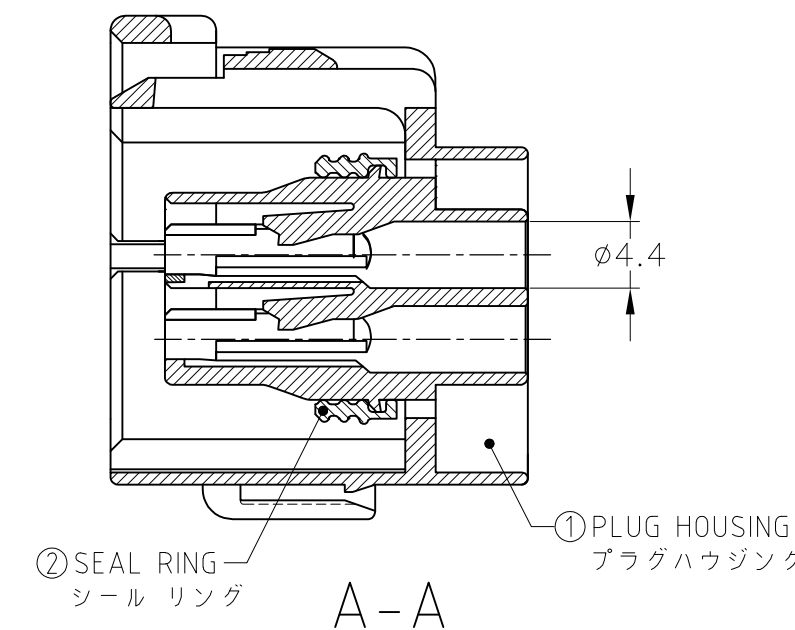
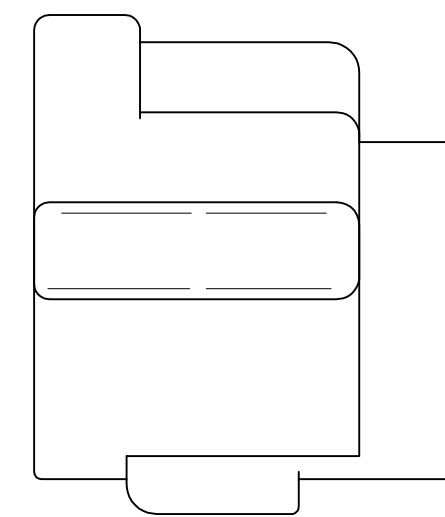
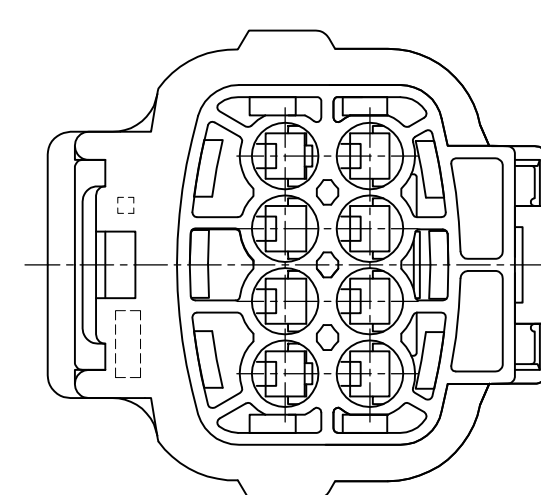
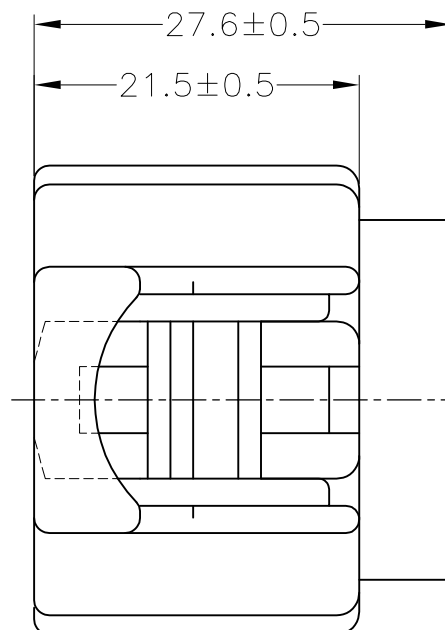
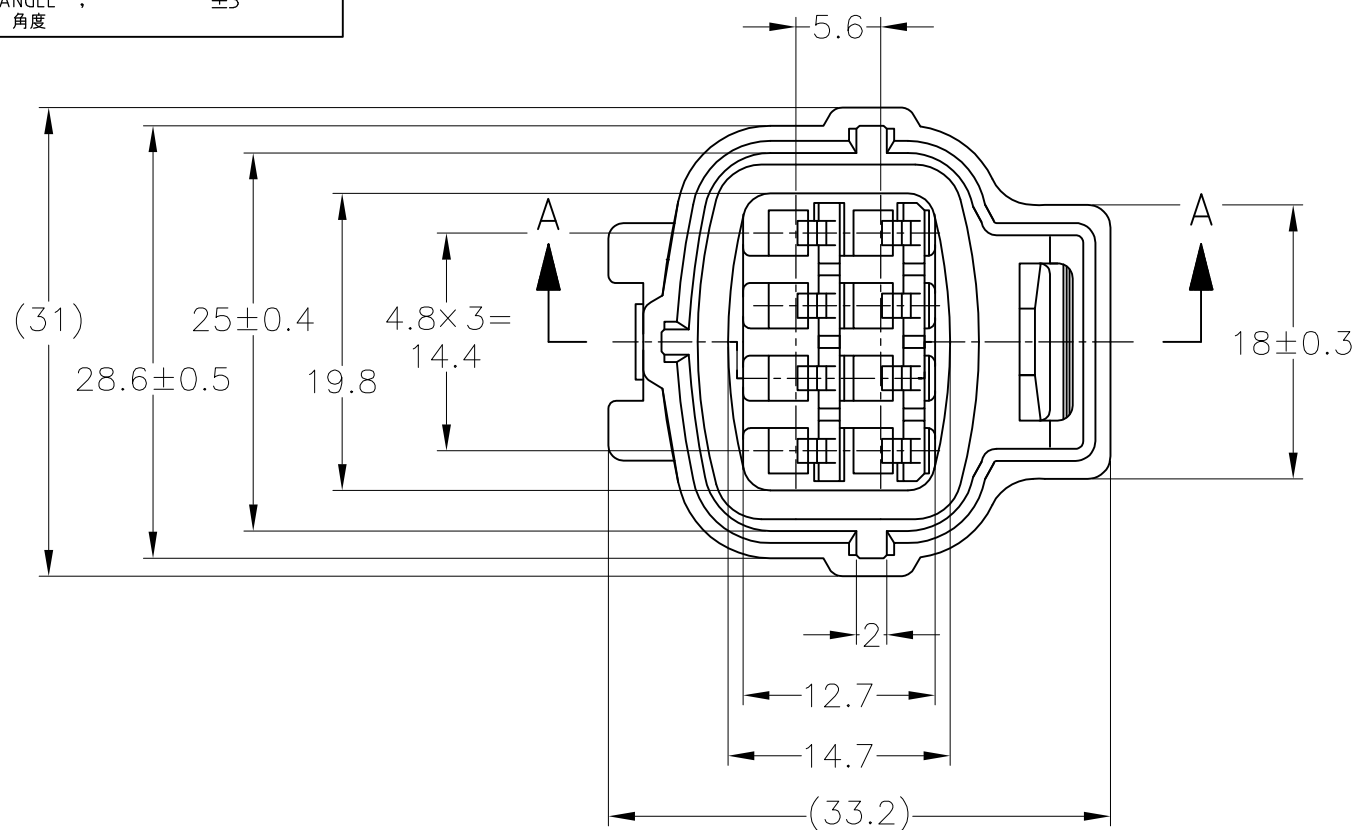
変更

© COPYRIGHT 2014 Tyco Electronics Japan G.K.

ALL RIGHTS RESERVED.

P	LTR	DESCRIPTION	DATE	DWN	APVD
	A1	REVISED	12NOV14	DM	TK
		ECR-14-016547			

TOLERANCE UNLESS OTHERWISE SPECIFIED:
 一般公差
 0 < x ≤ 10 : ±0.2
 10 < x ≤ 30 : ±0.25
 30 < x ≤ 100 : ±0.3
 ANGLE : ±3°
 角度



- 1. 嵌合相手型番 : 174984
 - 2. 本品はプラグハウジング単体にシールリングがアッセンブリされたものである。
 - 3. 本品はダブルロックプレート型番 174983を装着して使用する。
 - ⚠️ シールリングはフタル酸フリー品である。
- 1. FOR CAP HOUSING PN 174984
 - 2. THIS PART IS COMPOSED OF PLUG HOUSING AND SEAL RING
 - 3. THIS PART MUST BE USED WITH DOUBLE LOCK PLATE PN 174983
 - ⚠️ SEAL RING IS NON-BIS TYPE

NBR⚠️/BLACK	PBT/BLACK	2822393-1
② SEAL RING	① PLUG HOUSING	PART NUMBER
MATERIAL / COLOR		

THIS DRAWING IS A CONTROLLED DOCUMENT.		DWN D.MATSUURA 06AUG2014	TE Connectivity		
DIMENSIONS: 単位: 耗 mm		CHK S.IWATANI 06AUG2014			
TOLERANCES UNLESS OTHERWISE SPECIFIED: 一般公差		APVD T.KOHNO 06AUG2014	NAME 名称 8Pos. ECONOSEAL J-MARKII+ CONNECTOR PLUG HOUSING		
0 PLC ± -		PRODUCT SPEC 製品規格 108-5262	SIZE A3		
1 PLC ± -		APPLICATION SPEC 取付適用規格 114-5082	CAGE CODE 00779	DRAWING NO 番号 C-2822393	RESTRICTED TO -
2 PLC ± -		WEIGHT 11g	SCALE 尺度 2:1		
3 PLC ± -		CUSTOMER DRAWING	SHEET 1 OF 2		
4 PLC ± -			REV A1		
ANGLES ± -					
MATERIAL 材料 SEE TABLE					
FINISH 仕上					

THIS DRAWING IS UNPUBLISHED.

RELEASED FOR PUBLICATION

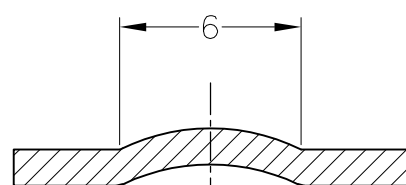
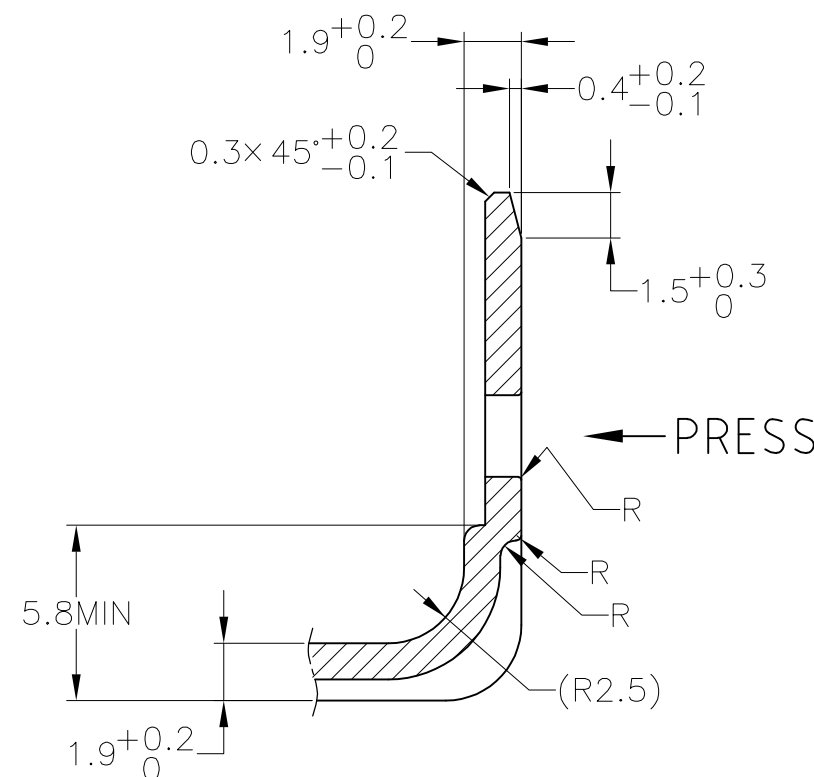
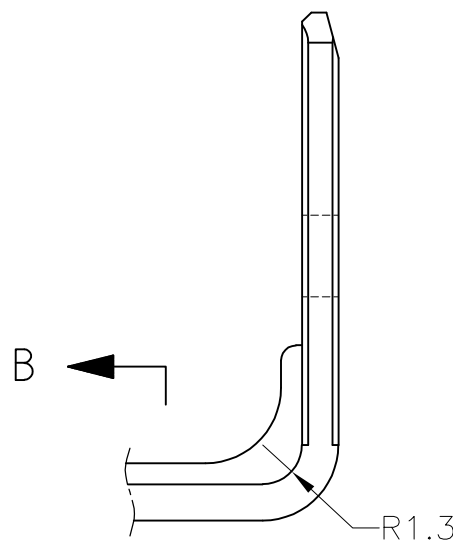
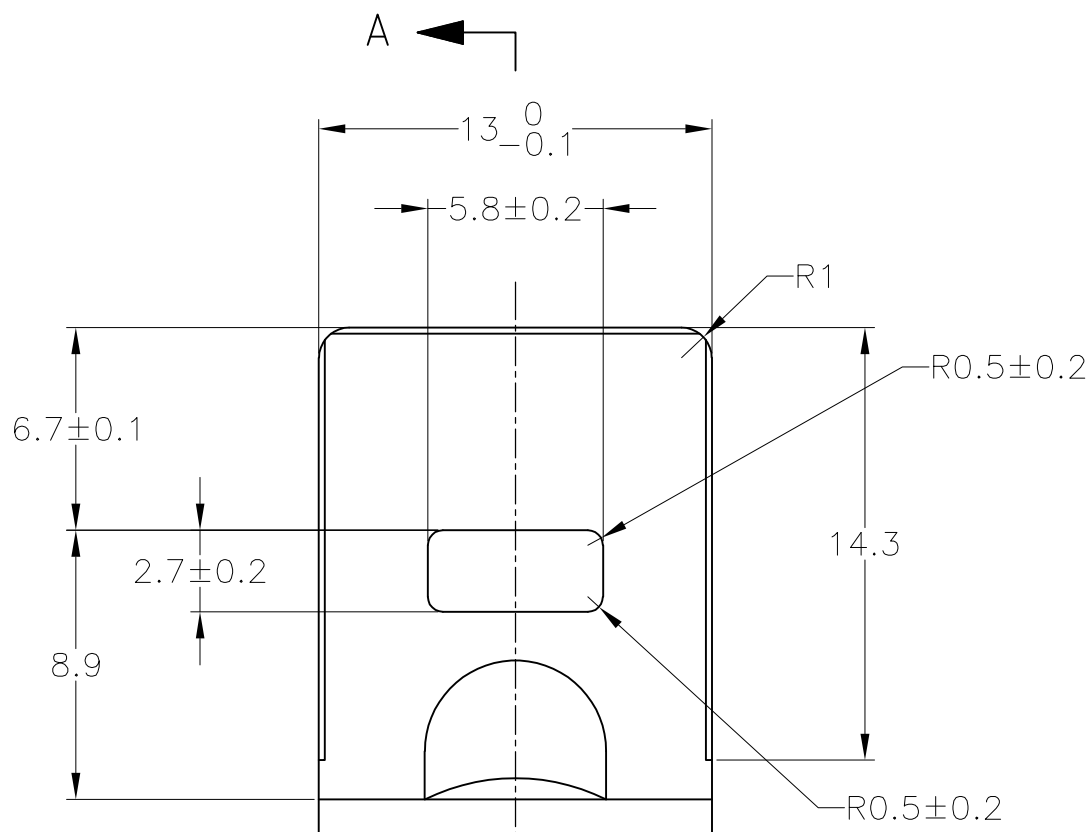
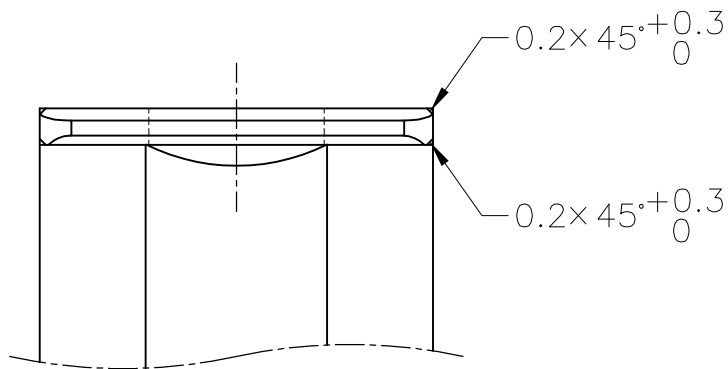
-. -. .

© COPYRIGHT - By Tyco Electronics Japan G.K.

ALL RIGHTS RESERVED.

LOC	DIST	REVISIONS					
J	-	P	LTR	DESCRIPTION	DATE	DWN	APVD
		-		SEE SHEET 1	-	-	-

ブラケット推奨寸法図
RECOMMENDED DIMENSION OF BRACKET



t = 1.2 ± 0.08

TOLERANCE UNLESS OTHERWISE SPECIFIED:
一般公差

0 < x ≤ 10	: ±0.2
10 < x ≤ 30	: ±0.25
30 < x ≤ 100	: ±0.3
ANGLE ; 角度	: ±3°

THIS DRAWING IS A CONTROLLED DOCUMENT.

DIMENSIONS: 単位: 耗 mm	TOLERANCES UNLESS OTHERWISE SPECIFIED: 一般公差
	0 PLC ± -
	1 PLC ± -
	2 PLC ± -
	3 PLC ± -
	4 PLC ± -
	ANGLES ± -
MATERIAL 材料	FINISH 仕上

DWN D.MATSUURA	06AUG2014		TE Connectivity			
CHK S.IWATANI	06AUG2014		8Pos. ECONOSEAL J-MARKII+ CONNECTOR PLUG HOUSING			
APVD T.KOHNO	06AUG2014		SIZE	CAGE CODE	DRAWING NO 番号	RESTRICTED TO
PRODUCT SPEC 製品規格			A3	00779	C-2822393	-
APPLICATION SPEC 取付適用規格		CUSTOMER DRAWING		SCALE 尺度	SHEET 2 OF 2	REV A1