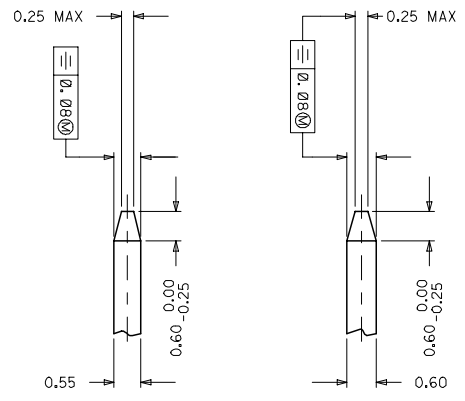
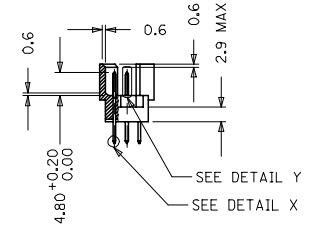
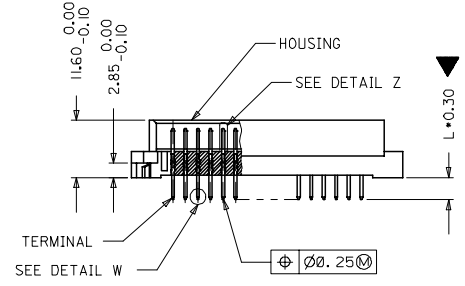
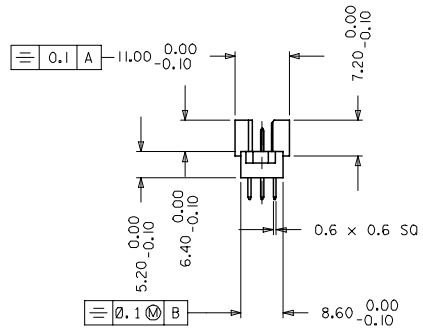
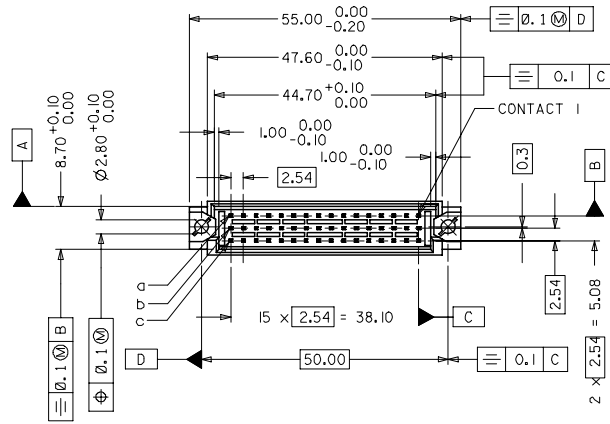
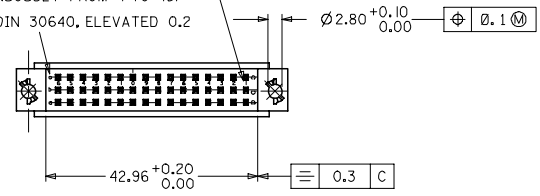


- NOTES:
 1. MATERIAL NUMBER, BATCH CODE, UL CSA MARKING TO BE PRINTED ON THE CONNECTOR AS PER E-36502-005
 2. PRODUCT SPECIFICATION PS:85013-001
 3. PACKING SPECIFICATION PK: 36512-001
 4. CUT FACES OF TIP WITHOUT PLATING IS PERMITTED
 5. REFERENCE AREA OF PLATING
 6. GAUGE DRAWING REFER E-36500-100



SCRIPT E1.25-5 DIN 30640, ELEVATED 0.2 (NUMBERED CONTINUOUSLY FROM 1 TO 16)
 SCRIPT E1.5-6 DIN 30640, ELEVATED 0.2

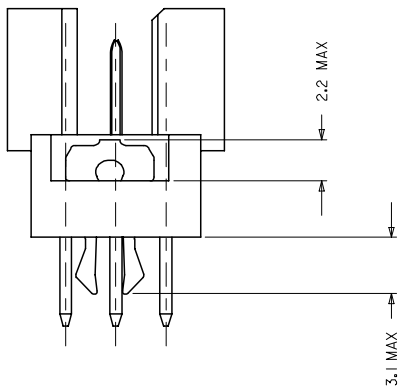
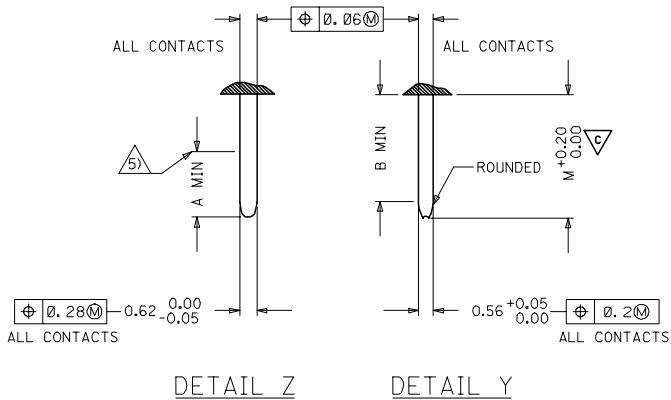


DETAIL W 20:1
 DETAIL X 20:1

EC NO. 12005-0092 DRAWN BY DRWNSHIVASHA CHKD BY CHKRPRASAD APPRD BY APPRSSUDHIR	QUALITY SYMBOLS ▽=1 ▽=0	GENERAL TOLERANCES (UNLESS SPECIFIED)		DIMENSION STYLE	SCALE	DESIGN UNITS	THIRD ANGLE PROJECTION	
		mm	INCH	MM ONLY	2:1	METRIC	☉	
		4 PLACES ± --- ± ---	3 PLACES ± 0.005 ± ---	2 PLACES ± 0.05 ± ---	1 PLACE ± 0.1 ± ---	ANGULAR ± 2 °	DRAWN BY DATE NS 2004/03/31 CHECKED BY DATE GJLOWE 2004/03/31 APPROVED BY DATE GJLOWE 2004/03/31	
DRAFT WHERE APPLICABLE MUST REMAIN WITHIN DIMENSIONS		SEE CHART		TITLE 48 POS. MALE CONNECTOR ACC. DIN 41612 STYLE R/2 CONTACTS MATERIAL NO. SEE CHART DOCUMENT NO. E-85013-0002				SHEET NO. 1 OF 2
THIS DRAWING CONTAINS INFORMATION THAT IS PROPRIETARY TO MOLEX INCORPORATED AND SHOULD NOT BE USED WITHOUT WRITTEN PERMISSION								

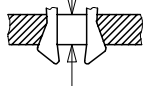
PRE MATING CONTACTS	5.4	4.1	4.8
NORMAL CONTACTS	4.8	3.5	4.2
	M	A	B

MALE CONNECTOR WITH MOUNTING CLIPS



CLIPS SNAP UNDER
PC - BOARD OF
1.5 to 1.8 mm
Fm < 60N
Fr >= 20N
Fr >= 200N, WHEN
SOLDERED IN
PLATED - THROUGH
FIXING HOLES

Fm = MOUNTING FORCE
(FOR ONE CONNECTOR = 2 CLIPS)



FR = RETENTION FORCE
(FOR ONE CONNECTOR = 2 CLIPS)

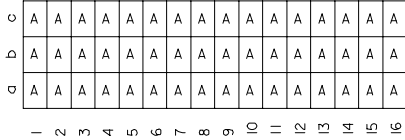
CLIPS STICK IN
FIXING HOLE OF
PC - BOARDS
OVER 1.8 mm
Fm < 60N
FR >= 16N



IEC NO.: I2005-0092 DRAWN BY: DR WINGHYASHA CHECKED BY: CHIKDIPRASAD APPROVED BY: APPR:SSUDHIR	2004/11/23 2004/11/23 2004/11/23	QUALITY SYMBOLS ▽=0 ▽=1	GENERAL TOLERANCES (UNLESS SPECIFIED)		DIMENSION STYLE MM ONLY	SCALE 2:1	DESIGN UNITS METRIC	THIRD ANGLE PROJECTION
			4 PLACES ± --- ± --- 3 PLACES ± 0.005 ± --- 2 PLACES ± 0.05 ± --- 1 PLACE ± 0.1 ± --- ANGULAR ± 2 °	DRAWN BY: NS DATE: 2004/03/31 CHECKED BY: GJLOWE DATE: 2004/03/31 APPROVED BY: GJLOWE DATE: 2004/03/31	TITLE: 48 POS. MALE CONNECTOR ACC. DIN 41612 STYLE R/2 CONTACTS			
DRAFT WHERE APPLICABLE MUST REMAIN WITHIN DIMENSIONS			SEE CHART		MATERIAL NO. E-85013-0002	DOCUMENT NO. E-85013-0002	SHEET NO. 2 OF 2	
THIS DRAWING CONTAINS INFORMATION THAT IS PROPRIETARY TO MOLEX INCORPORATED AND SHOULD NOT BE USED WITHOUT WRITTEN PERMISSION								

20 19 18 17 16 15 14 13 12 11 9 8 7 6 5 4 3 2 1

VIEW ON MATING SIDE



A = 48 STANDARD CONTACTS L = 13.3

MARKING	STANDARD
PERFORMANCE LEVEL	G2/O = CONTACT AREA LEVEL2 / TERMINATION TIN
FLUX PROOF	NO
FIXING CLIP	NO
DIMENSIONS	SD-85013-0002 SHT 1

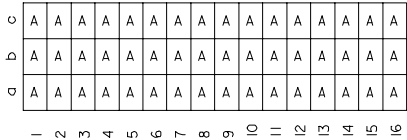
A	G2/O	a1-16 b1-16 c1-16
CONTACT SYMBOL	PERFORMANCE LEVEL	CONTACT POSITION NUMBER

SL. NO.	DESCRIPTION	CONTACT SYMBOL	PART NUMBER	QTY
1	HOUSING		36520-0002	1
2	TERMINAL	A	36527-0005	48

EC NO. I 2002-XXXX DRAWN BY NLS 31/03/04 CHK'd G.L. 31/03/04 APPR'd L. 31/03/04	QUALITY SYMBOLS	GENERAL TOLERANCES: (UNLESS SPECIFIED)	SCALE	DESIGN UNITS	DIMENSIONS:		SHT	REV
	MAJOR	<input type="checkbox"/> MM <input type="checkbox"/> INCH	<input type="checkbox"/> 1:1 <input type="checkbox"/> 2:1	<input checked="" type="checkbox"/> THIRD ANGLE PROJECTION	<input type="checkbox"/> MM <input type="checkbox"/> INCH	<input type="checkbox"/> DIM <input checked="" type="checkbox"/> ONLY	REVISION ON CAD ONLY	
	CRITICAL	4 PLACES $\pm 0.$ $\pm.$	DRAWN BY & DATE NLS 31/03/04	TITLE: 48 POS MALE CONNECTOR ACCORDING DIN 41612 STYLE R/2 CONTACTS ARRANGEMENT				
		3 PLACES $\pm 0.$ $\pm.$	CHECKED BY & DATE G.L. 31/03/04	MATERIAL NO. 85013-2036		DRAWING NO. E-85013-2036		SHEET NO. 1 OF 1
	2 PLACES $\pm 0.$ $\pm.$	APPROVED BY & DATE G.L. 31/03/04	CAD FILENAME E-85013-2036.S01					
	1 PLACE $\pm 0.$ $\pm.$		ANGULAR: \pm					
DRAFT WHERE APPLICABLE MUST REMAIN WITHIN DIMENSIONS		THIS DRAWING CONTAINS INFORMATION THAT IS PROPRIETARY TO MOLEX INCORPORATED AND SHOULD NOT BE USED WITHOUT WRITTEN PERMISSION.						

19 18 17 16 15 14 13 12 11 10 9 8 7 6 5 4 3 2 1

VIEW ON MATING SIDE



A = 48 STANDARD CONTACTS L = 13.3

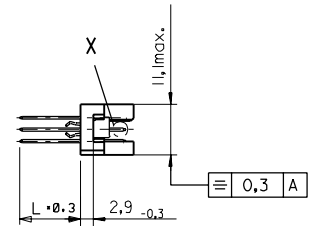
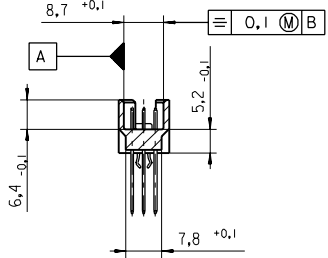
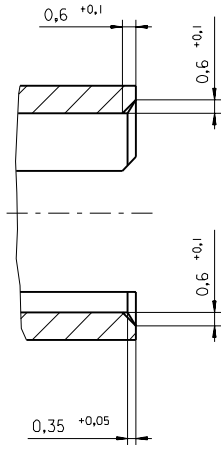
MARKING	STANDARD
PERFORMANCE LEVEL	G2/O = CONTACT AREA LEVEL2 / TERMINATION TIN
FLUX PROOF	NO
FIXING CLIP	NO
DIMENSIONS	SD-85013-0002 SHT 1

A	G2/O	a1-16 b1-16 c1-16
CONTACT SYMBOL	PERFORMANCE LEVEL	CONTACT POSITION NUMBER

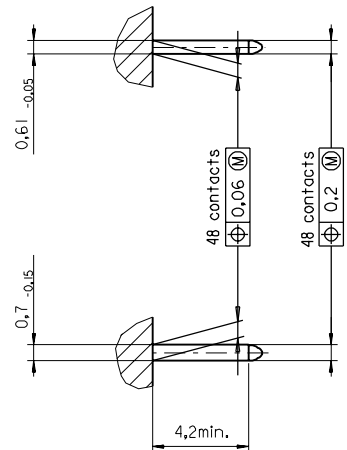
EC NO. I 2002-XXXX DRAWN L.S. 31/03/04 CHK G.L. 31/03/04 APPR. L.S. 31/03/04	QUALITY SYMBOLS MAJOR CRITICAL	GENERAL TOLERANCES: (UNLESS SPECIFIED) mm INCH	SCALE <input checked="" type="checkbox"/> mm <input type="checkbox"/> INCH	DESIGN UNITS <input checked="" type="checkbox"/> mm <input type="checkbox"/> INCH	DIMENSIONS: <input type="checkbox"/> mm INCH <input type="checkbox"/> mm ONLY <input checked="" type="checkbox"/> INCH ONLY	SHT REV REVISE ON CAD ONLY	
	DRAWN BY & DATE NLS 07/02/02	CHECKED BY & DATE G.L. 07/02/02	APPROVED BY & DATE G.L. 07/02/02	TITLE: 48 POS MALE CONNECTOR ACCORDING DIN 41612 STYLE R/2 CONTACTS ARRANGEMENT			
	CAD FILENAME S850132036.S01	MATERIAL NO. 85013-2036	DRAWING NO. SD-85013-2036	Molex MOLEX INCORPORATED			
	DRAFT WHERE APPLICABLE MUST REMAIN WITHIN DIMENSIONS	THIS DRAWING CONTAINS INFORMATION THAT IS PROPRIETARY TO MOLEX INCORPORATED AND SHOULD NOT BE USED WITHOUT WRITTEN PERMISSION.					SHEET NO. 1 OF 1 SIZE D

PART NO.
DWG. NO.

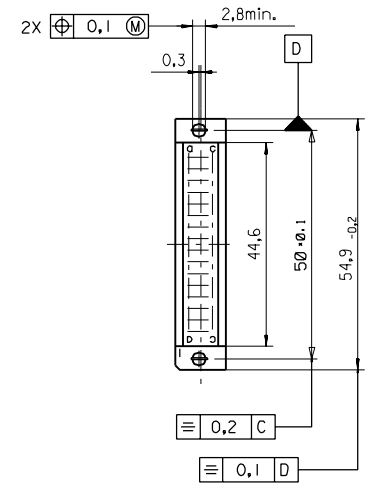
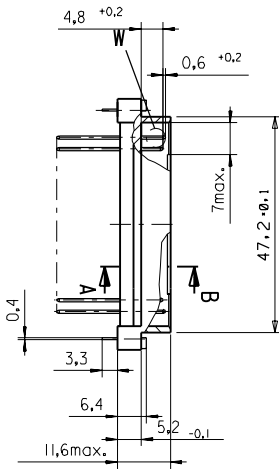
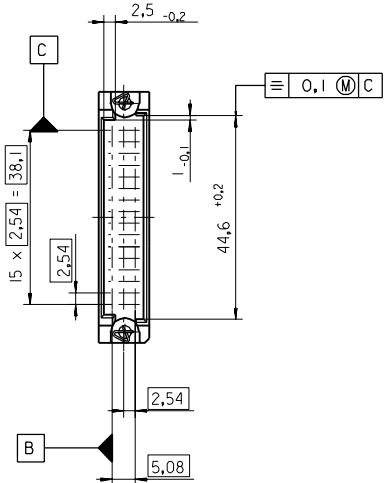
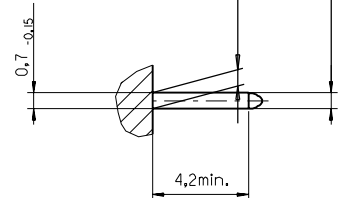
Section A - B
5:1



View X
5:1

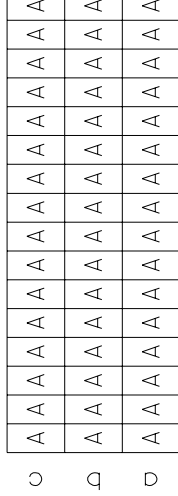


View W
5:1



BI	LTR	first release see ECN No. 1887	FIRST ANGLE PROJECTION		REVISE ONLY ON CAD SYSTEM		SH.	REV.
		FOR PREVIOUS REVISIONS SEE MRI LIST	UNLESS OTHERWISE SPECIFIED TOLERANCES: ANGULAR ±2°	DRWG BY Ca	SIGN	CAD/CAM PROJECT NAME 85013000 821	THIS DRAWING CONTAINS INFORMATION THAT IS PROPRIETARY TO MOLEX INC. & SHOULD NOT BE USED WITHOUT WRITTEN PERMISSION	
			INCH	METRIC	CHK'D BY KN	SIGN	TITLE 48 pos. Male connector acc. DIN 41612 style R/2 Dimensions	
			3 PLACE ± . ±	±	APP'D BY	SIGN	SHEET NO. DATE 1 OF 95/06/08	
			2 PLACE ± . ±	±	SCALE		PART NO. DWG NO. SIZE SDA-85013-0002 B	
			1 PLACE ± . ±	±				
			DRAFT WHERE APPLICABLE MUST REMAIN WITHIN DIMENSIONS					
			DESIGN DIMENSION	<input checked="" type="checkbox"/> MM <input type="checkbox"/> IN.				
			EQUIVALENT DIMENSION	<input type="checkbox"/> MM <input type="checkbox"/> IN.				
			IF TWO DIMENSIONS ARE SHOWN THE UPPER IS THE DESIGN DIMENSION, LOWER IS SECONDARY					

View on mating side



A = 48 standard contacts L=13,3

Marking	Standard
Performance level	G2/0 = Contact area perform. level2 / Termination tin
Flux proof	no
Fixing clip	no
Dimensions	SDA-85013-0002 sht.1
Technical Data	PS-85013-0001

A	G2/0	a1-l6	b1-l6	c1-l6	
Contact symbol	Perform. level	Contact position number			

first release see ECN No. 1868	REVISIONS	FOR PREVIOUS REVISIONS SEE MRI LIST			REVISE ONLY ON CAD SYSTEM	SH.	REV.				
		UNLESS OTHERWISE SPECIFIED TOLERANCES: ANGULAR $\pm 2^\circ$	DRWG BY	SIGN	CAD/CAM PROJECT NAME	THIS DRAWING CONTAINS INFORMATION THAT IS PROPRIETARY TO MOLEX INC. & SHOULD NOT BE USED WITHOUT WRITTEN PERMISSION					
LTR	REVISIONS	3 PLACE \pm .	INCH	METRIC	CHK'D BY	SIGN	TITLE	SHEET NO.	DATE		
		2 PLACE \pm .			KN	APP'D BY	SCALE	48 pos. Male connector acc. DIN 41612 style R/2 contacts arrangement			
		1 PLACE \pm .			DRAFT WHERE APPLICABLE MUST REMAIN WITHIN DIMENSIONS		molex MOLEX EUROPE 1 OF 1 95/06/07				
		DESIGN DIMENSION	<input type="checkbox"/> MM	<input type="checkbox"/> IN.	EQUIVALENT DIMENSION		<input type="checkbox"/> MM	<input type="checkbox"/> IN.	PART NO.	DWG NO.	SIZE
								85013-2036	SDA-85013-2036	A	
IF TWO DIMENSIONS ARE SHOWN THE UPPER IS THE DESIGN DIMENSION, LOWER IS SECONDARY											