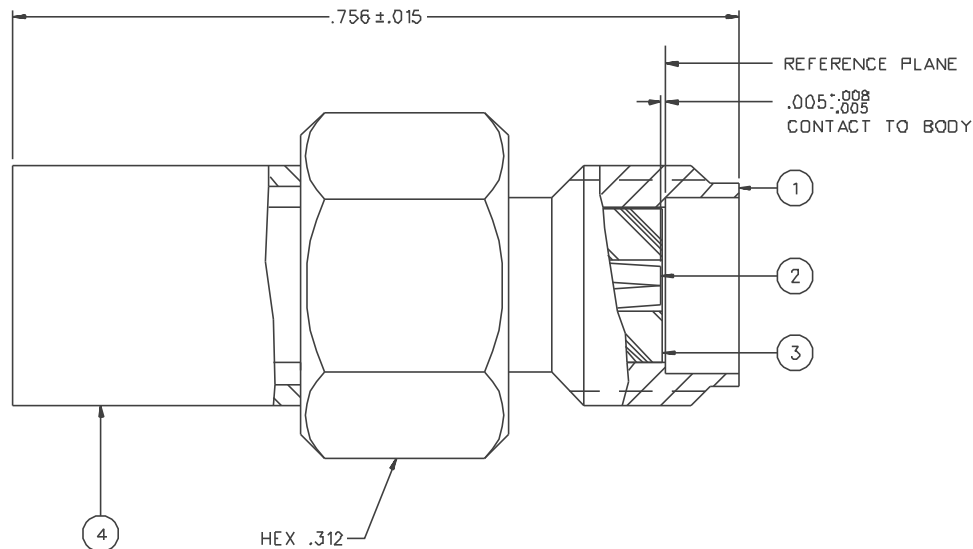


| PART NUMBER  | ITEM ①<br>BODY  | ITEM ②<br>CONTACT  | ITEM ③<br>INSULATOR | ITEM ④<br>CRIMP SLEEVE   |
|--------------|---|--|---------------------|--|
| 142-0307-011 | BRASS<br>GOLD PL .00001 MIN OVER<br>NICKEL PL .00005 MIN OVER<br>COPPER PL .00005 MIN | BERYLLIUM COPPER<br>GOLD PL .00005 MIN OVER<br>NICKEL PL .00005 MIN OVER<br>COPPER PL .00005 MIN | TEFLON              | COPPER<br>GOLD PL .00001 MIN OVER<br>NICKEL PL .00005 MIN OVER<br>COPPER PL .00005 MIN |
| 142-0307-016 | BRASS<br>NICKEL PL .0001 MIN OVER<br>COPPER PL .00005 MIN                             | BERYLLIUM COPPER<br>GOLD PL .00005 MIN OVER<br>NICKEL PL .00005 MIN OVER<br>COPPER PL .00005 MIN | TEFLON              | COPPER<br>NICKEL PL .0001 MIN OVER<br>COPPER PL .00005 MIN                             |



NOTES:

1. SPECIFICATIONS:

IMPEDANCE: 50 OHMS  
 FREQUENCY RANGE: 0-12.4 GHz  
 VSWR: 1.15-.01 F MAX (F IN GHz)  
 WORKING VOLTAGE: 335 VRMS MAX AT SEA LEVEL  
 DIELECTRIC WITHSTANDING VOLTAGE: 1000 VRMS MIN AT SEA LEVEL  
 INSULATION RESISTANCE: 5000 MEGOHM MIN  
 CONTACT RESISTANCE:

CENTER CONTACT - INITIAL 3.0 MILLIOHM MAX, AFTER ENVIRONMENTAL 4.0 MILLIOHM MAX  
 OUTER CONDUCTOR - INITIAL 2.0 MILLIOHM MAX  
 AFTER ENVIRONMENTAL NOT APPLICABLE  
 BODY TO CABLE - 0.5 MILLIOHM MAX (GOLD PLATED)  
 5.0 MILLIOHM MAX (NICKEL PLATED)

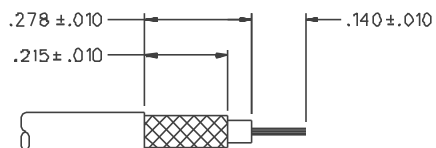
CORONA LEVEL: 250 VOLTS MIN AT 70,000 FEET  
 INSERTION LOSS: .06 / F MAX (F IN GHz) AT 6 GHz  
 RF LEAKAGE: -60 DB MIN AT 2.5 GHz  
 RF HIGH POTENTIAL WITHSTANDING VOLTAGE: 670 VRMS MIN AT 4 AND 7 MHz

MECHANICAL:

ENGAGE/DISENGAGE TORQUE: 2 INCH-POUNDS MAX  
 MATING TORQUE: 7-10 INCH POUNDS  
 COUPLING PROOF TORQUE: NOT APPLICABLE  
 COUPLING NUT RETENTION: NOT APPLICABLE  
 CONTACT RETENTION: 6 LBS MIN AXIAL FORCE  
 CABLE ACCEPTABILITY: RG 58/U, RG 141/U, RG 3D3/U  
 CABLE HEX CRIMP SIZE: .213  
 CONTACT CRIMP TOOL: P/N 144-DDDD-910 WITH POSITIONER 141-000D-907  
 CABLE RETENTION: 40 LBS MIN AXIAL FORCE  
 DURABILITY: 500 CYCLES MIN

ENVIRONMENTAL:

(MEETS OR EXCEEDS THE APPLICABLE PARAGRAPH OF MIL-C-39012)  
 THERMAL SHOCK: MIL-STD-202, METHOD 107, CONDITION B, EXCEPT B5° C HIGH TEMP  
 OPERATING TEMPERATURE: -65° C TO 165° C  
 CORROSION: MIL-STD-202, METHOD 101, CONDITION B  
 SHOCK: MIL-STD-202, METHOD 213, CONDITION I  
 VIBRATION: MIL-STD-202, METHOD 204, CONDITION D  
 MOISTURE RESISTANCE: MIL-STD-202, METHOD 106



CABLE STRIP DIMENSIONS

4:1

|   |         |                 |                      |
|---|---------|-----------------|----------------------|
| DRAWING NO.                               |         |                 |                      |
| C - 142-0307-011/020                      |         |                 |                      |
| 0 REVISIONS                               |         |                 |                      |
| ENGINEERING RELEASE                       |         |                 |                      |
| 1   | 8-27-92 | R T H A B B B B | 9-1-92<br>ECO 41215  |
| VERSION UPDATE                            |         |                 |                      |
| 1a  | 4-19-95 | R T H A B B B B | 4-26-95<br>ECN 43197 |
| VERSION UPDATE                            |         |                 |                      |
| 1b  | 5-22-00 | R T H A B B B B | 8-2-DD<br>ECN 47107  |
| ADDED: CRIMP TOOL PART NUMBERS            |         |                 |                      |
| * REVISION NUMBER FOLLOWED BY AN ALPHA *  |         |                 |                      |
| * CHARACTER INDICATES DRAWING CHANGE *    |         |                 |                      |
| * CAUTION ON PART NUMBER ADDITION ONLY. * |         |                 |                      |
| 1c  | 12-7-DD | R T H A B B B B | ECN 47436            |

CUSTOMER DRAWING

THIS DRAWING TO BE INTERPRETED PER ANSIZ 14.5M - 1982

"μSTATION"

COMPANY CONFIDENTIAL

|                                      |    |                    |                 |   |
|--------------------------------------|----|--------------------|-----------------|---|
| TOLERANCE UNLESS OTHERWISE SPECIFIED |    | DRAWN BY<br>TAK    | DATE<br>5-14-92 | <br>Cinch Connectivity Solutions<br>299 Johnson Ave. Ste. 100<br>Waukegan, IL 60093<br>1-800-247-8256 |
| DECIMALS<br>.XX                      | mm | CHECKED BY         | DATE            |   |
| .XXX REF                             |    | APPROVED BY<br>TAK | DATE<br>8-18-92 | TITLE<br>JACK ASSEMBLY<br>STRAIGHT CABLED<br>SMA, RG 58   |
| MATL                                 |    | APPROVED BY<br>RJB | DATE<br>8-18-92 | CODE NO.  |
| FINISH                               |    | RELEASE DATE       | 9-1-92          | DRAWING NO.<br>C - 142-0307-011/020   |
|                                      |    |                    |                 | SCALE 10:1   U/M INCH   SHEET 2 OF 2  |