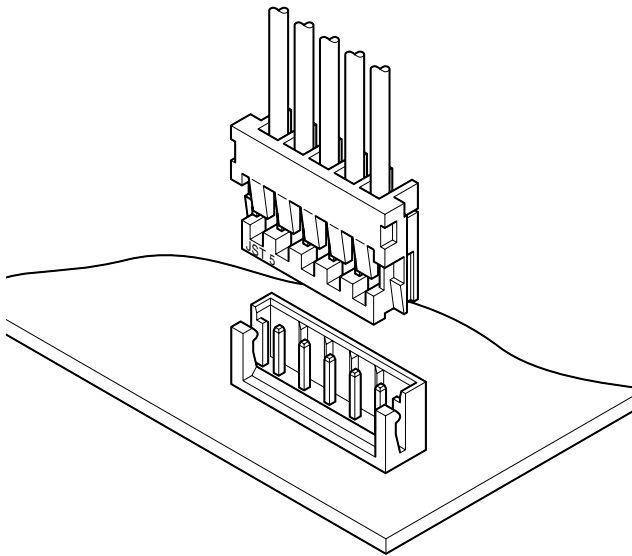


HR CONNECTOR

2.5mm pitch/Disconnectable Crimp style connectors



- **Thin design**
- **High reliability**
- **Interchangeability**

Specifications

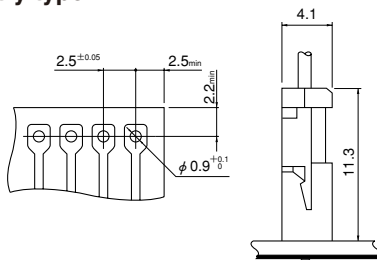
- Current rating: 3A AC, DC (AWG #22)
- Voltage rating: 250V AC, DC
- Temperature range: -25°C to +85°C
(including temperature rise in applying electrical current)
- Contact resistance: Initial value/10m Ω max.
After environmental testing/20m Ω max.
- Insulation resistance: 1,000M Ω min.
- Withstanding voltage: 1,000V AC/minute
- Applicable wire: AWG #26 to #22
- Applicable PC board thickness: 0.8 to 1.6mm
- * Compliant with RoHS.
- * Refer to "General Instruction and Notice when using Terminals and Connectors" at the end of this catalog.
- * Contact JST for details.

Standards

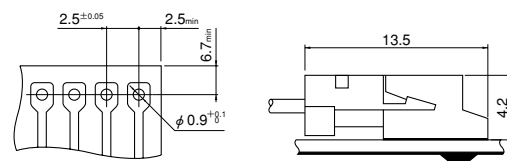
- Ⓜ Recognized E60389
- Ⓢ Certified LR20812

PC board layout (viewed from soldering side) and Assembly layout

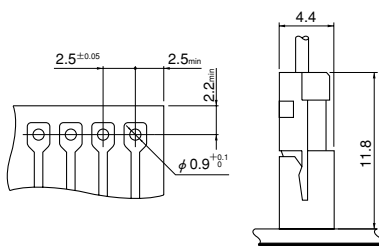
Top entry type



Side entry type



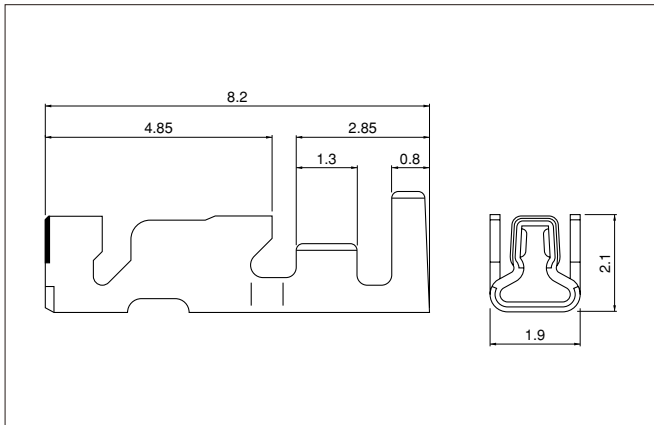
Top entry type on radial-tape



Note: 1. Tolerances are non-cumulative: ±0.05mm for all centers.

2. Hole dimension differ according to the kind of PC board and piercing method. If PC boards made of hard material are used, the hole dimensions should be larger. The dimensions above should serve as a guideline. Contact JST for details.

Contact



Model No.	Applicable wire		Insulation O.D. (mm)	Q'ty / reel
	mm ²	AWG #		
SHR-001T-P0.6	0.13~0.33	26~22	1.3~1.7	9,000

Material and Finish

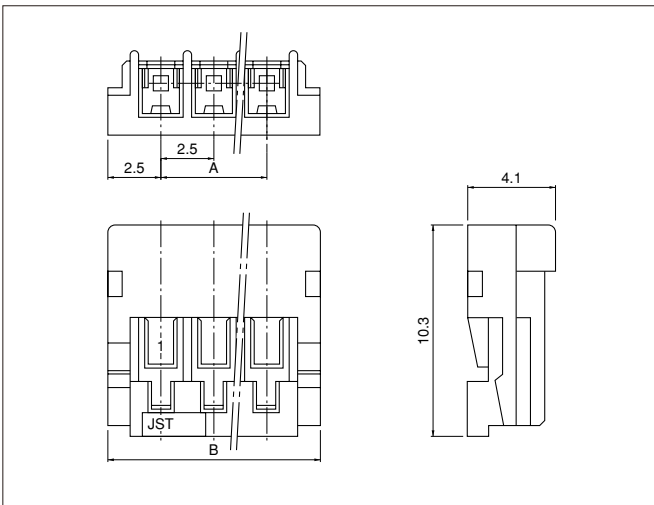
Phosphor bronze, tin-plated (reflow treatment)

RoHS compliance

Contact	Crimping machine	Applicator		
		Crimp applicator	Dies	Crimp applicator with dies
SHR-001T-P0.6	AP-K2N	MKS-L	MK/SHR/MR-001-06	APLMK SHR/MR001-06
		*MKS-SC	SC/SHR/MR-001-06	APLSC SHR/MR001-06

Note:*Strip-crimp applicator

Housing



Circuits	Model No.	Dimensions (mm)		Q'ty / bag
		A	B	
2	HRP-02-S	2.5	7.5	2,000
3	HRP-03-S	5.0	10.0	2,000
4	HRP-04-S	7.5	12.5	1,000
5	HRP-05-S	10.0	15.0	1,000
6	HRP-06-S	12.5	17.5	1,000
7	HRP-07-S	15.0	20.0	500
8	HRP-08-S	17.5	22.5	500
9	HRP-09-S	20.0	25.0	500
10	HRP-10-S	22.5	27.5	500
11	HRP-11-S	25.0	30.0	500
12	HRP-12-S	27.5	32.5	500
13	HRP-13-S	30.0	35.0	250

Material

PA 66, UL94V-0, natural (white)

RoHS compliance

<For reference> As the color identification, the following alphabet shall be put in the underlined part. For availability, delivery and minimum order quantity, contact JST.

ex. **HRP-02-S**

S...natural (white)

K...black R...red TR...tomato red E...blue

L...lemon yellow M...green N...brown O...orange P...purple

PK...pink LE...light blue Y...yellow FY...vivid yellow H...gray

Shrouded header

The shrouded headers are interchangeable with those of the EH crimp style and HR insulation displacement connectors.