

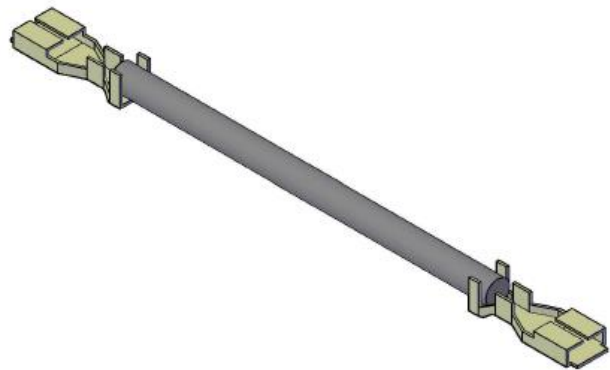
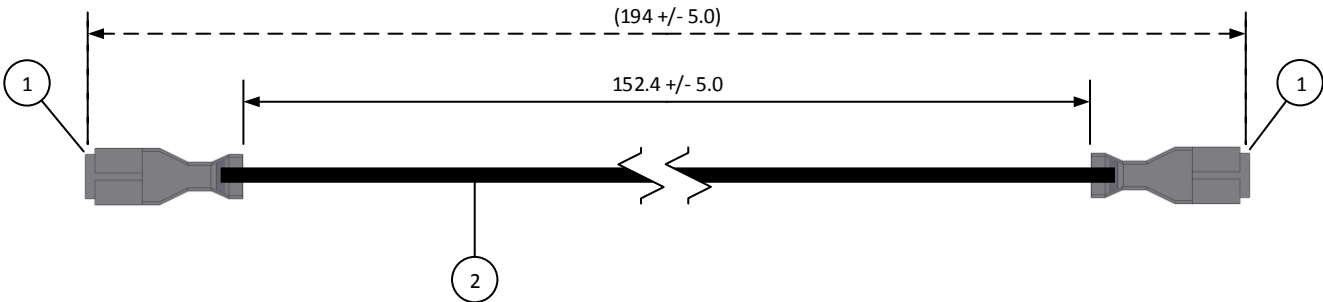
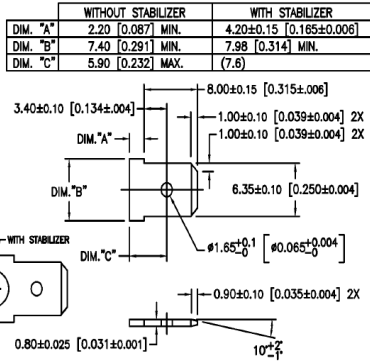
	4	3	2	1	
ITEM	CONNECTOR PART NO.	DESCRIPTION	IPI CHECK	EOR CHECK	Applicable Tooling
1	SRSF-61-250A	RSF CONTACT, BRASS			APPLICATOR
2	UL1015, 16 AWG	BLACK			

Applicable Housings

NO. OF CIRCUITS	KEYLESS HOUSING PART NO.
2	RSFP-2V-00
3	RSFP-3V-00
4	RSFP-4V-00
5	RSFP-5V-00
6	RSFP-6V-00
7	RSFP-7V-00
8	RSFP-8V-00
9	RSFP-9V-00
10	RSFP-10V-00
11	RSFP-11V-00
12	RSFP-12V-00

Other housings and configurations are available. Please contact JST for details.

SUGGESTED MATING TAB NO SCALE



SCALE	CUSTOMER NAME	CUSTOMER PART NO.
1: 1		
DIMENSIONS All dimensions are in MM with a tolerance of +/- 3.0 unless otherwise specified.	DESCRIPTION 6" LIF, POS LOCK, .250, DOUBLE-END LEADS, BRASS, F-F	
DRAWN BY STEVEN PILKINGTON	ASSEMBLY PART NO. ASRSFSRSF16K152A	
CHECKED BY JUSTIN BAKER	DRAWING NO. & REVISION GAM-128	REVISED 3/15/2016

REV.	DESCRIPTION	DATE	BY
------	-------------	------	----

4

3

2

1