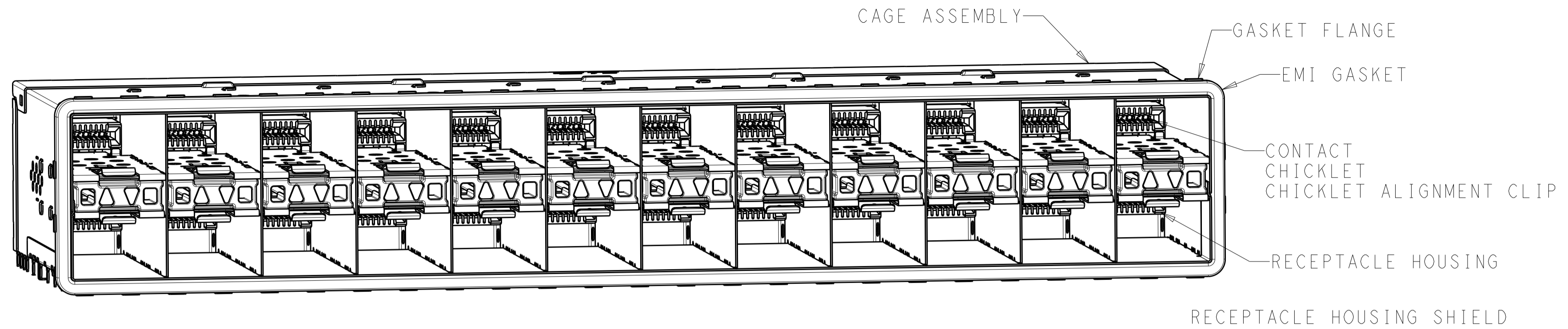
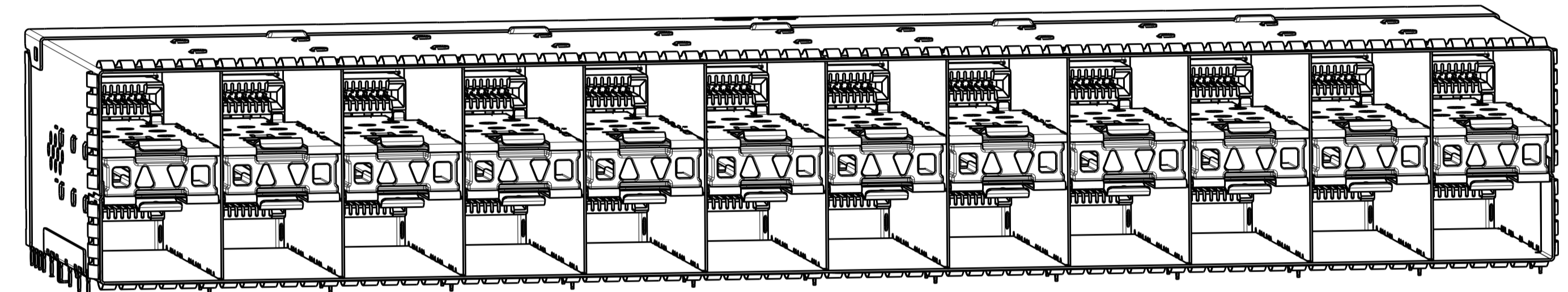


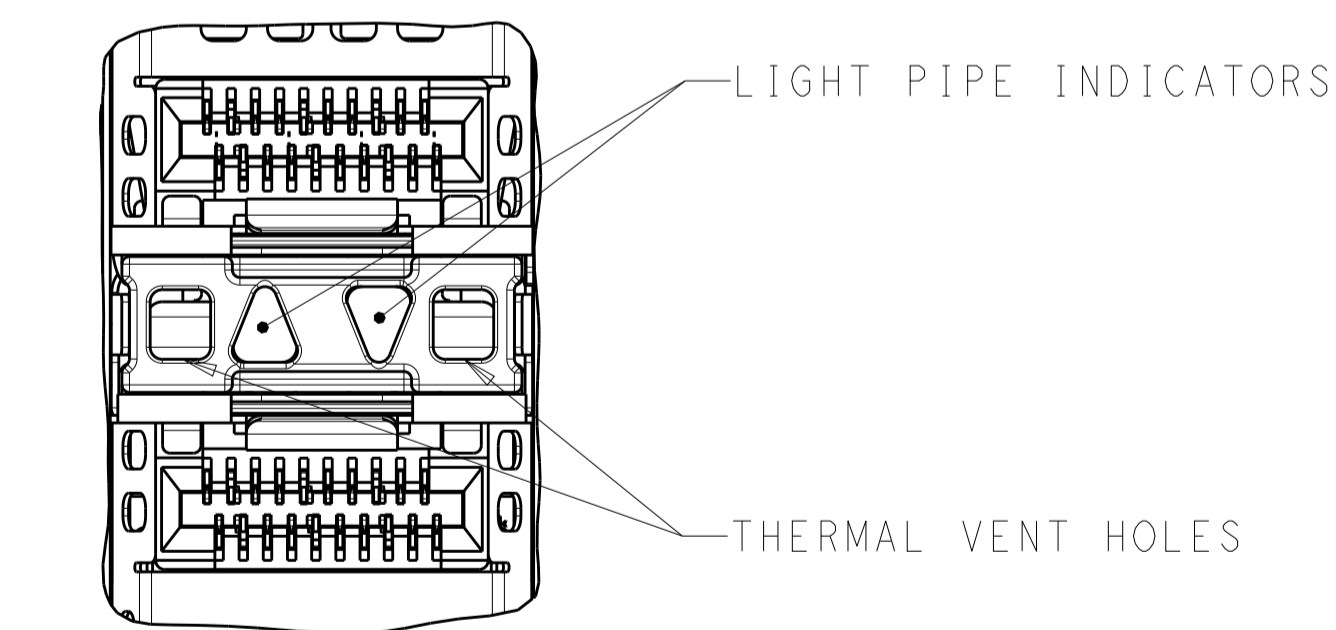
LOC	DIST	REVISIONS					
GP	00	P	LTN	DESCRIPTION	DATE	DWN	APVD
		4		REVISED	24OCT2014	CJV	PAR
		5		REVISED	03DEC2014	CJV	PAR
		6		REVISED	25SEP2015	PP	SH
		A		MASS PRODUCTION	20DEC2015	PP	SH



2227838-8



2227838-7



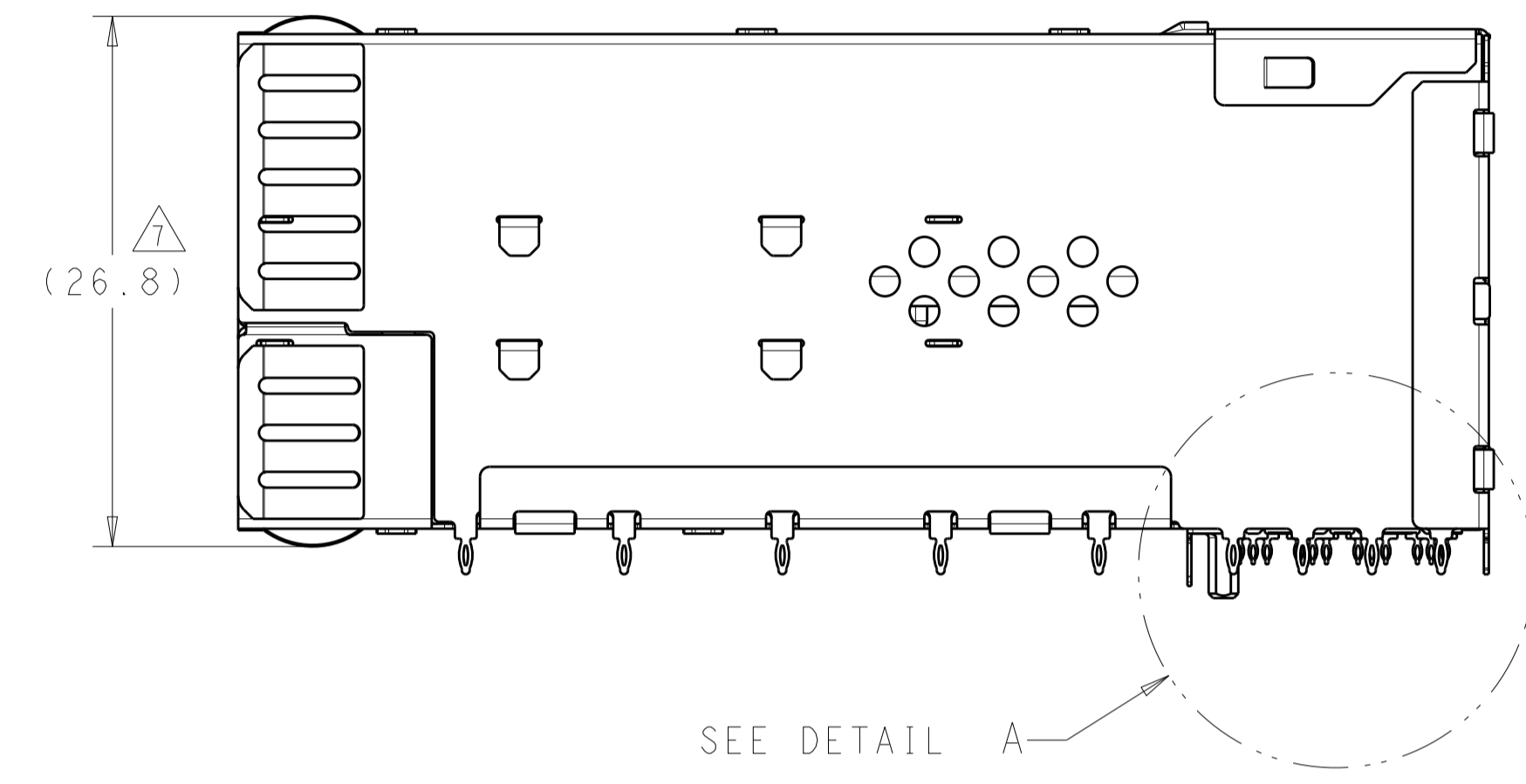
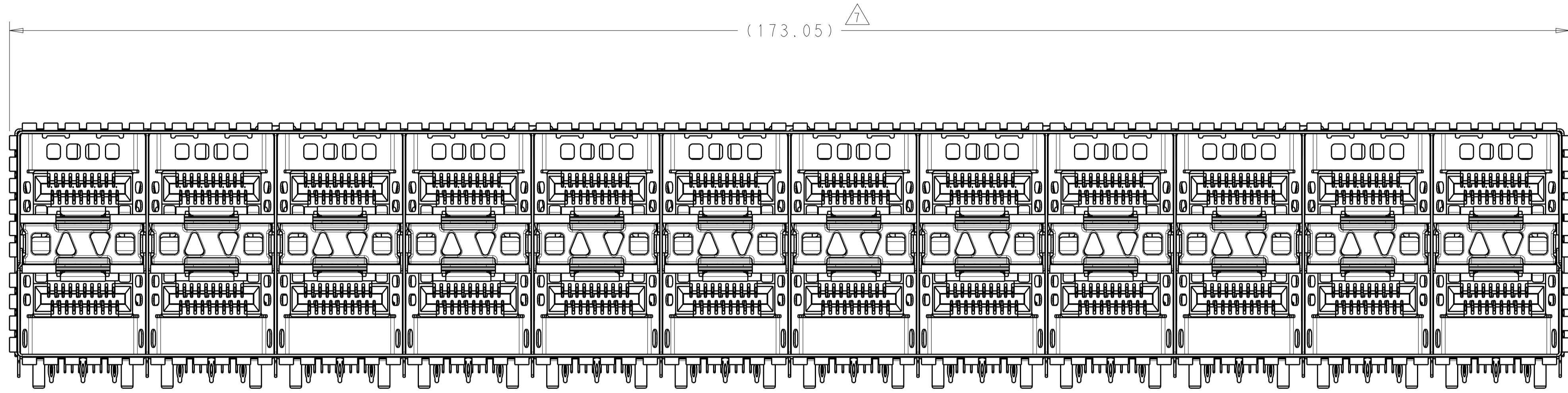
INNER LIGHT PIPE
 2227838-8, 2227838-7
 SCALE 4:1

- MATERIALS:**
 CAGE ASSEMBLY - NICKEL-SILVER ALLOY PER ASTM B 122
 RECEPTACLE HOUSING - LCP, BLACK, UL 94V-0 RATED
 RECEPTACLE HOUSING SHIELD - COPPER ALLOY
 CHICKLET - LCP, BLACK, UL 94V-0 RATED
 CHICKLET ALIGNMENT CLIP - PBT
 CONTACT - COPPER ALLOY
 EMI GASKET - ELASTOMERIC
 GASKET FLANGE - STAINLESS STEEL
 LIGHT PIPE - POLYCARBONATE
 LIGHT PIPE HOUSING - ZINC ALLOY
 EMI SPRINGS - PHOSPHOR BRONZE PER ASTM B103
- CONTACT FINISH:**
 CONFORMS TO THE REQUIREMENTS OF TYCO ELECTRONICS
 PRODUCT SPECIFICATION 108-2481, BASED ON EIA/ECA-364-1000.01A,
 (CONTROLLED ENVIRONMENT APPLICATIONS) ON MATING INTERFACE,
 TIN ON NEEDLE EYE
- PCB MINIMUM THICKNESS = 1.5mm**
- FOR HOLE SIZE AND PLATINGS,
 SEE APPLICATION SPECIFICATION 114-13319
- LIGHT PIPE PAD LAYOUT IS FOR 0805 LOW PROFILE
 LED PACKAGE WITH A HEIGHT OF 0.8mm
- THE ENTIRE AREA OF THE CONNECTOR FOOTPRINT, INDICATED BY THE
 DASHED LINE, TO BE CONSIDERED THE KEEPOUT AREA FOR COMPONENTS
 AND SIGNAL TRACES, TOP SIDE ONLY, TOP SIDE TRACES ALLOWED
 WITHIN CONNECTOR HOLE PATTERN
- DIMENSION APPLIES FROM EMI SPRINGS ONLY.

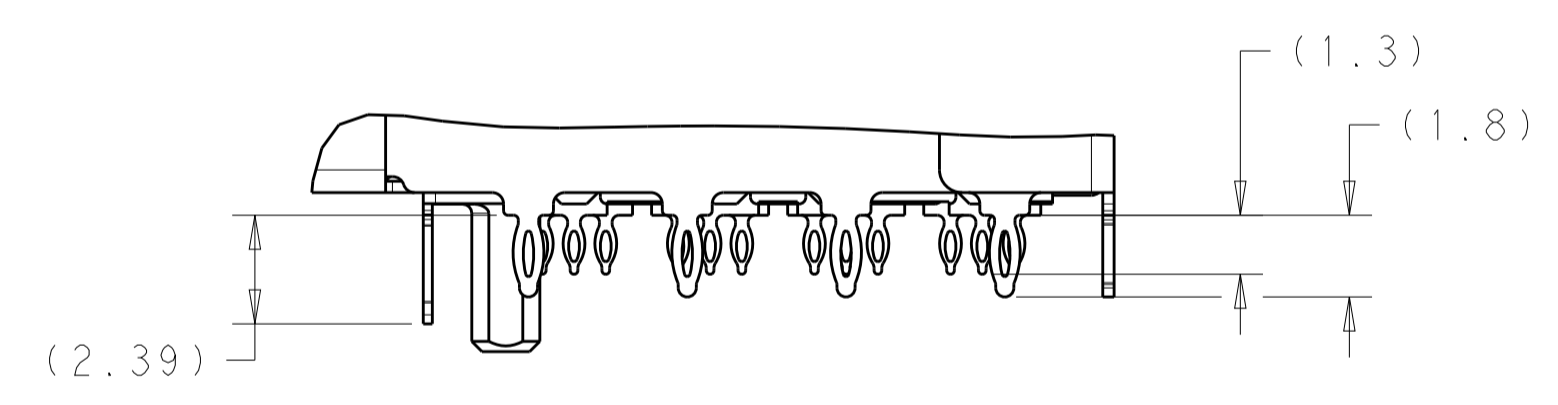
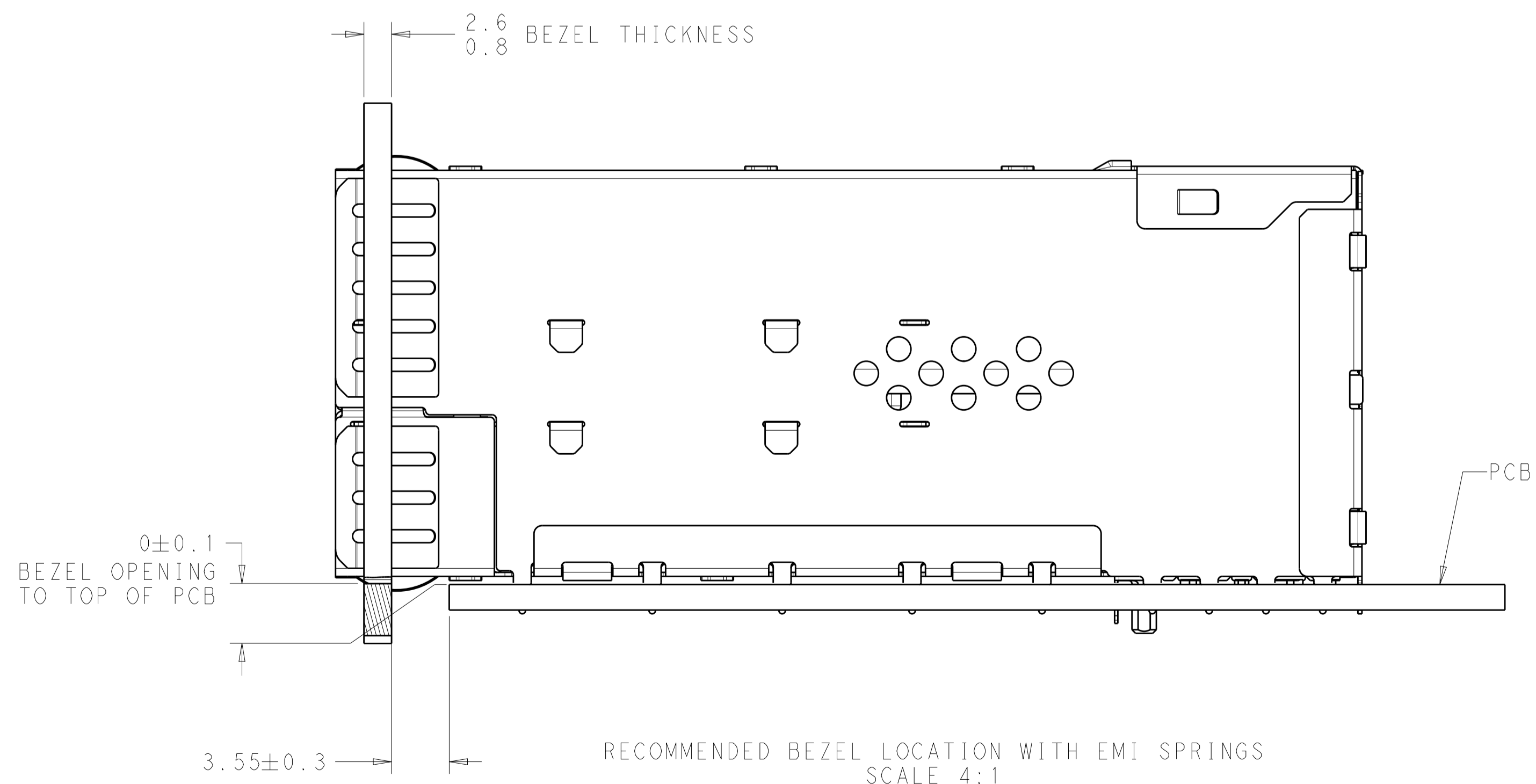
173.5	EMI SPRINGS	INNER	2227838-7
176.25	EMI GASKET	INNER	2227838-8
(E)	CAGE TYPE	LIGHT PIPE CONFIGURATION	PART NUMBER

THIS DRAWING IS A CONTROLLED DOCUMENT. DIMENSIONING AND TOLERANCING PER ASME Y14.5M-2009.		DWN M. SHIRK 26MAR2013	TE Connectivity	
DIMENSIONS: mm		CHK M. PHILLIPS 26MAR2013	NAME RECEPTACLE ASSEMBLY, 2X12, STACKED, zSFP+ THERMALLY ENHANCED	
TOLERANCES UNLESS OTHERWISE SPECIFIED: 0 PLC ±0.10 1 PLC ±0.10 2 PLC ±0.10 3 PLC ±0.10 4 PLC ±0.10 ANGLES ±°		APVD	PRODUCT SPEC 108-2481	RESTRICTED TO
MATERIAL		FINISH	APPLICATION SPEC 114-13319	SIZE A1
SEE NOTES		SEE NOTES	WEIGHT	CAGE CODE 00779
			CUSTOMER DRAWING	DRAWING NO C=2227838
			SCALE 2:1	SHEET 1 OF 5
				REV A

LOC	DIST	REVISIONS					
GP	00	P	LTN	DESCRIPTION	DATE	DWN	APVD
-	-	-	-	SEE SHEET 1	-	-	-



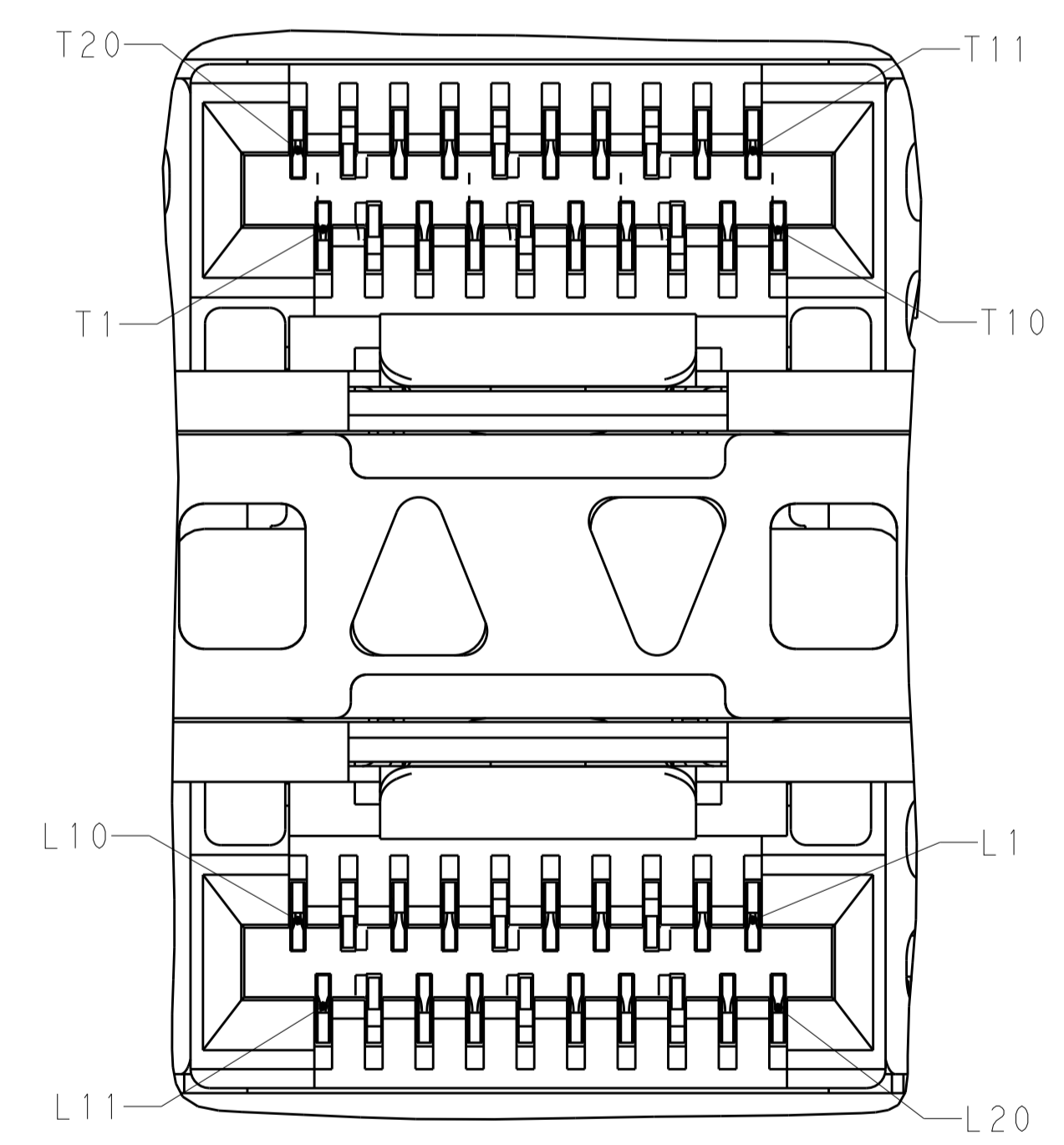
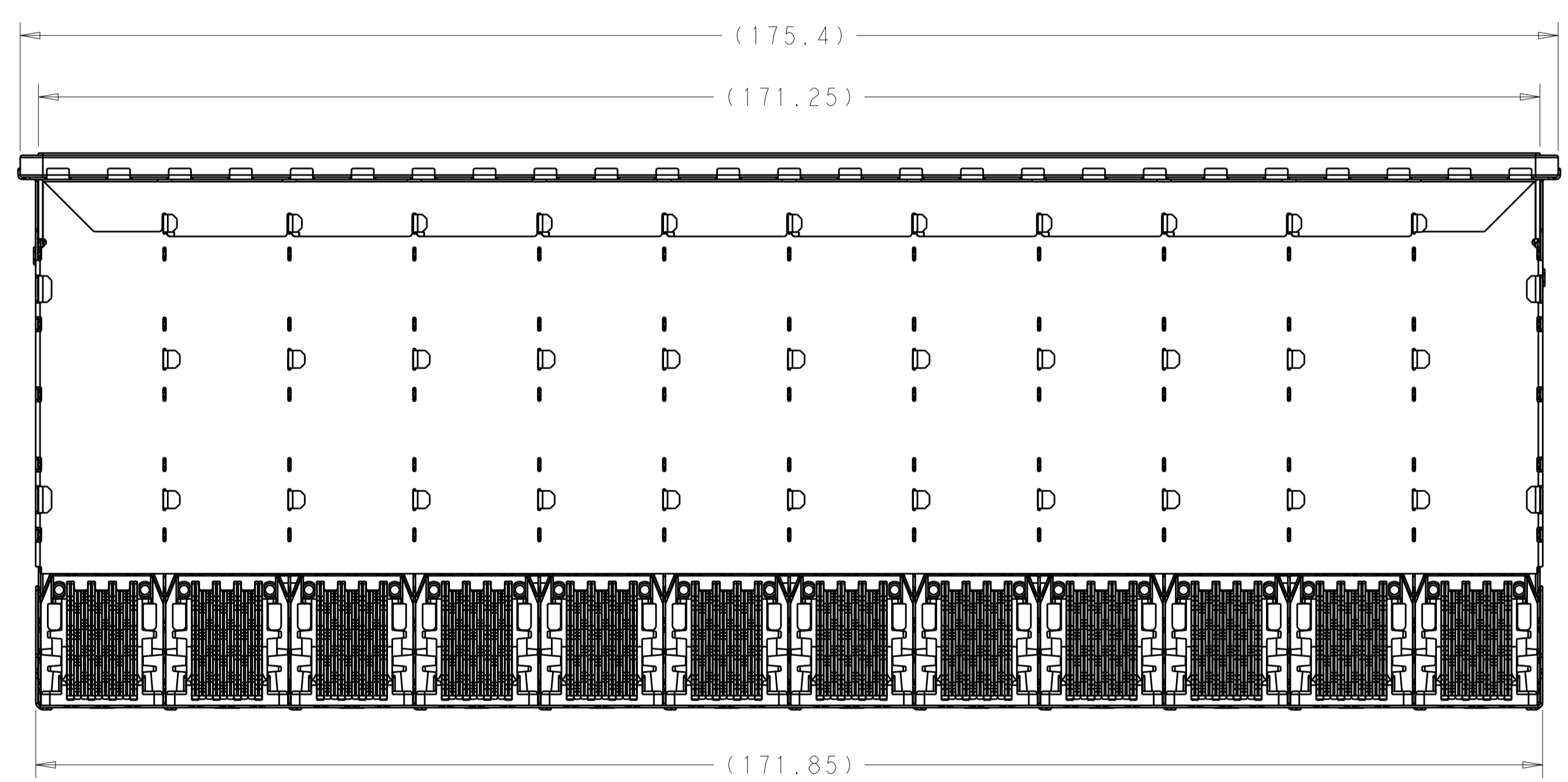
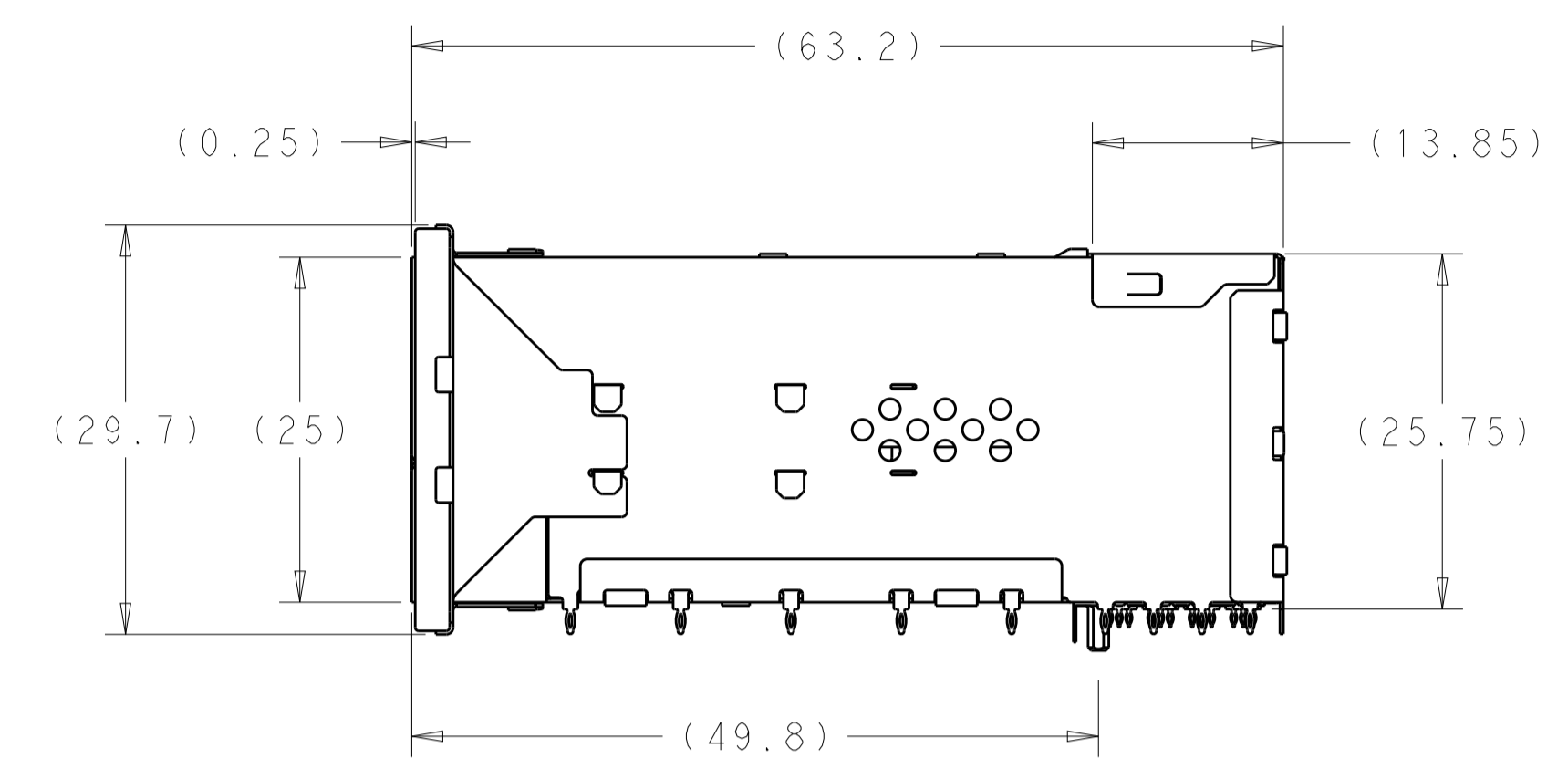
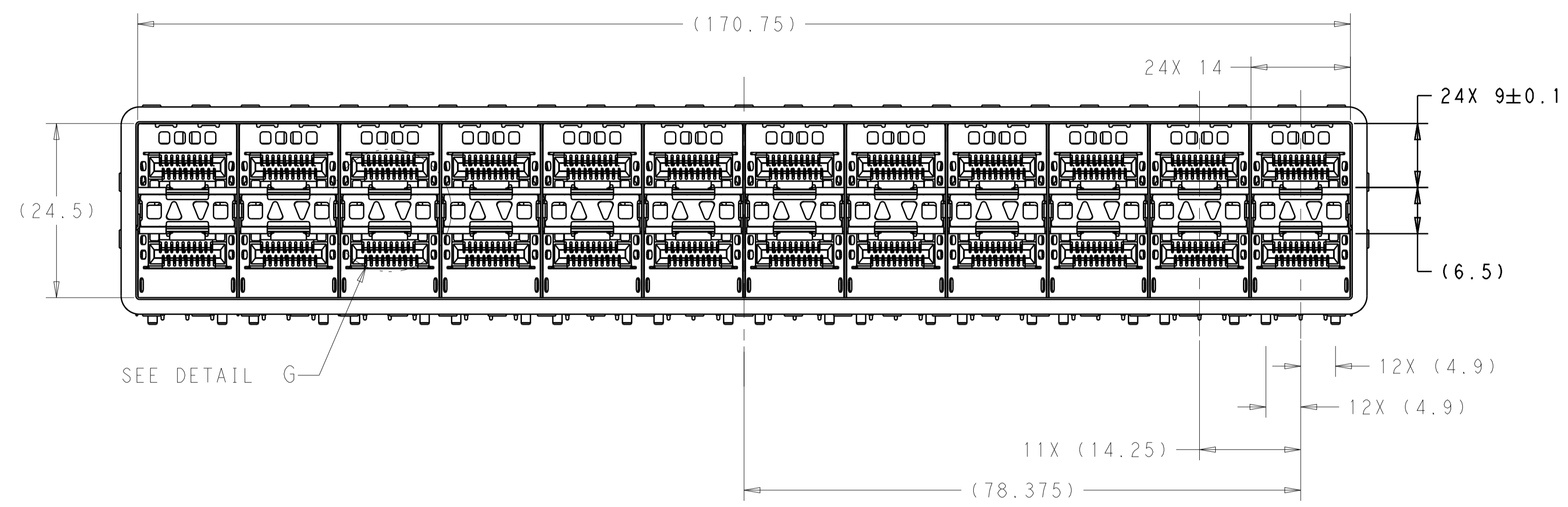
2227838-7
 EMI SPRINGS ONLY
 SCALE 3:1



DETAIL A
 SCALE 6:1

THIS DRAWING IS A CONTROLLED DOCUMENT.		DWN M. SHIRK 26MAR2013	TE Connectivity
DIMENSIONS: mm		CHK M. PHILLIPS 26MAR2013	
TOLERANCES UNLESS OTHERWISE SPECIFIED:		APVD	NAME
0 PLC	±0.10	RECEPTACLE ASSEMBLY, 2X12, STACKED, zSFP+ THERMALLY ENHANCED	
1 PLC	±0.10	PRODUCT SPEC	
2 PLC	±0.10	108-2431	
3 PLC	±0.10	APPLICATION SPEC	
4 PLC	±	SIZE CAGE CODE DRAWING NO RESTRICTED TO	
ANGLES	±	A100779C=2227838	
MATERIAL	FINISH	WEIGHT	SCALE 2:1 SHEET 2 OF 5 REV A
SEE NOTES	SEE NOTES	CUSTOMER DRAWING	

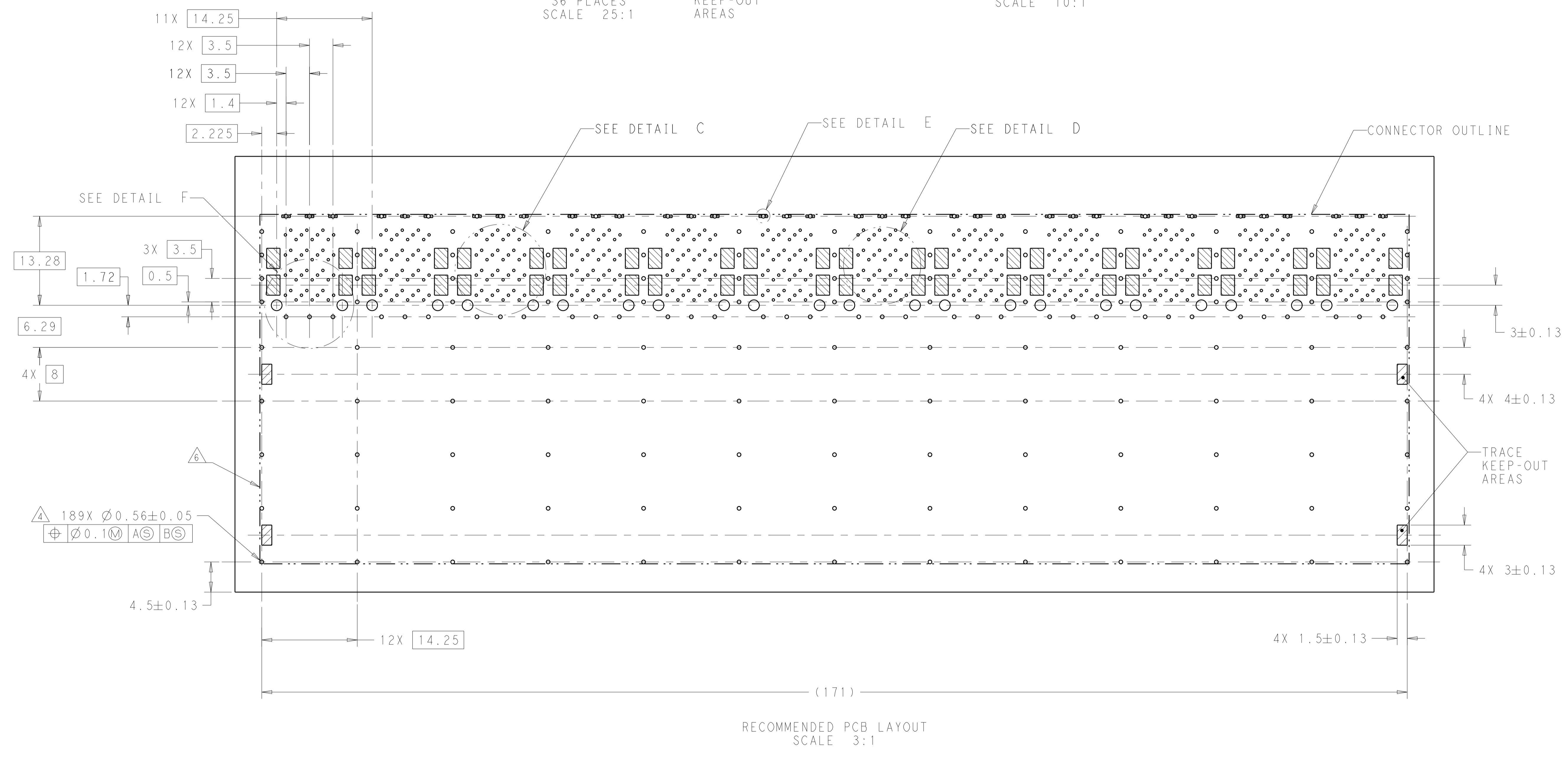
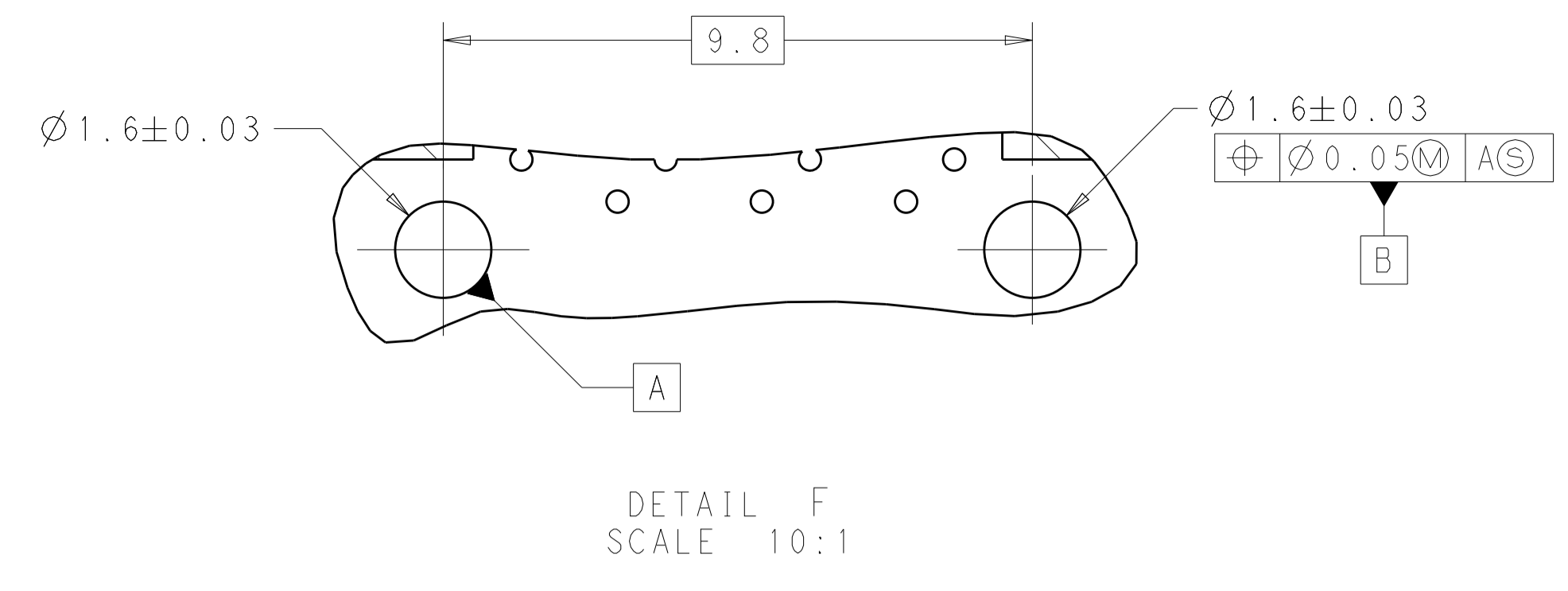
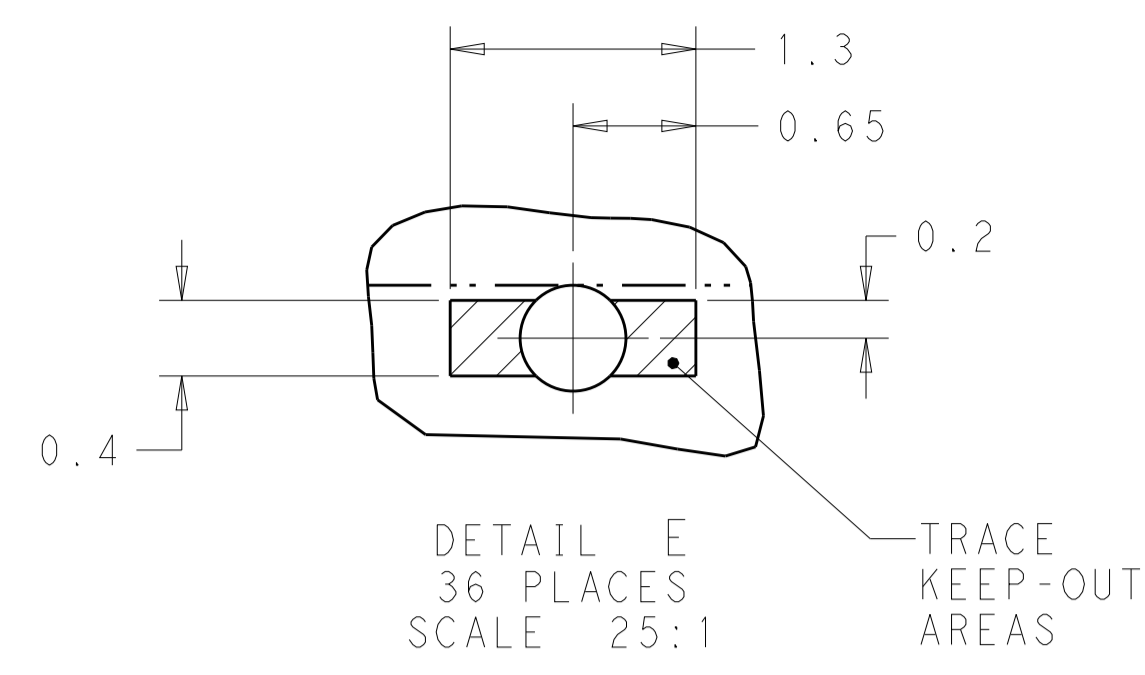
LOC		DIST		REVISIONS			
GP	00	P	LTN	DESCRIPTION	DATE	DMN	APVD
		-		SEE SHEET 1			



DETAIL G
 12X INDIVIDUALLY
 SCALE 10:1

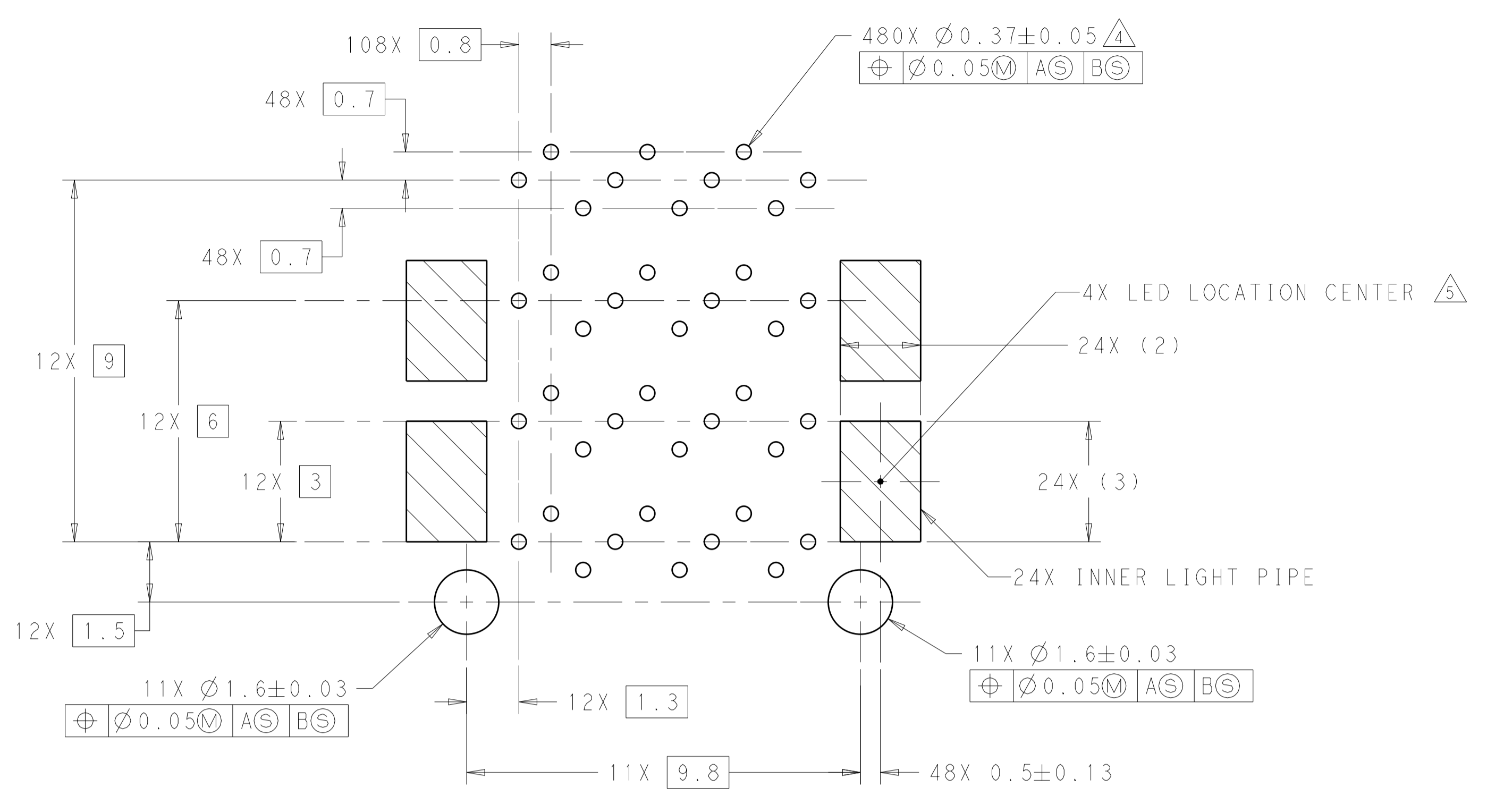
THIS DRAWING IS A CONTROLLED DOCUMENT. DIMENSIONING AND TOLERANCING PER ASME Y14.5M-2009.		DMN: M. SHIRK 26MAR2013 CHK: M. PHILLIPS 26MAR2013	TE Connectivity RECEPTACLE ASSEMBLY, 2X12, STACKED, zSFP+ THERMALLY ENHANCED
DIMENSIONS: mm	TOLERANCES UNLESS OTHERWISE SPECIFIED: 0 PLC ±0.10 1 PLC ±0.10 2 PLC ±0.10 3 PLC ±0.10 4 PLC ±0.10 ANGLES ±°	APVD: - PRODUCT SPEC: 108-2431 APPLICATION SPEC: 114-13319	
MATERIAL: SEE NOTES	FINISH: SEE NOTES	WEIGHT: - CUSTOMER DRAWING	SIZE: A1 CAGE CODE: 100779 DRAWING NO: C=2227838 RESTRICTED TO: - SCALE: 2:1 SHEET 3 OF 5 REV A

LOC	DIST	REVISIONS					
GP	00	P	LTN	DESCRIPTION	DATE	OWN	APVD
		-	-	SEE SHEET 1	-	-	-

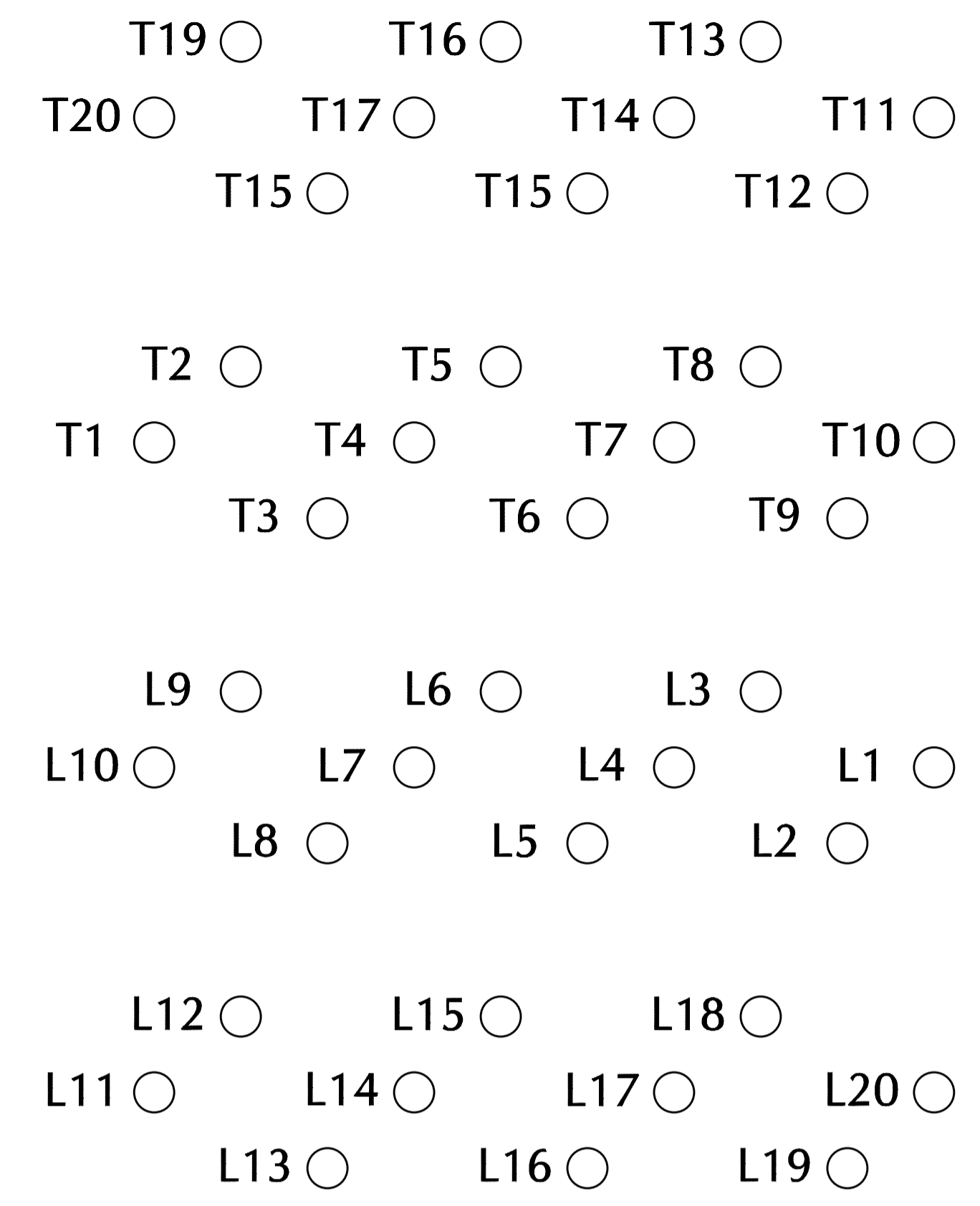


THIS DRAWING IS A CONTROLLED DOCUMENT. DIMENSIONING AND TOLERANCING PER ASME Y14.5M-2009.		OWN: M. SHIRK CHK: M. PHILLIPS DATE: 26MAR2013	APVD: M. PHILLIPS	TE Connectivity	
DIMENSIONS: mm		TOLERANCES UNLESS OTHERWISE SPECIFIED: 0 PLC ±0.10 1 PLC ±0.10 2 PLC ±0.10 3 PLC ±0.10 4 PLC ±0.10 ANGLES ±°		PRODUCT SPEC: 108-2431 APPLICATION SPEC: 114-13319 WEIGHT: - CUSTOMER DRAWING	
MATERIAL: SEE NOTES		FINISH: SEE NOTES		NAME: RECEPTACLE ASSEMBLY, 2X12, STACKED, zSFP+ THERMALLY ENHANCED SIZE: A1 CAGE CODE: 100779 DRAWING NO: C=2227838 SCALE: 2:1 SHEET 4 OF 5 REV A	

LOC	DIST	REVISIONS					
GP	00	P	LTN	DESCRIPTION	DATE	DWN	APVD
		-		SEE SHEET 1			

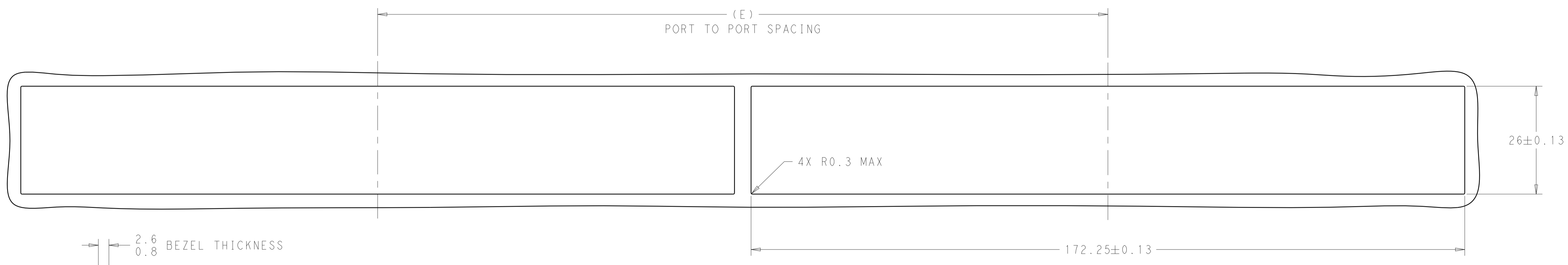


DETAIL C
 RECOMMENDED PIN AND LIGHT PIPE LAYOUT
 SCALE 10:1

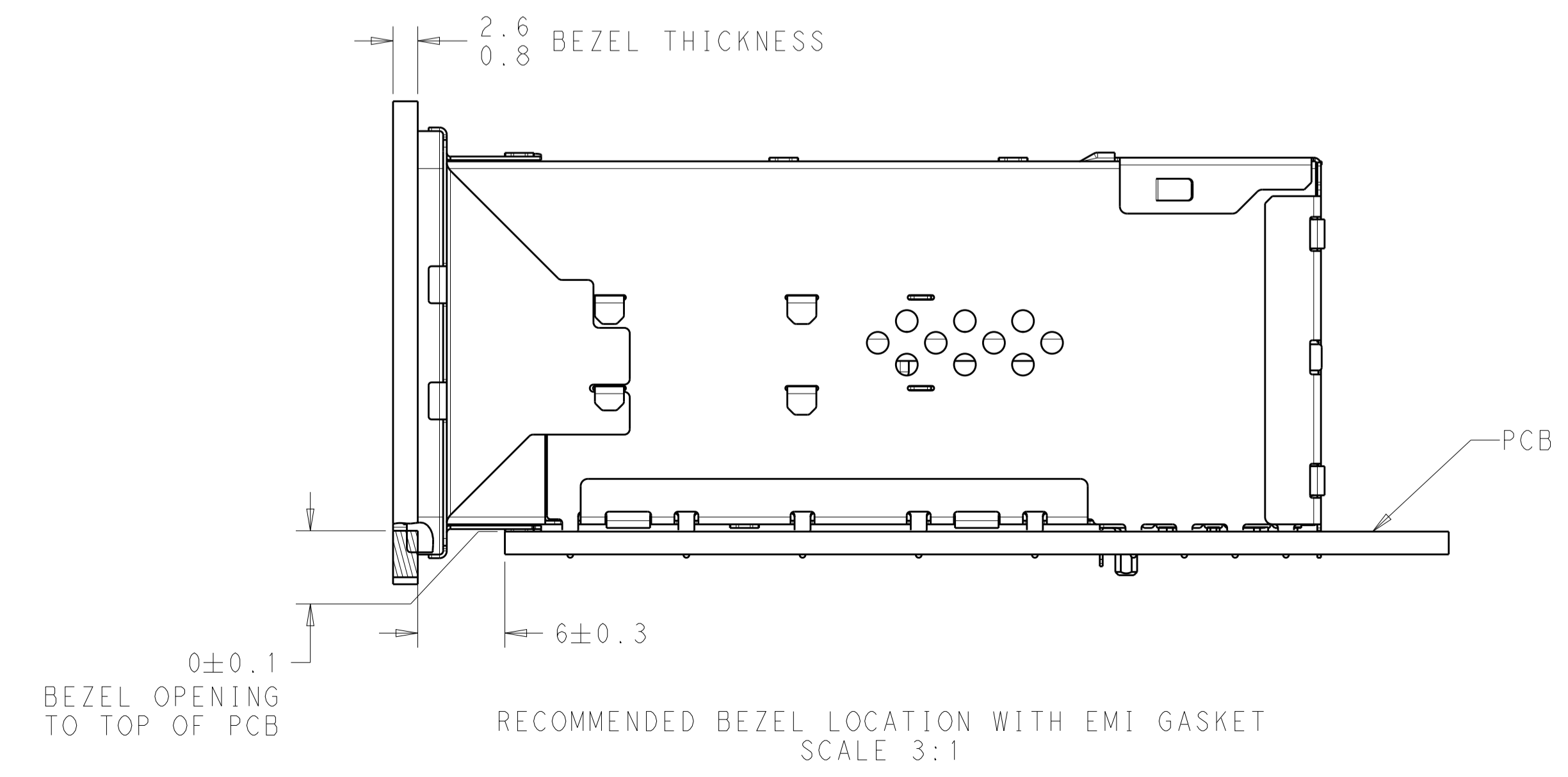


PIN MAP LEGEND	
PIN NUMBER	FUNCTION
L1/T1	VEET
L2/T2	TX-FAULT
L3/T3	TX-DISABLE
L4/T4	SDA
L5/T5	SCL
L6/T6	MOD_ABS
L7/T7	RS0
L8/T8	RX_LOS
L9/T9	RS1
L10/T10	VEER
L11/T11	VEER
L12/T12	RD-
L13/T13	RD+
L14/T14	VEER
L15/T15	VCCR
L16/T16	VCCT
L17/T17	VEET
L18/T18	TD+
L19/T19	TD-
L20/T20	VEET

DETAIL D
 PIN MAP
 12 PLACES
 SCALE 20:1



RECOMMENDED BEZEL CUT OUT DETAIL



RECOMMENDED BEZEL LOCATION WITH EMI GASKET
 SCALE 3:1

THIS DRAWING IS A CONTROLLED DOCUMENT. DIMENSIONING AND TOLERANCING PER ASME Y14.5M-2009		DWN: M. SHIRK 26MAR2013 CHK: M. PHILLIPS 26MAR2013	TE Connectivity
DIMENSIONS: mm		APVD: -	
TOLERANCES UNLESS OTHERWISE SPECIFIED:		PRODUCT SPEC: 108-2431	NAME: RECEPTACLE ASSEMBLY, 2X12, STACKED, zSFP+ THERMALLY ENHANCED SIZE: A1 CAGE CODE: 114-13319 DRAWING NO: 00779 CUSTOMER DRAWING: C=2227838
MATERIAL: SEE NOTES		APPLICATION SPEC: 114-13319	
FINISH: SEE NOTES		WEIGHT: -	RESTRICTED TO: -
SCALE: 2:1		SHEET: 5 OF 5	REV: A