

## Distributor - SAC-ASI-J-Y-B-PUR-2,0-OE - 1407581


Please be informed that the data shown in this PDF Document is generated from our Online Catalog. Please find the complete data in the user's documentation. Our General Terms of Use for Downloads are valid (<http://phoenixcontact.com/download>)



AS-Interface distributor with a high degree of protection, for a branch from two flat-ribbon conductors to a 2.0 m PUR round cable with free cable end



### Key Commercial Data

Packing unit	1 STK
GTIN	 4 046356 780018
GTIN	4046356780018

### Technical data

#### Mechanical characteristics

Number of positions	4
Connection method	AS-i penetration technique
Length of cable	2 m
Color	black
Tightening torque, min.	1.65 Nm
Degree of protection	IP65/IP67

#### Ambient conditions

Ambient temperature (operation)	-25 °C ... 75 °C
	-25 °C ... 80 °C (cable, flexible installation)
	-40 °C ... 80 °C (cable, fixed installation)
Ambient temperature (storage/transport)	-25 °C ... 85 °C
Degree of protection	IP65
	IP67

#### Material data

Housing material	PBT
Contact material	CuSn
Contact surface material	Au

# Distributor - SAC-ASI-J-Y-B-PUR-2,0-OE - 1407581

## Technical data

### Electrical characteristics

Rated voltage (III/3)	≤ 32 V
Rated current	≤ 4 A

### Pin assignment

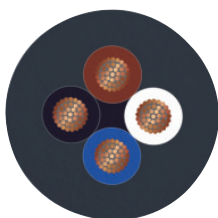
Position = wire color (signal) = position (optional)	3.1 (AS-i distributors)   BN   AS-i+
	3.2 (AS-i distributors)   BU   AS-i-
	4.1 (AS-i distributors)   BK   AUX+
	4.2 (AS-i distributors)   WH   AUX-

### Line characteristics

Cable type	PUR halogen-free black
Cable abbreviation	LIF9Y11YFHF
UL AWM style	20549 / 10493
Conductor cross section	4x 0.34 mm <sup>2</sup> (Signal line)
AWG signal line	22
Conductor structure signal line	42x 0.10 mm
Core diameter including insulation	1.25 mm ±0.05 mm
External cable diameter	4.3 mm ±0.2 mm
Wire colors	brown, white, blue, black
External sheath, color	black
Transmission medium	Copper
Overall twist	4 wires, twisted
Outer sheath, material	PUR
Material conductor insulation	PP
Conductor material	Bare Cu litz wires
Ambient temperature (operation)	-40 °C ... 80 °C (fixed routing)
	-25 °C ... 80 °C (Flexibly installed)

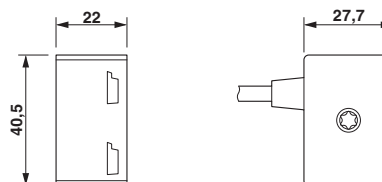
## Drawings

Cable cross section



PUR halogen-free black [PUR]

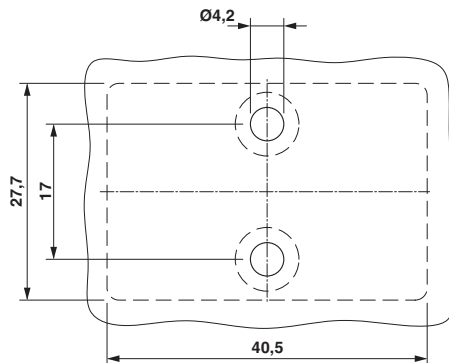
Dimensional drawing



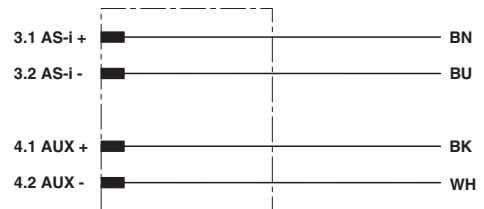
Distributor, AS-Interface

## Distributor - SAC-ASI-J-Y-B-PUR-2,0-OE - 1407581

Dimensional drawing



Circuit diagram



Contact assignment of the AS-Interface distributor

Distance and position of the mounting holes

Phoenix Contact 2017 © - all rights reserved  
<http://www.phoenixcontact.com>

PHOENIX CONTACT GmbH & Co. KG  
Flachsmarktstr. 8  
32825 Blomberg  
Germany  
Tel. +49 5235 300  
Fax +49 5235 3 41200  
<http://www.phoenixcontact.com>