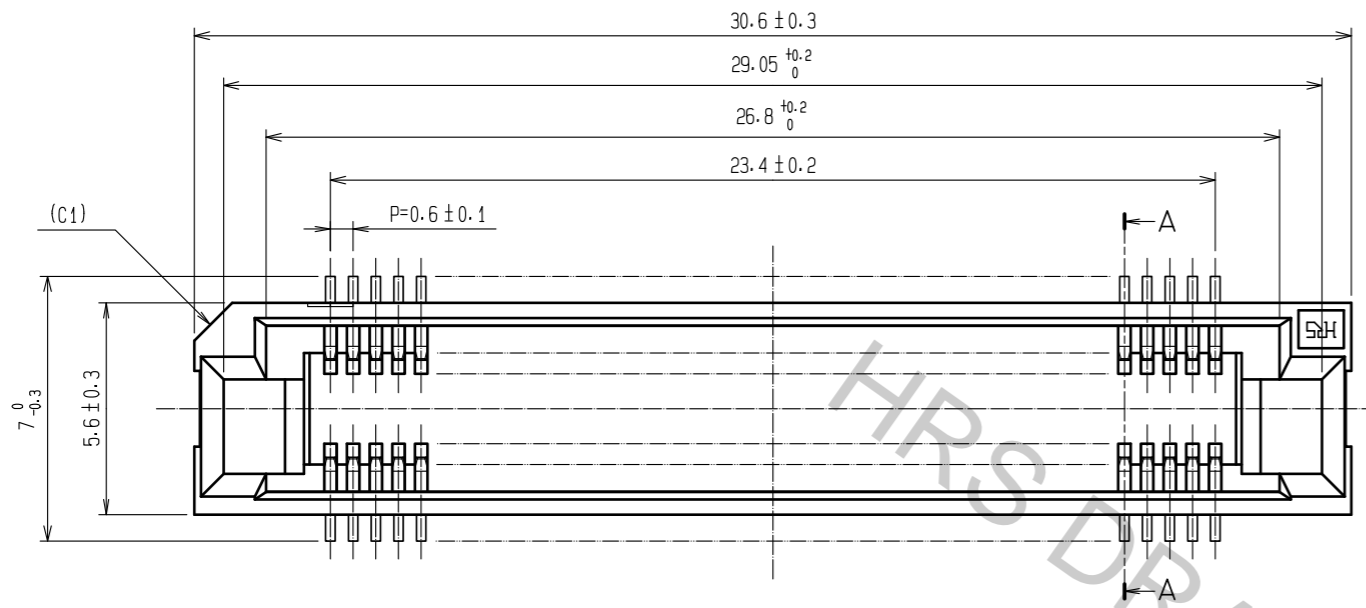
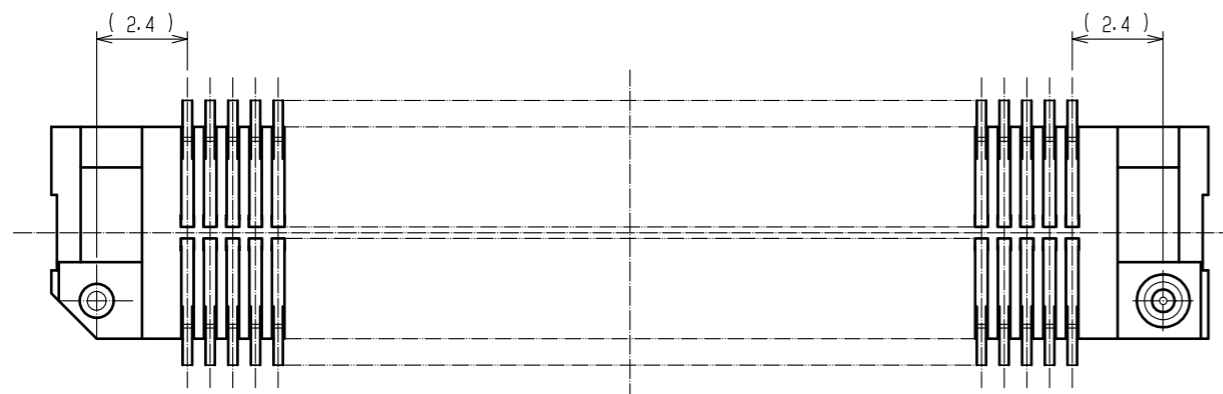
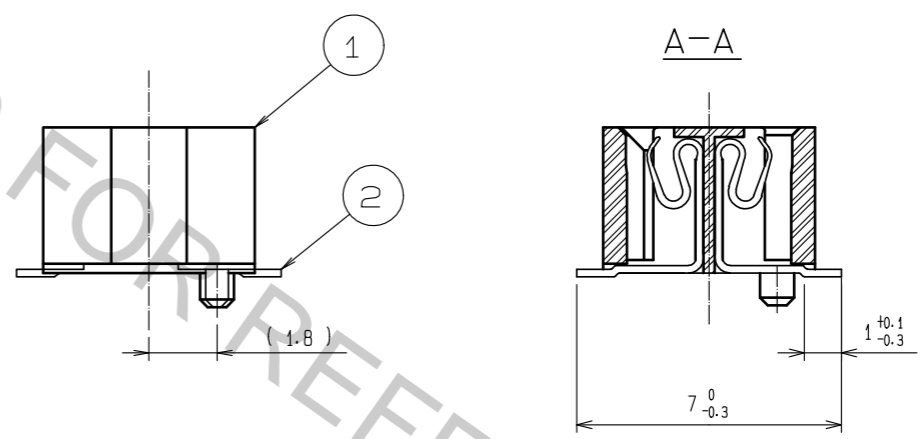
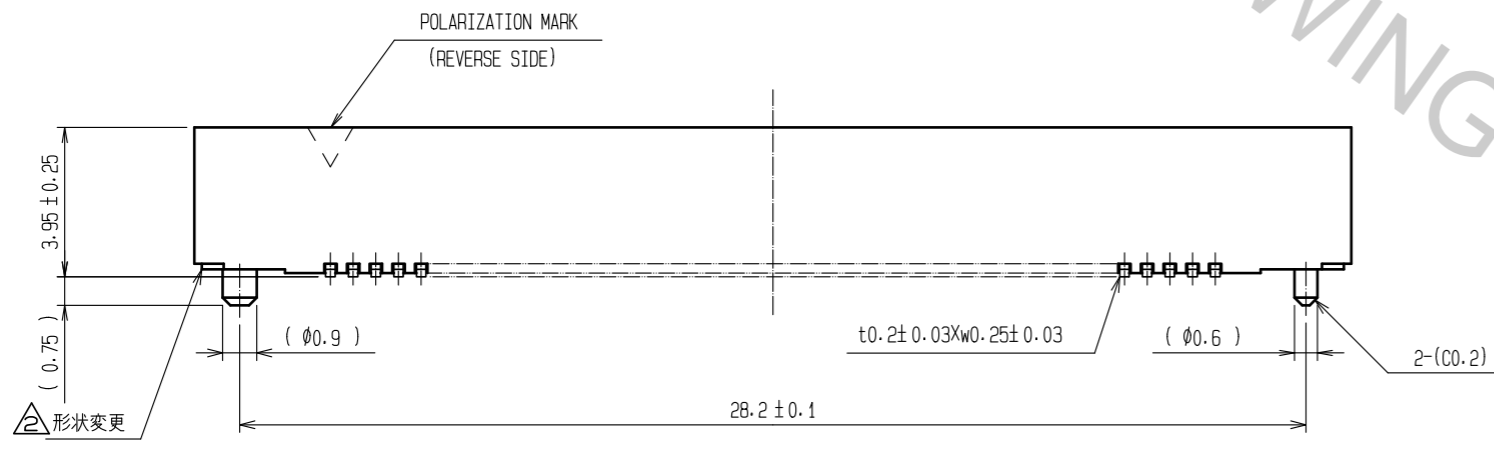
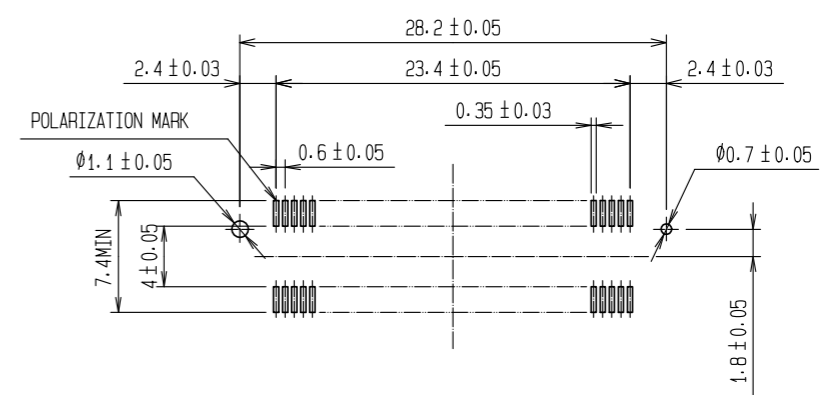


Aug.1.2018 Copyright 2018 HIROSE ELECTRIC CO., LTD. All Rights Reserved.
 In case that the application demands a high level of reliability, such as automotive,
 please contact a company representative for further information.



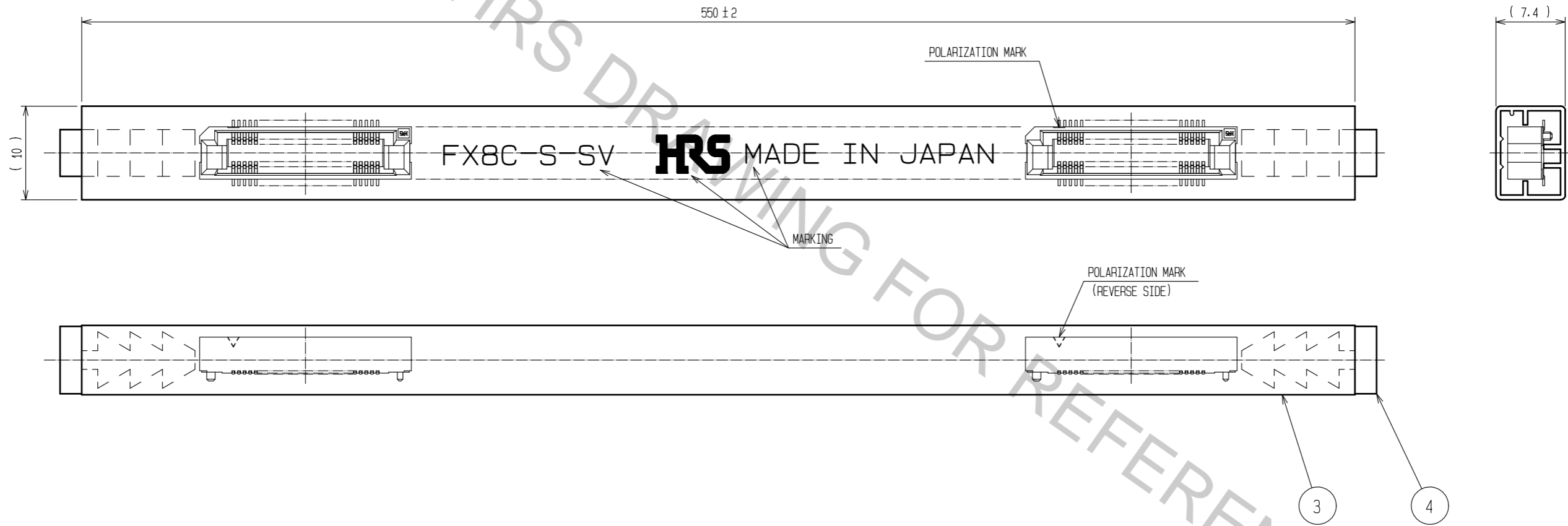
RECOMMENDED LAND PATTERN DIMENSION OF PCB (MOUNTING SIDE) (2:1)



- NOTE 1. LEAD CO-PLANARITY SHALL BE 0.1mm MAX.
 2. TUBE PACKAGING SHALL BE APPLIED FOR THIS PRODUCT.
 SEE NEXT PAGE FOR DETAILS.
 3. FOR MODIFICATION, ETC., PREVENTIVE HOLE FOR SINK MARK MAY BE ADDED ACCORDING TO CIRCUMSTANCES.
 4. THE DIMENSIONS IN PARENTHESES ARE FOR REFERENCE.

2	PHOSPHOR BRONZE	CONTACT AREA:GOLD 0.1µm min.						
		LEAD AREA:GOLD FLASH						
		UNDER PLATING:NICKEL 1.5µm min.						
1	POLYPHENYLENE SULFIDE	LIGHT BROWN (UL94V-0)	4	ELASTOMERS	STOPPER			
			3	POLYVINYL CHLORIDE	TUBE			
NO.	MATERIAL	FINISH . REMARKS	NO.	MATERIAL	FINISH . REMARKS			
UNITS mm		SCALE 5 : 1		COUNT	DESCRIPTION OF REVISIONS	DESIGNED	CHECKED	DATE
HRS HIROSE ELECTRIC CO., LTD.		APPROVED : NH. NAKATA	18.02.28	DRAWING NO. EDC-150882-68-00				
		CHECKED : HT. YAMAGUCHI	18.02.28	PART NO. FX8C-80S-SV(68)				
		DESIGNED : TY. EDAGAWA	18.02.28	CODE NO. CL578-0803-8-68				
		DRAWN : MK. INOUE	18.02.23					

DRAWING FOR PACKING(FREE)



NOTE 1. 1 TUBE : 17 CONNECTORS.
 2. THE DIMENSIONS IN PARENTHESES ARE FOR REFERENCE.

HRS	DRAWING NO.	EDC-150882-68-00
	PART NO.	FX8C-80S-SV(68)
	CODE NO.	CL578-0803-8-68
		2/2

Aug.1.2018 Copyright 2018 HIROSE ELECTRIC CO., LTD. All Rights Reserved.
 In case that the application demands a high level of reliability, such as automotive,
 please contact a company representative for further information.