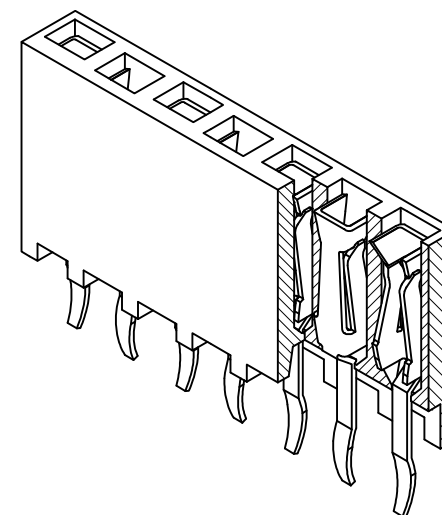
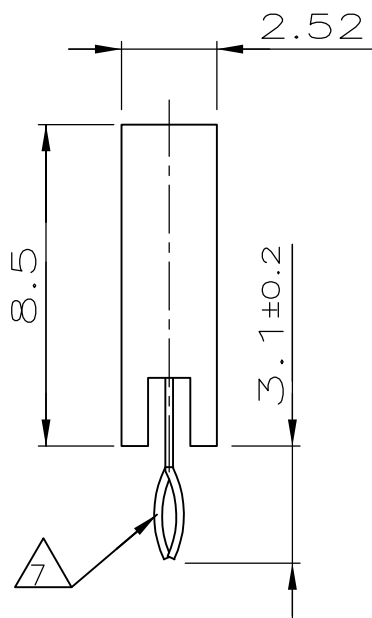
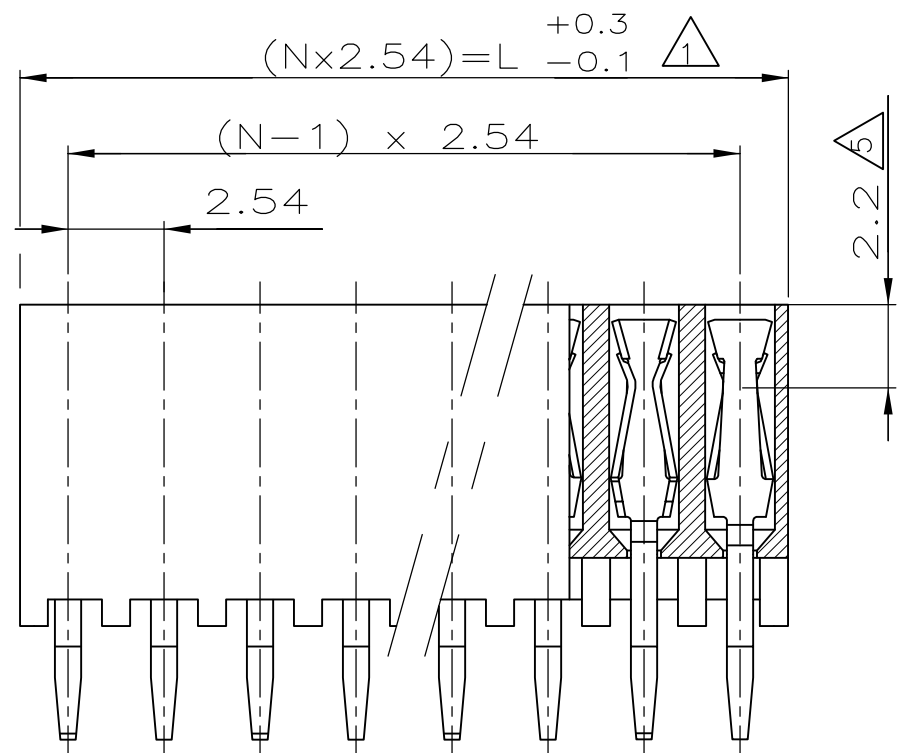
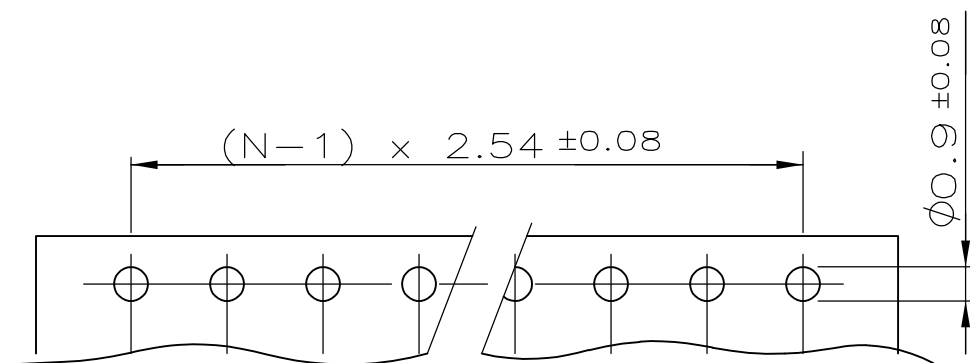
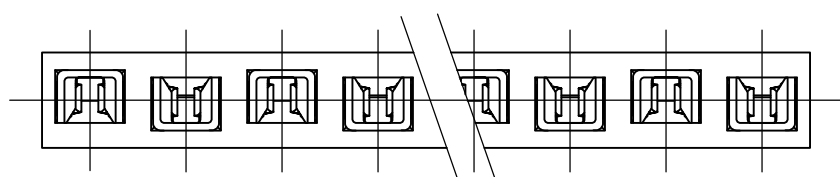


THIS DRAWING IS UNPUBLISHED. RELEASED FOR PUBLICATION  
 © COPYRIGHT - By - ALL RIGHTS RESERVED.

LOC	DIST	REVISIONS					
		P	LTR	DESCRIPTION	DATE	DWN	APVD
-	-	E		END STAND OFF WIDTH INCREASED	06JAN2016	KJK	PS



POS.	L	PART NUMBER
-	-	-
2	5.08	215 299-2
3	7.62	-3
4	10.16	-4
5	12.70	-5
6	15.24	-6
7	17.78	-7
8	20.32	-8
9	22.86	-9
10	25.40	1-
11	27.94	1-
12	30.48	1-
13	33.02	1-
14	35.56	1-
15	38.10	1-
16	40.64	1-
17	43.18	1-
18	45.72	1-
19	48.26	1-
20	50.80	2-
21	53.34	2-
22	55.88	2-
23	58.42	2-
24	60.96	2-
25	63.50	2-
26	66.04	2-
27	68.58	2-
28	71.12	2-
29	73.66	2-
30	76.20	3-
31	78.74	3-
32	81.28	3-
33	83.82	3-
34	86.36	3-
35	88.90	3-
36	91.44	3- 215 299-6



P.C.-BOARD HOLE-PATTERN

NOTES:

- TO DETERMINE DIMENSIONS TAKE N = NO. OF POS.  
 FOR EXAMPLE: 10 POS.: N x 2,54 = 25,4 mm.  
 FOR ORDER NO. USE BASIC NO. + NO. OF POS.  
 FOR EXAMPLE: 2 POS.= 215 299-2 (SHORTEST VERSION)  
 36 POS.= 3-215 299-6 (LONGEST VERSION)
- HOUSING MATERIAL: GREEN GLASSFILLED POLYESTER, UL 94V-0  
 CONTACT MATERIAL: PHOSPHOR BRONZE.
- PLATING: UNDERCOATING: 1,3µm Ni.  
 AT CONT.PLACE: 0,8µm Au.  
 AT SOLDER-TYNES: 3.0µm-5.0µm Sn
- MATES WITH 0,63 SQUARE/ROUND MODU POSTS.
- CONTACT-POINT.
- RECOMMENDED P.C.BOARD-THICKNESS: 1,6.
- RETENTION FEATURE.
- HV100 CONNECTOR PACKED IN ANTISTATIC BLISTER TRAY

VERWENDET FÜR  
E 92-9803

THIS DRAWING IS A CONTROLLED DOCUMENT.		DWN L.V.D.HEYDEN 09.07.86	TE Connectivity	
DIMENSIONS: mm		CHK W.SIMONS		
TOLERANCES UNLESS OTHERWISE SPECIFIED: ±0.1mm		APVD L.v.SOEST	PRODUCT SPEC	HV 100 VERTICAL CONNECTOR SINGLE ROW, 8,5mm HEIGHT, TOP ENTRY, GOLD, MAX 36 POS.
0 PLC ± - 1 PLC ± - 2 PLC ± - 3 PLC ± - 4 PLC ± - ANGLES ± -		108-19056 APPLICATION SPEC	SIZE CAGE CODE DRAWING NO A3 00779 C-215299	
MATERIAL SEE NOTES		FINISH SEE NOTES	WEIGHT -	RESTRICTED TO -
CUSTOMER DRAWING			SCALE 5:1	SHEET 1 OF 1